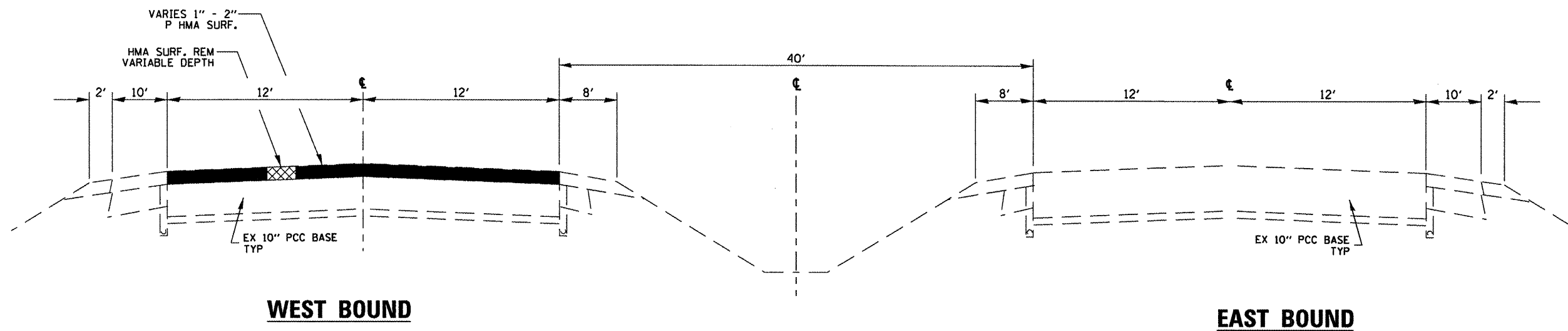


PROPOSED TYPICAL SECTION
 STA. 1018 + 61 – STA. 1020 + 64.21

••Bridge Omission
 Sta. 1020+64 to Sta. 1023+56



PROPOSED TYPICAL SECTION
 STA. 1023 + 56.21 – STA. 1025 + 90

FILE NAME =	USER NAME = petelijj	DESIGNED - RON WOODSHANK	REVISED -	STATE OF ILLINOIS DEPARTMENT OF TRANSPORTATION	TYPICAL SECTIONS		F.A.I. RTE.	SECTION	COUNTY	TOTAL SHEETS	SHEET NO.
es:\pwork\pwidot\petelijj\d026831\103669	9-shr-details.dgn	DRAWN - RON WOODSHANK	REVISED -				80	(06-4BR-11)	BUREAU	40	4
PLOT SCALE = 100:0 '1' / in.	CHECKED -	REVISIED -	REVISIED -		SCALE:	SHEET 1 OF 1 SHEETS	STA.	TO STA.	CONTRACT NO. 66B49		
PLOT DATE = 2/16/2012	DATE -	REVISIED -	REVISIED -		ILLINOIS FED. AID PROJECT						