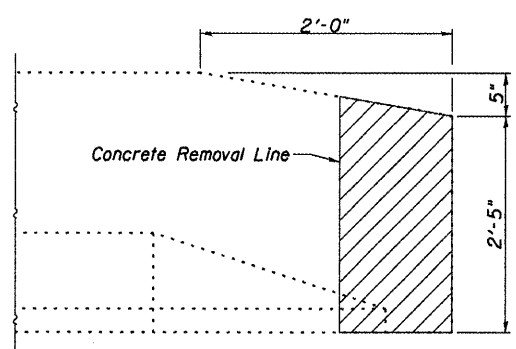
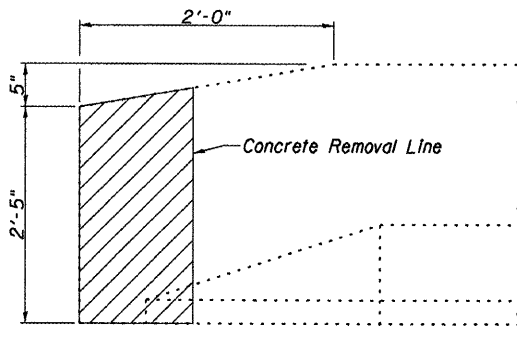


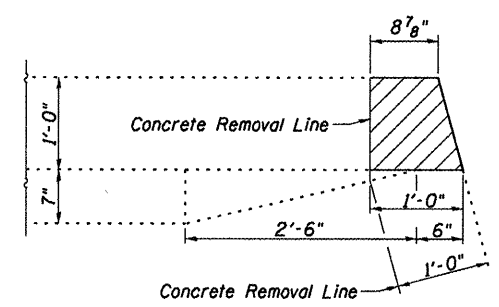
SUPERSTRUCTURE AT EAST ABUTMENT



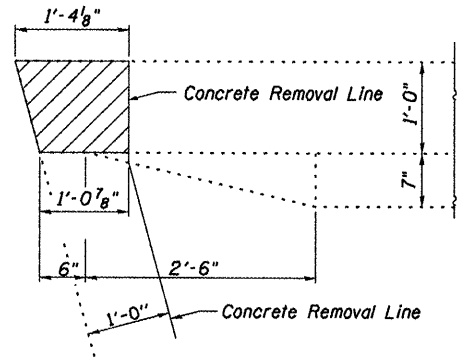
N.E. ELEVATION



S.E. ELEVATION



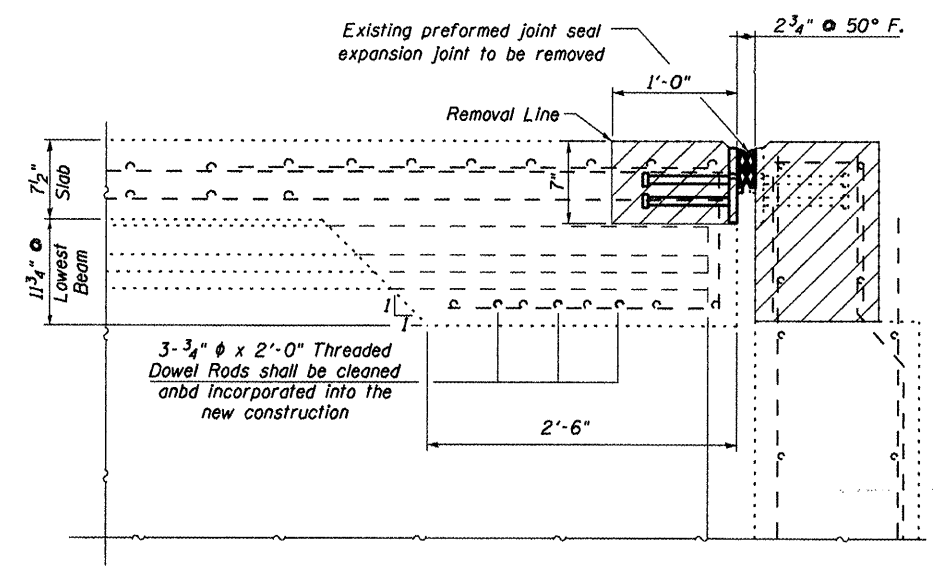
PLAN



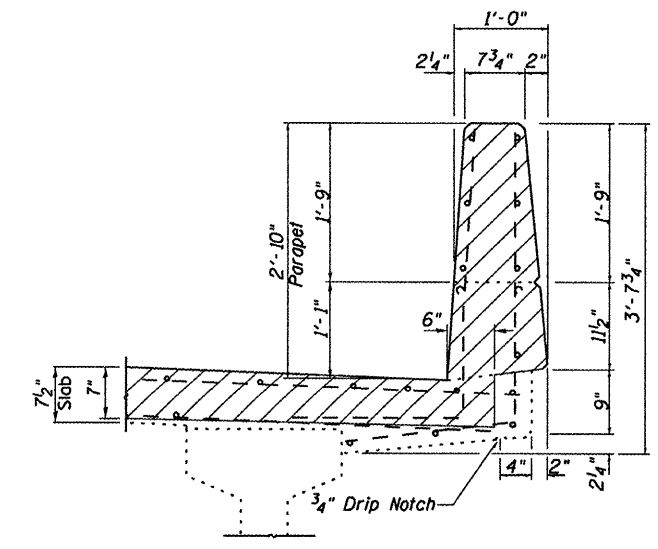
PLAN

PARAPET DETAILS

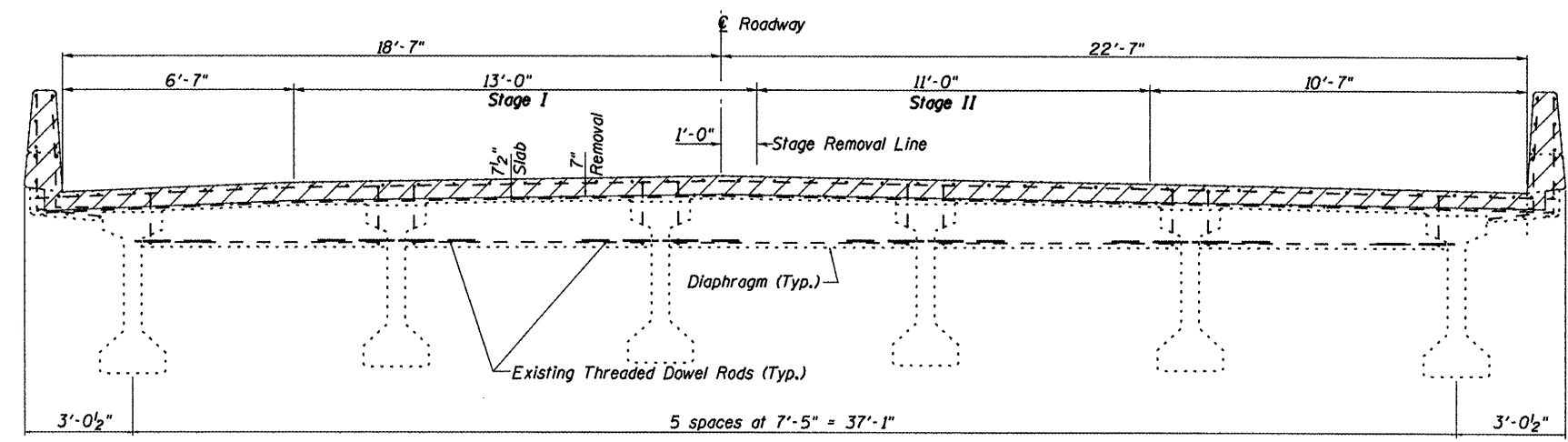
CONCRETE REMOVAL LIMITS



SECTION C-C
Measurements at Right L's



SECTION THRU PARAPET



CROSS SECTION AT EAST ABUTMENT

LOOKING WEST

FILE NAME =	USER NAME = pateluj	DESIGNED - RON WOODSHANK	REVISED -	STATE OF ILLINOIS DEPARTMENT OF TRANSPORTATION	SUPERSTRUCTURE REMOVAL DETAILS EAST ABUT. FOR STRUCTURE NO. 006-0152 (W.B.)	F.A.I. RTE.	SECTION	COUNTY	TOTAL SHEETS	SHEET NO.	
ci:\pw_work\pwidot\pateluj\026831\03668	9-shr-details.dgn	DRAWN - RON WOODSHANK	REVISED -			80	06-4BR-111	BUREAU	40	16	
PLOT SCALE = 100:0 1/2" / in.		CHECKED -	REVISED -			CONTRACT NO. 66B49					
PLOT DATE = 2/16/2012		DATE -	REVISED -			ILLINOIS FED. AID PROJECT					
					SCALE:	SHEET 4 OF 14 SHEETS		STA. 1020+64.21 TO STA. 1023+56.21			