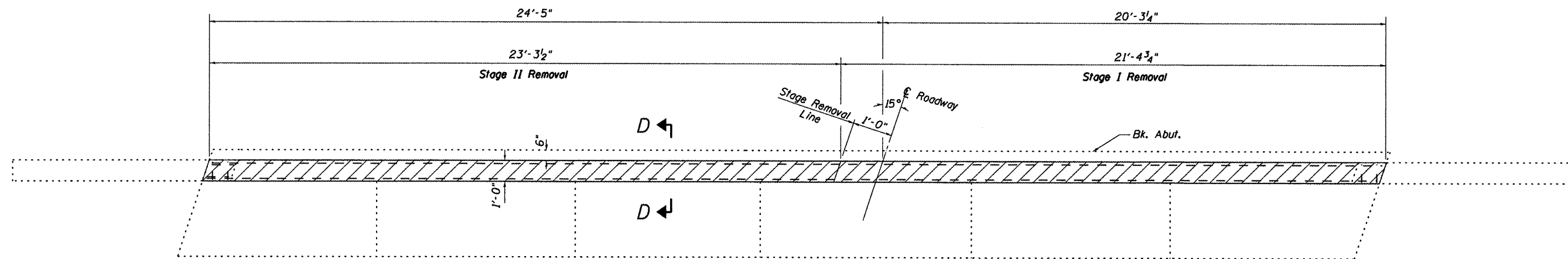
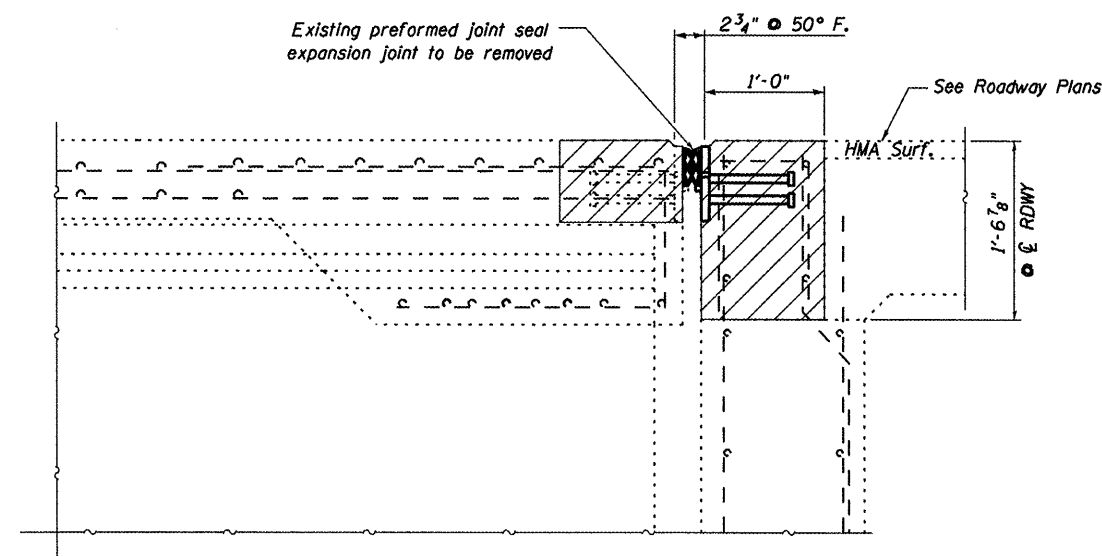


ELEVATION

 **CONCRETE REMOVAL LIMITS**



TOP VIEW



SECTION D-D
Measurements at Right L's

FILE NAME =	USER NAME = potelyj	DESIGNED - RON WOODSHANK	REVISED -
ct:\pw\work\puidot\potelyj\0268311\0368	9-shd-details.dgn	DRAWN - RON WOODSHANK	REVISED -
	PLOT SCALE = 100:0 '1' / in.	CHECKED -	REVISED -
	PLOT DATE = 2/16/2012	DATE -	REVISED -

STATE OF ILLINOIS
DEPARTMENT OF TRANSPORTATION

ABUTMENT REMOVAL DETAILS
EAST ABUT. FOR STRUCTURE NO. 006-0152 (W.B.)

SCALE: SHEET 5 OF 14 SHEETS STA. 1020+64.21 TO STA. 1023+56.21

F.A.I. RTE.	SECTION	COUNTY	TOTAL SHEETS	SHEET NO.
80	(06-4BR-111)	BUREAU	40	17
CONTRACT NO. 66B49			ILLINOIS FED. AID PROJECT	