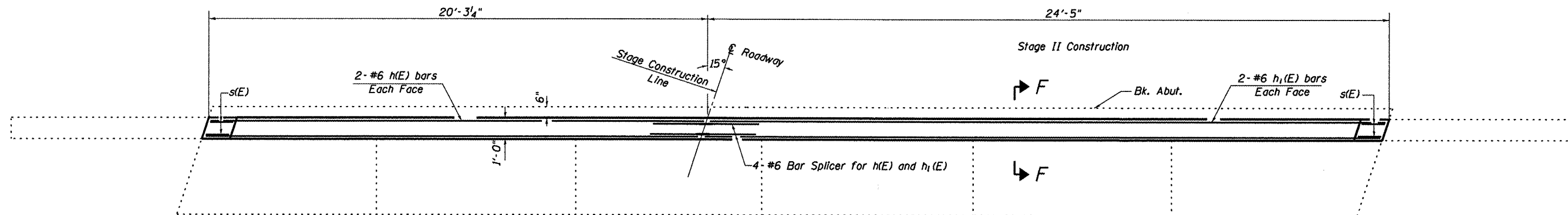
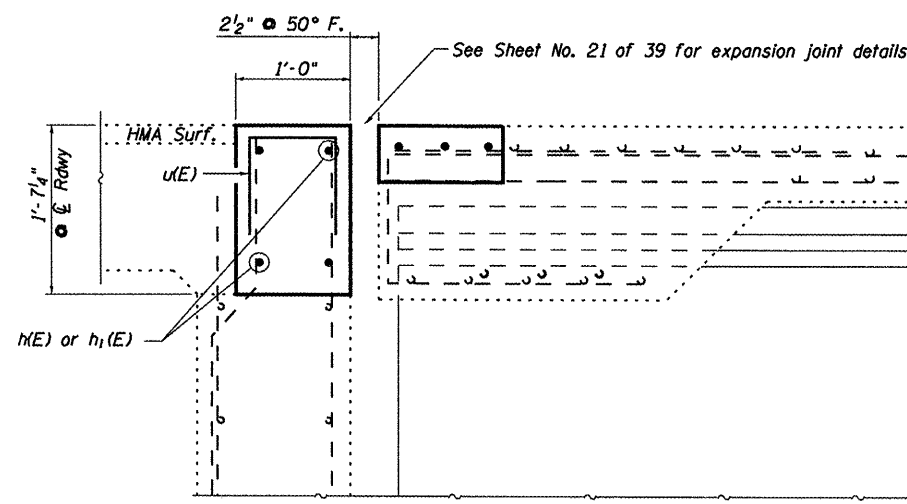


ELEVATION
LOOKING WEST



TOP VIEW



SECTION F-F
Measurements at Right L's

BILL OF MATERIAL

Bar	No.	Size	Length	Shape
h(E)	4	#6	19'-11"	—
h ₁ (E)	4	#6	24'-0"	—
s(E)	4	#4	4'-7"	J
u(E)	43	#5	2'-7"	Π
Concrete Removal			Cu. Yd.	2.4
Concrete Superstructure			Cu. Yd.	2.4
Reinforcement Bars Epoxy Coated			Lbs.	400

FILE NAME =	USER NAME = poteluj	DESIGNED - RON WOODSHANK	REVISED -
ct:\pwwork\pwwork\poteluj\d026831\1\03668	9-shd-details.dgn	DRAWN - RON WOODSHANK	REVISED -
	PLOT SCALE = 100:0' / in.	CHECKED -	REVISED -
	PLOT DATE = 2/16/2012	DATE -	REVISED -

STATE OF ILLINOIS
DEPARTMENT OF TRANSPORTATION

ABUTMENT CONSTRUCTION DETAILS
WEST ABUT. FOR STRUCTURE NO. 006-0152 (W.B.)

F.A.I. RTE.	SECTION	COUNTY	TOTAL SHEETS	SHEET NO.
80	(06-4BR-11)	BUREAU	40	19
CONTRACT NO. 66B49				
ILLINOIS FED. AID PROJECT				

SCALE: SHEET 7 OF 14 SHEETS STA. 1020+64.21 TO STA. 1023+56.21