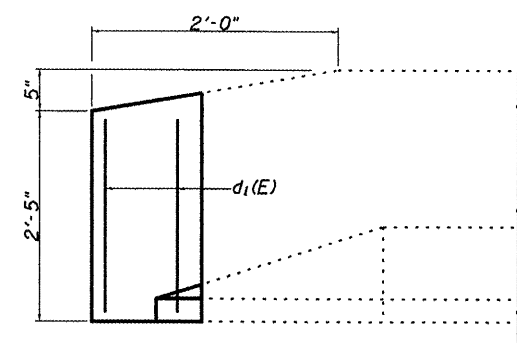
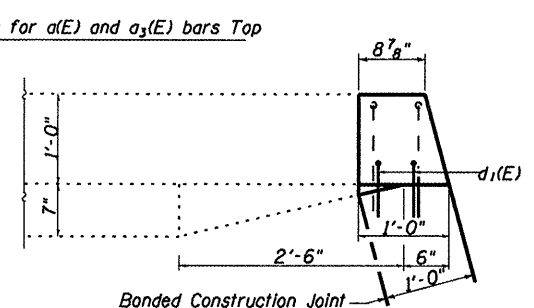


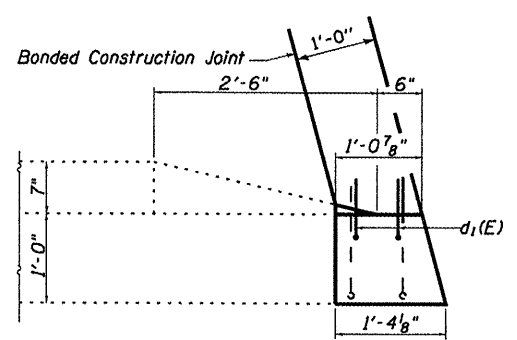
N.E. ELEVATION



S.E. ELEVATION

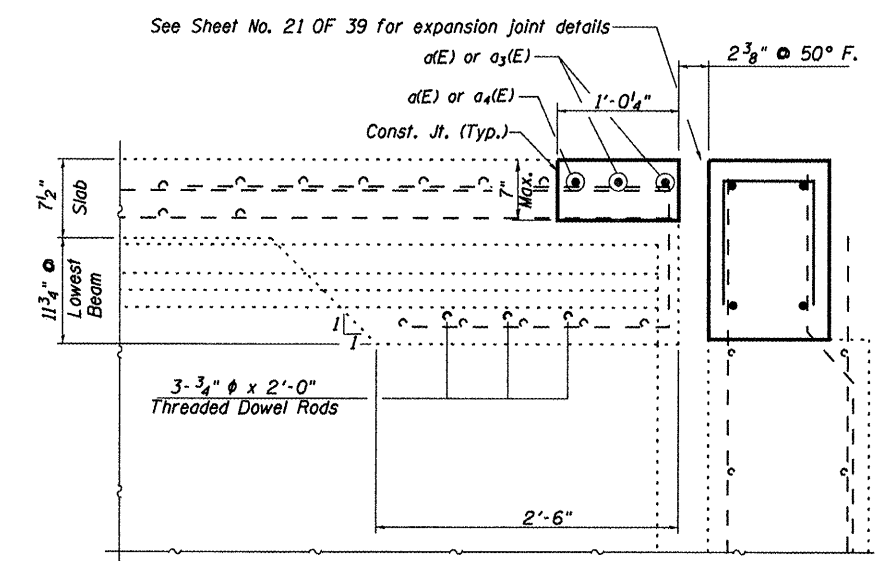


PLAN

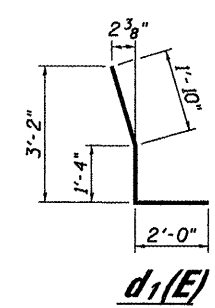


PLAN

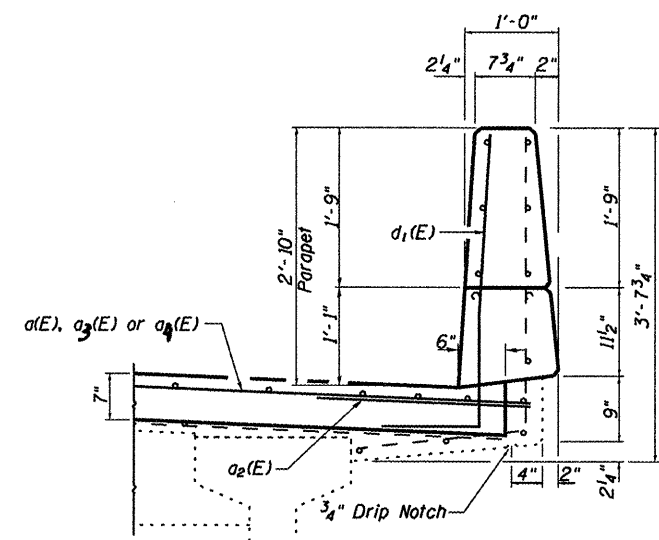
CORNER DETAILS



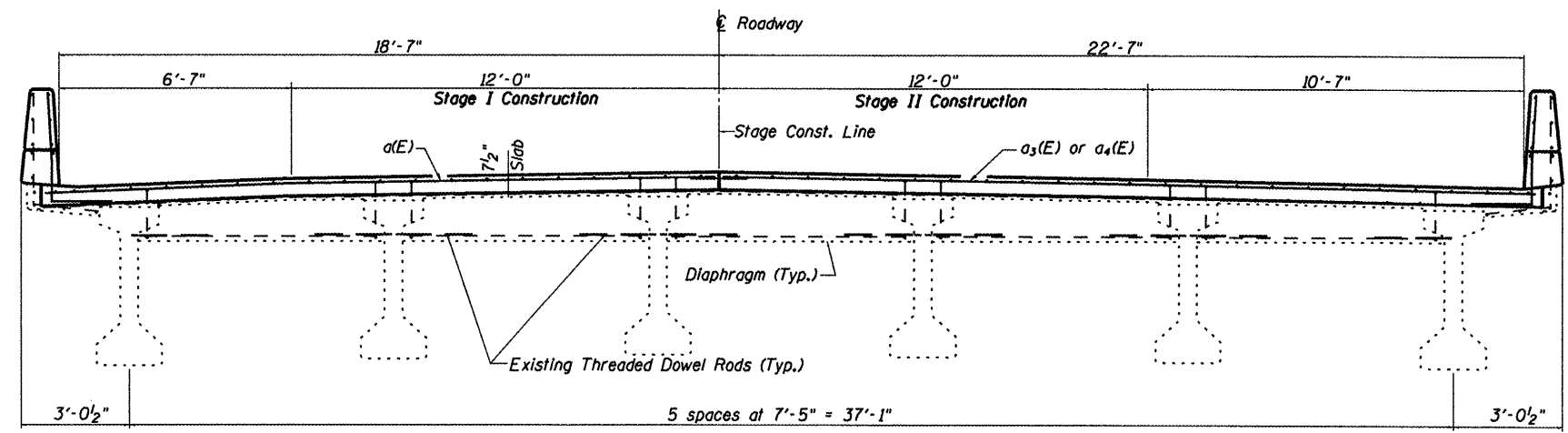
SECTION G-G
Measurements at Right L's



d1(E)



SECTION THRU PARAPET



CROSS SECTION AT EAST ABUTMENT
LOOKING WEST

BILL OF MATERIAL

Bar	No.	Size	Length	Shape
a1(E)	3	#7	19'-4"	—
a2(E)	2	#6	4'-0"	—
a3(E)	2	#7	23'-6"	—
a4(E)	1	#7	23'-0"	—
d1(E)	4	#5	5'-2"	L
Concrete Removal		Cu. Yd.	1.1	
Concrete Superstructure		Cu. Yd.	1.1	
Reinforcement Bars		Lbs.	300	
Epoxy Coated				