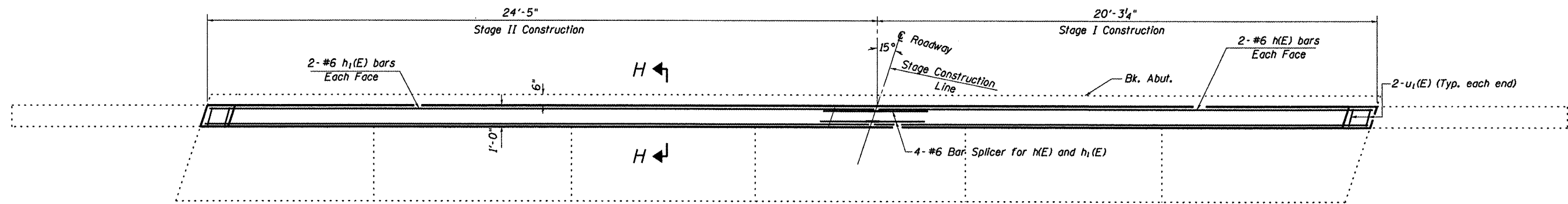
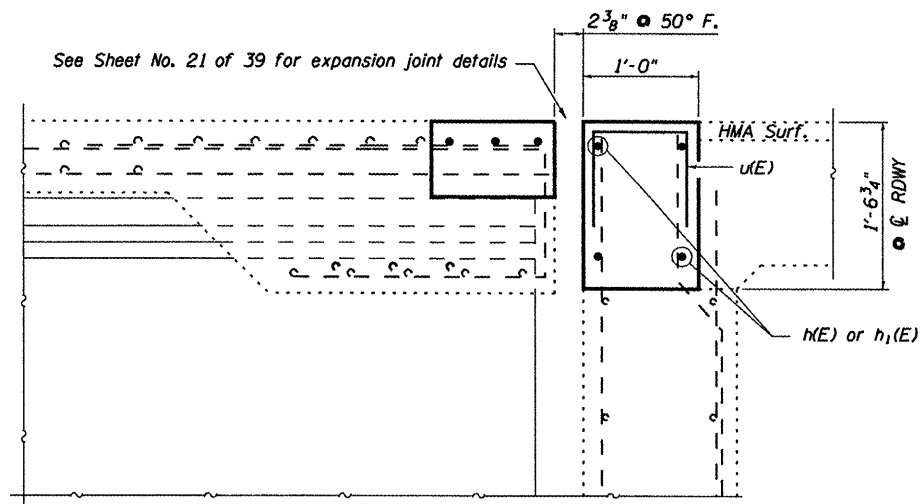
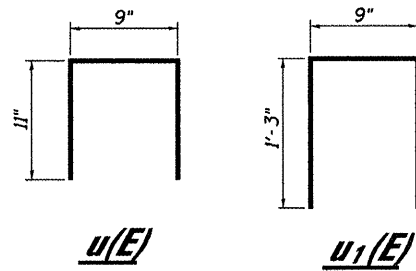


**ELEVATION**  
LOOKING WEST



**TOP VIEW**



**SECTION H-H**  
Measurements at Right L's

**BILL OF MATERIAL**

Bar	No.	Size	Length	Shape
h(E)	4	#6	19'-11"	—
h1(E)	4	#6	24'-0"	—
u(E)	43	#5	2'-7"	U
u1(E)	4	#4	3'-3"	U
Concrete Removal			Cu. Yd.	2.4
Concrete Superstructure			Cu. Yd.	2.4
Reinforcement Bars			Lbs.	390
Epoxy Coated				

FILE NAME :	USER NAME = petelyj	DESIGNED - RON WOODSHANK	REVISED -
ci:\pw_work\p\ridot\petelyj\d0268311\03668	9-sh-t-details.dgn	DRAWN - RON WOODSHANK	REVISED -
	PLOT SCALE = 100:0 ' / in.	CHECKED -	REVISED -
	PLOT DATE = 2/16/2012	DATE -	REVISED -

STATE OF ILLINOIS  
DEPARTMENT OF TRANSPORTATION

ABUTMENT CONSTRUCTION DETAILS  
EAST ABUT. FOR STRUCTURE NO. 006-0152 (W.B.)

SCALE: SHEET 9 OF 14 SHEETS STA. 1020+64.21 TO STA. 1023+56.21

F.A.I. RTE.:	SECTION	COUNTY	TOTAL SHEETS	SHEET NO.
80	(06-4BR-11)	BUREAU	40	21
CONTRACT NO. 66B49				
ILLINOIS FED. AID PROJECT				