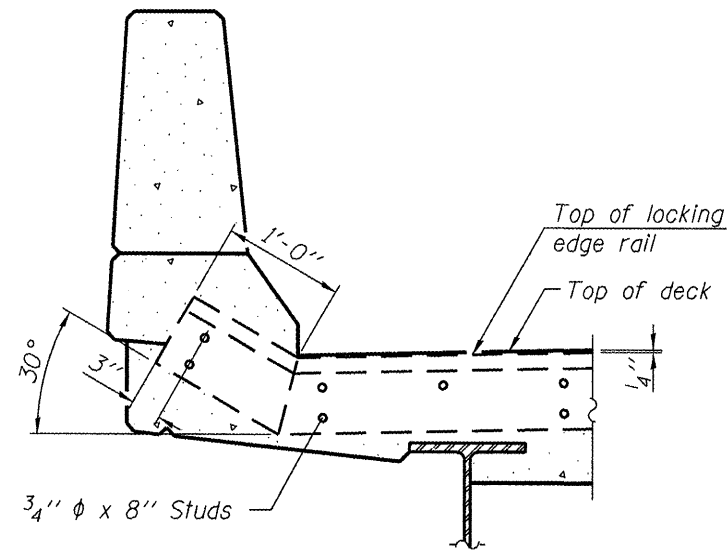
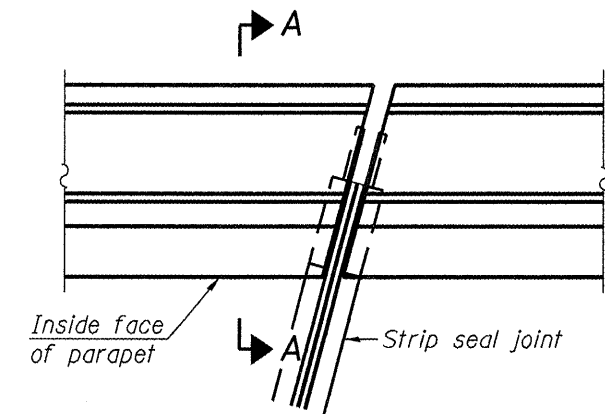


**SECTION THRU STRIP SEAL JOINT
FOR OVERLAY OVER DECK BEAMS**



SECTION A-A



**PLAN
(For skews ≤ 30°)**

Notes:

The strip seal shall be made continuous and shall have a minimum thickness of 1/4". The configuration of the strip seal shall match the configuration of the Locking Edge Rails. Open or "webbed" strip seal gland configurations are not permitted. The gland shall be sized for a maximum rated movement of 4 inches.

The Locking Edge Rails depicted are conceptual only, except for the minimum dimensions shown. The actual configuration of the Locking Edge Rails and matching strip seal may vary from manufacturer to manufacturer. Flanged edge rails will not be allowed. Locking Edge Rails may be spliced at slope discontinuities.

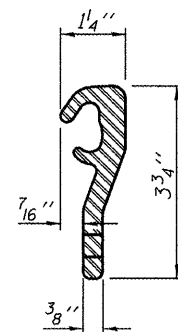
The manufacturer's recommended installation methods shall be followed.

The joint opening and deck dimensions detailed on the superstructure are based on a rolled rail expansion joint. If the Contractor elects to use the welded rail expansion joint, the opening and deck dimensions shall be modified according to the dimensions detailed on this sheet. Required modifications shall be made at no additional cost to the State.

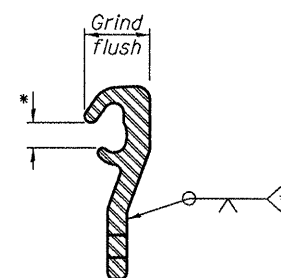
All steel components shall be galvanized after fabrication according to Article 520.03 of the Standard Specifications.

Maximum space between rail segments at stage lines shall be 3/16", sealed with a suitable sealant.

Parapet plates and anchorage studs for skews > 30° included in the cost of Preformed Joint Strip Seal.



LOCKING EDGE RAIL



LOCKING EDGE RAIL SPLICE

STRIP SEAL EXPANSION JOINT AT WEST ABUTMENT

**TWO EXPANSION JOINTS
BILL OF MATERIAL**

Item	Unit	Total
Preformed Joint Strip Seal	Foot	88

FILE NAME =	USER NAME = pateluj	DESIGNED - RON WOODSHANK	REVISED -	STATE OF ILLINOIS DEPARTMENT OF TRANSPORTATION	STRIP SEAL EXPANSION JOINT DETAILS FOR STRUCTURE NO. 006-0152 (W.B.)	F.A.I. RTE.	SECTION	COUNTY	TOTAL SHEETS	SHEET NO.
ci:\pw_work\puidot\pateluj\d0268311\0366B	9-shit-details.dgn	DRAWN - RON WOODSHANK	REVISED -			80	106-4BR-111	BUREAU	40	22
PLOT SCALE = 100.0 % / in.		CHECKED -	REVISED -			CONTRACT NO. 66B49		ILLINOIS FED. AID PROJECT		
PLOT DATE = 2/16/2012		DATE -	REVISED -			SCALE:	SHEET 10 OF 14 SHEETS	STA. 1020+64.21 TO STA. 1023+56.21		