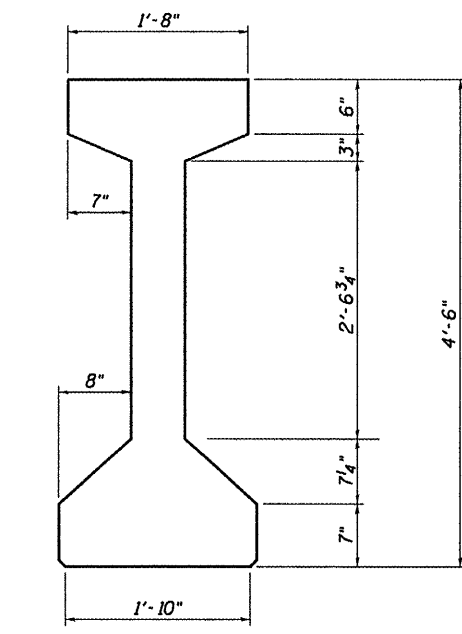
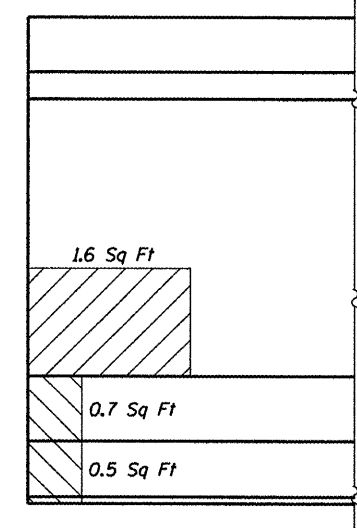


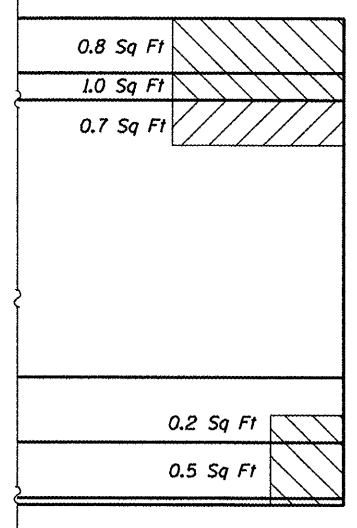
FRAMING PLAN



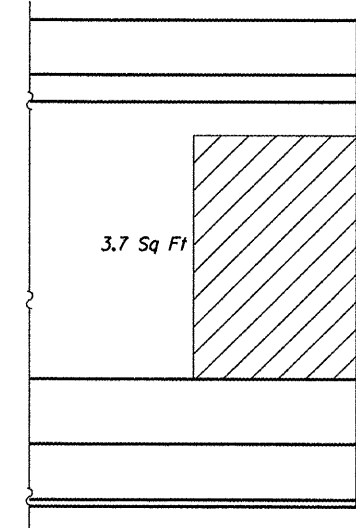
PPC I-BEAM 54"



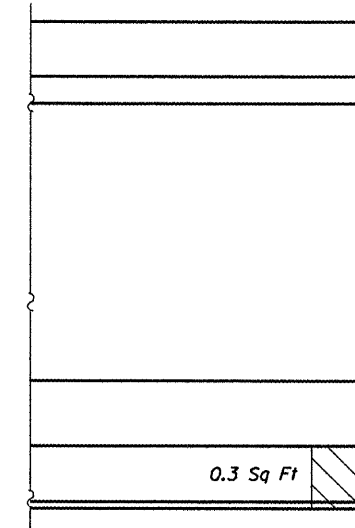
BEAM 1
A



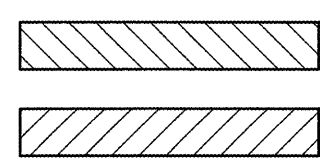
BEAM 1
B



BEAM 2
C



BEAM 6
D



STRUCTURAL REPAIR OF CONCRETE
(DEPTH EQUAL TO OR LESS THAN 5")

POLYMER MODIFIED PORTLAND CEMENT MORTAR

BILL OF MATERIAL

Item	Unit	Total
STRUCTURAL REPAIR OF CONCRETE (DEPTH EQUAL TO OR LESS THAN 5")	Sq Ft	4
POLYMER MODIFIED PORTLAND CEMENT MORTAR	Sq Ft	6