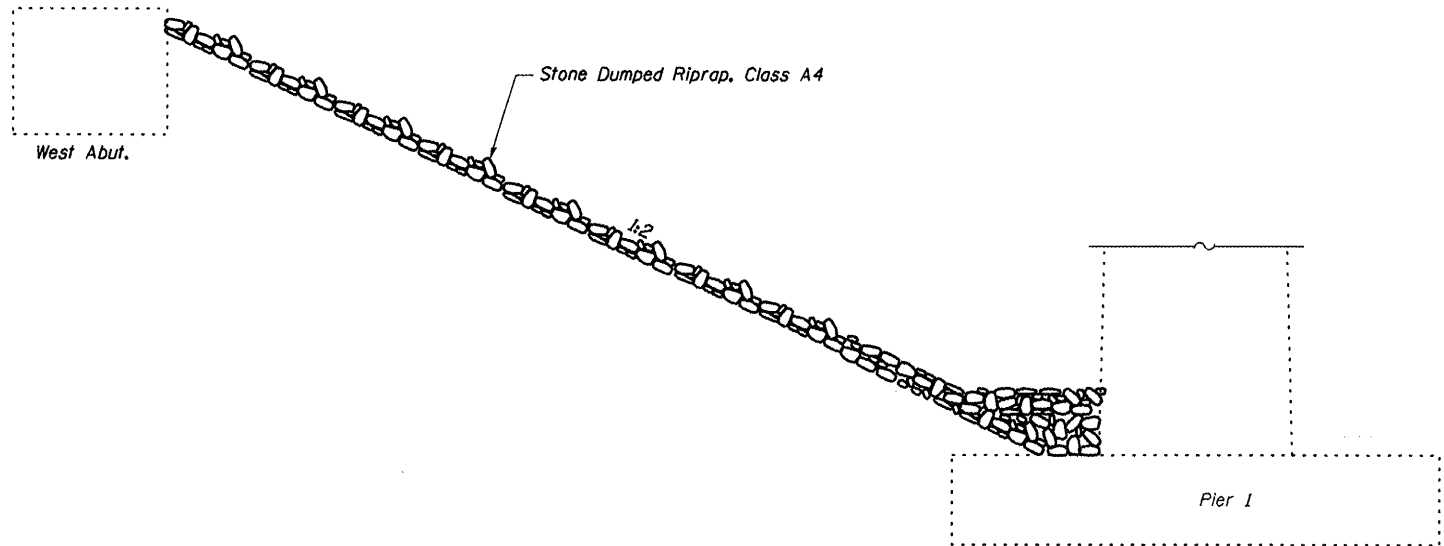
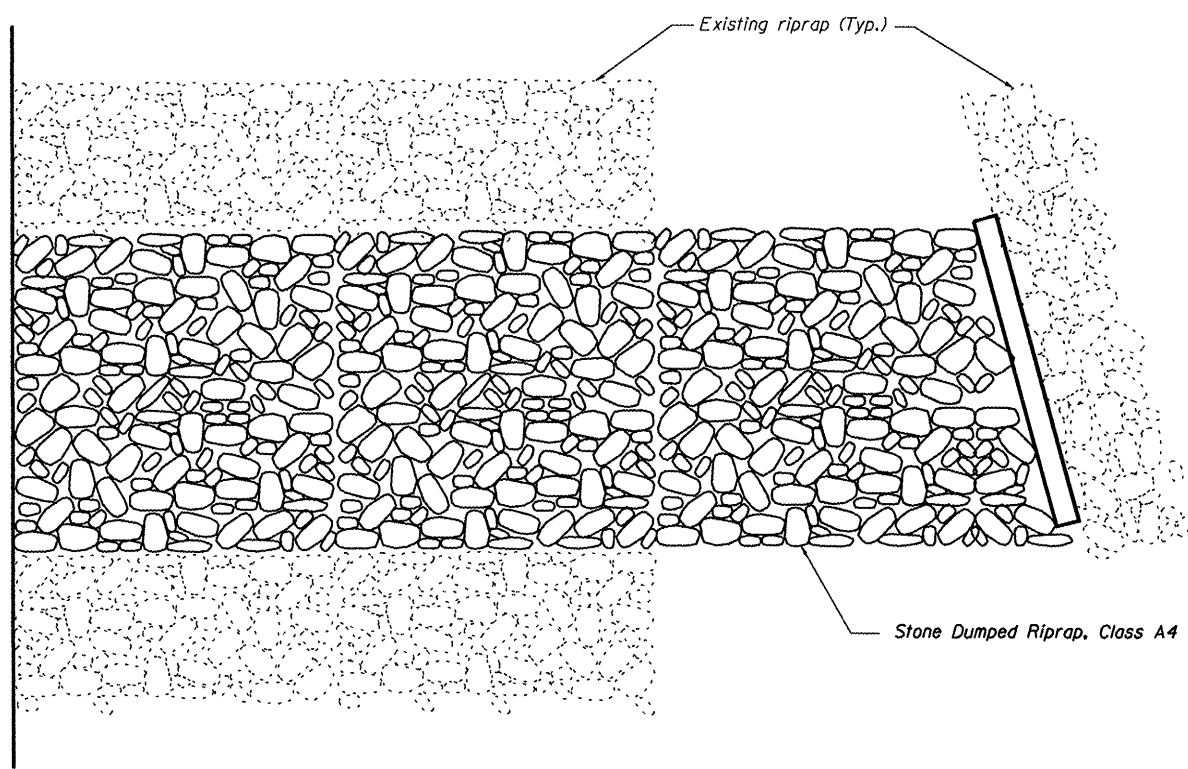
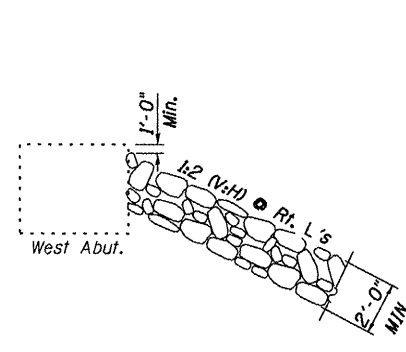


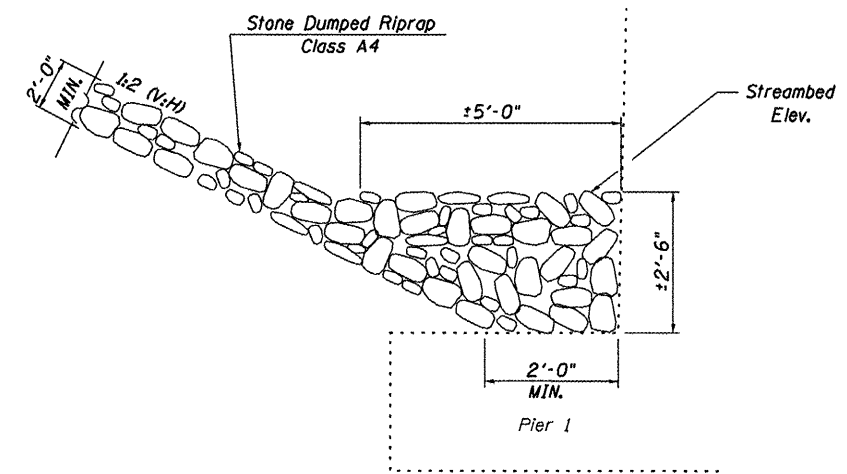
SLOPE WALL
EXISTING



SECTION AT WEST ABUTMENT



DETAIL AT ABUTMENT



DETAIL AT TOE OF SLOPE

BILL OF MATERIAL

Item	Unit	Total
Slope Wall Breaking	Sq Yd	504
Stone Dumped Riprap, Class A4	Ton	454