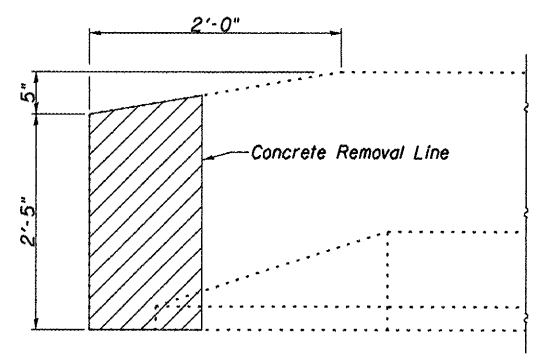
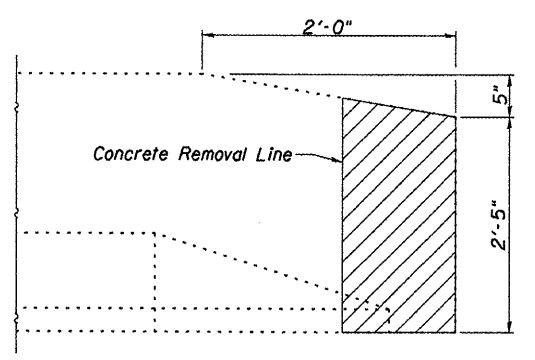


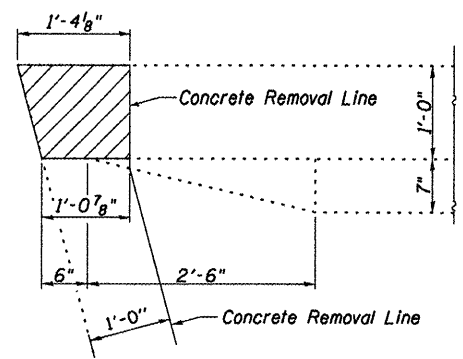
SUPERSTRUCTURE AT WEST ABUTMENT



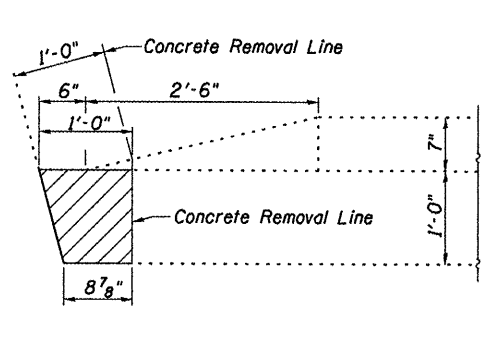
N.W. ELEVATION



S.W. ELEVATION



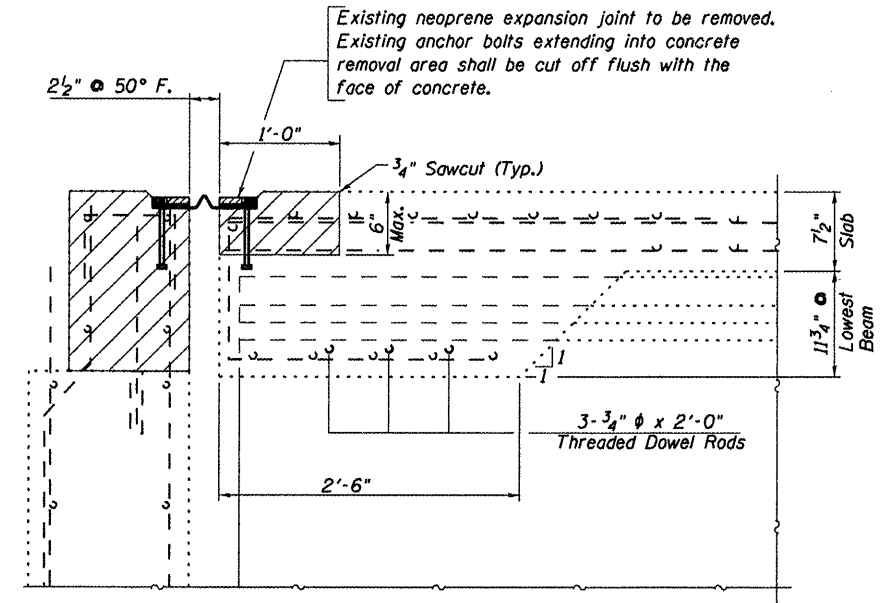
PLAN



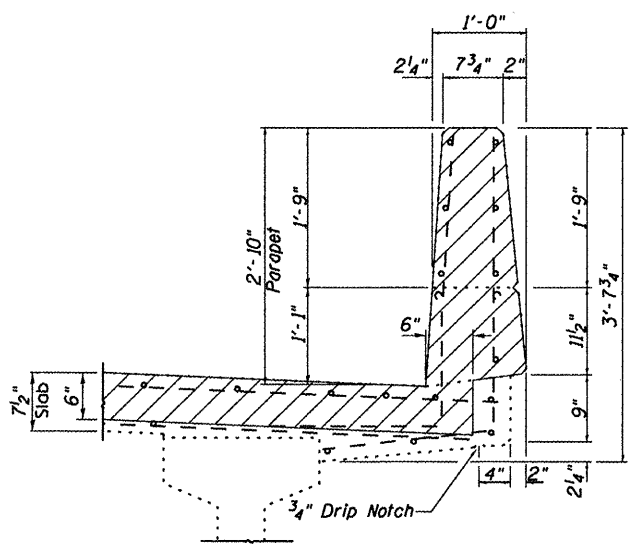
PLAN

PARAPET DETAILS

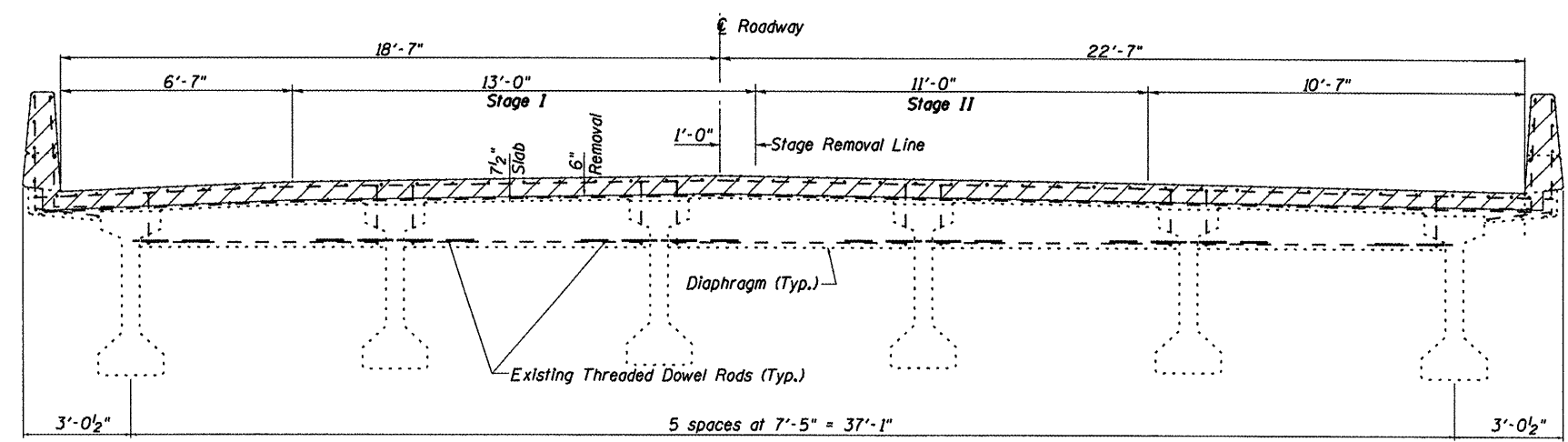
CONCRETE REMOVAL LIMITS



SECTION A-A
Measurements at Right L's



SECTION THRU PARAPET



CROSS SECTION AT WEST ABUTMENT

LOOKING EAST

FILE NAME =	USER NAME = poteluj	DESIGNED - RON WOODSHANK	REVISED -	STATE OF ILLINOIS DEPARTMENT OF TRANSPORTATION	SUPERSTRUCTURE REMOVAL DETAILS WEST ABUT. FOR STRUCTURE NO. 006-0151 (E.B.)	F.A.I. RTE.:	SECTION	COUNTY	TOTAL SHEETS	SHEET NO.	
ct:\pw_work\pwidot\poteluj\d0268311\03688	9-shr-details.dgn	DRAWN - RON WOODSHANK	REVISED -			80	(06-4BR-11)	BUREAU	40	28	
PLOT SCALE = 100:0 1' / in.		CHECKED -	REVISED -			CONTRACT NO. 66B49					
PLOT DATE = 2/16/2012		DATE -	REVISED -			ILLINOIS FED. AID PROJECT					