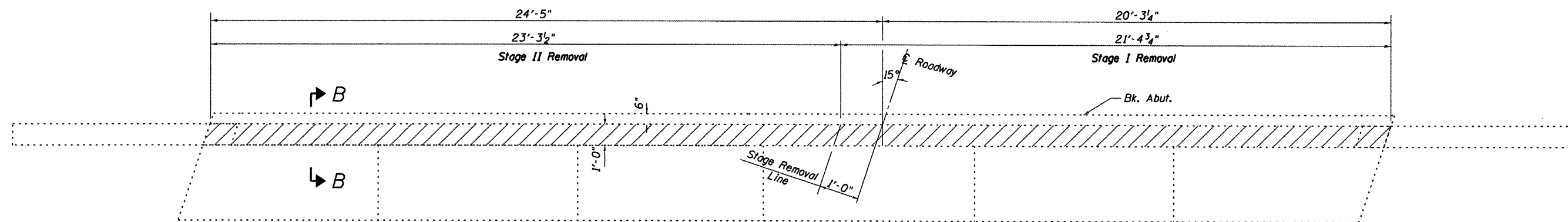


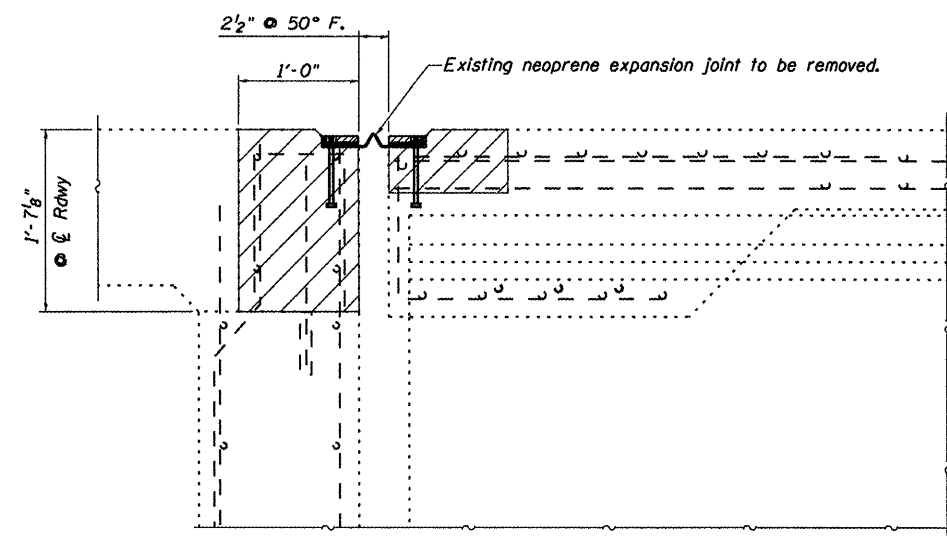
ELEVATION

 **CONCRETE REMOVAL LIMITS**



TOP VIEW

Note: Transverse reinforcement not shown for clarity



SECTION B-B
Measurements of Right L's

FILE NAME =
c:\pw_work\pwidot\patel\j\d026831\0368

USER NAME = pateluj
9-shr-details.dgn
PLOT SCALE = 100:0 1/2" / in.
PLOT DATE = 2/16/2012

DESIGNED - RON WOODSHANK
DRAWN - RON WOODSHANK
CHECKED -
DATE -

REVISED -
REVISED -
REVISED -
REVISED -

STATE OF ILLINOIS
DEPARTMENT OF TRANSPORTATION

ABUTMENT REMOVAL DETAILS
WEST ABUT. FOR STRUCTURE NO. 006-0151 (E.B.)

SCALE: SHEET 3 OF 14 SHEETS STA. 1020+87.79 TO STA. 1023+79.79

F.A.I. RTE.	SECTION	COUNTY	TOTAL SHEETS	SHEET NO.
80	06-4BR-111	BUREAU	40	29
CONTRACT NO. 66B49			ILLINOIS FED. AID PROJECT	