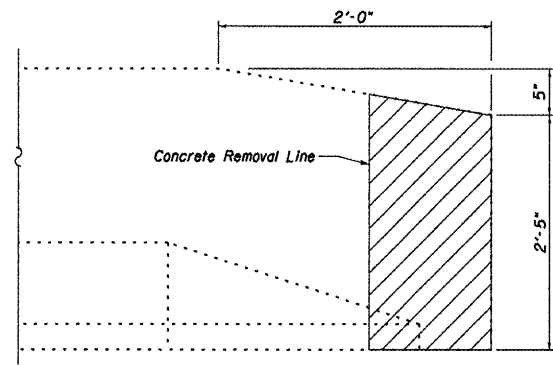
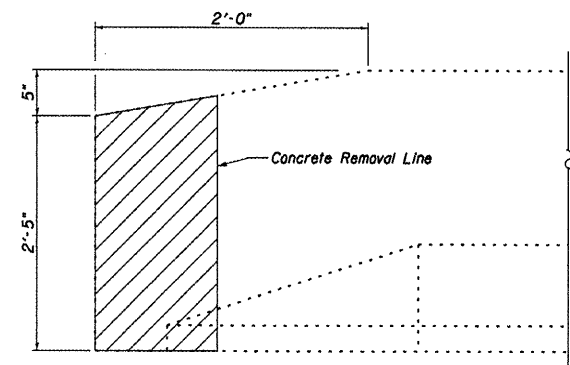


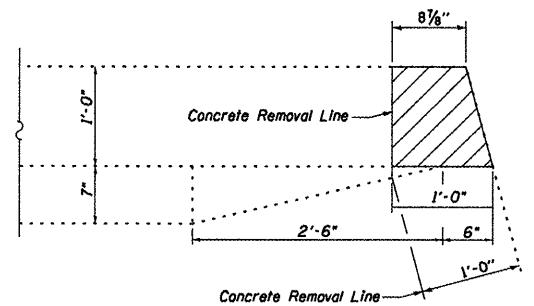
SUPERSTRUCTURE AT EAST ABUTMENT



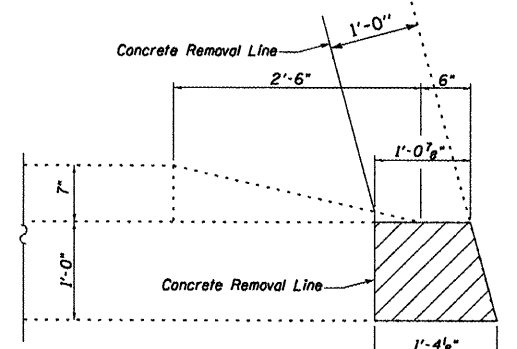
N.E. ELEVATION



S.E. ELEVATION



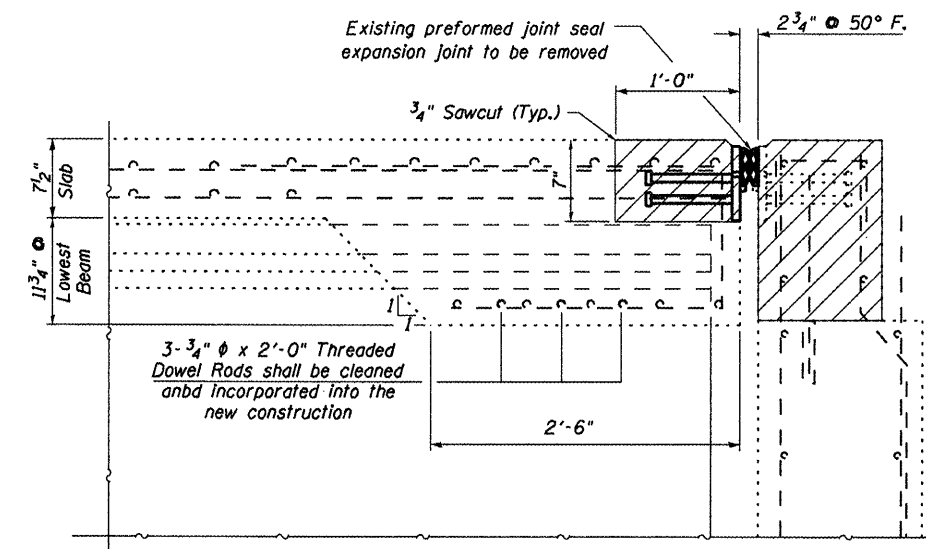
PLAN



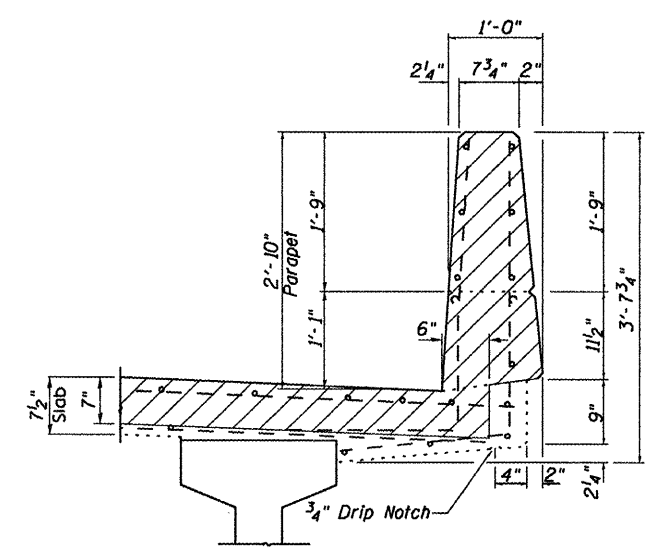
PLAN

PARAPET DETAILS

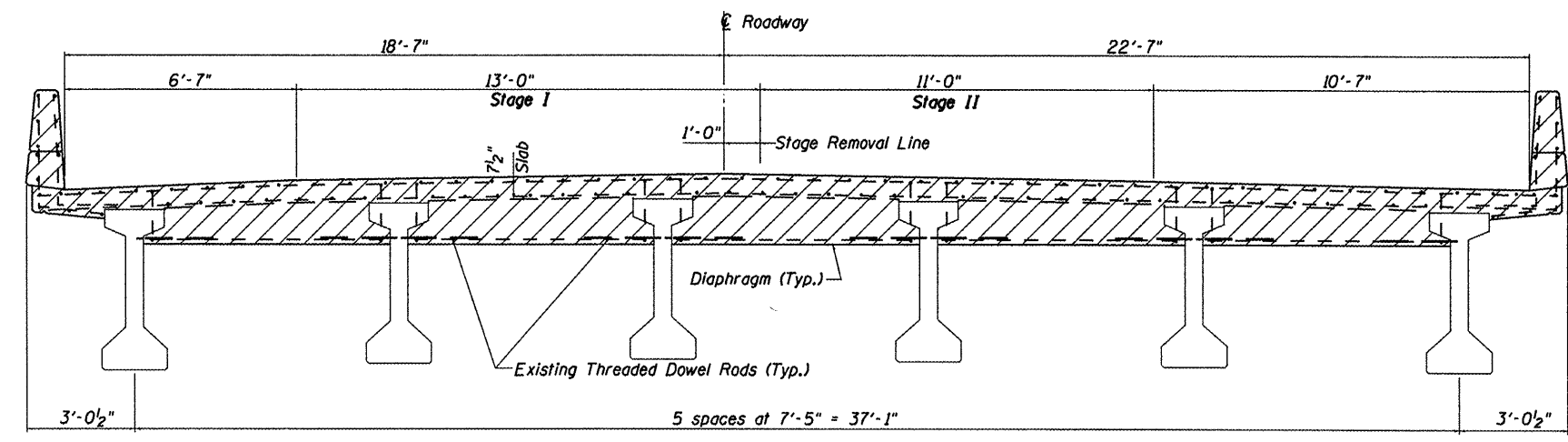
CONCRETE REMOVAL LIMITS



SECTION C-C
Measurements at Right L's



SECTION THRU PARAPET



CROSS SECTION AT EAST ABUTMENT

LOOKING EAST

FILE NAME =	USER NAME = patelj	DESIGNED - RON WOODSHANK	REVISED -	STATE OF ILLINOIS DEPARTMENT OF TRANSPORTATION	SUPERSTRUCTURE REMOVAL DETAILS EAST ABUT. FOR STRUCTURE NO. 006-0151 (E.B.)	F.A.I. RTE.	SECTION	COUNTY	TOTAL SHEETS	SHEET NO.	
cr\pwwork\pwwork\patelj\4826831\1\03688	9-shr-details.dgn	DRAWN - RON WOODSHANK	REVISED -			80	(06-48R-11)	BUREAU	40	30	
PLOT SCALE = 100:8' = 1" = 10'		CHECKED -	REVISED -			SCALE: SHEET 4 OF 14 SHEETS STA. 1020+87.79 TO STA. 1023+79.79		CONTRACT NO. 66B49			
PLOT DATE = 2/16/2012		DATE -	REVISED -			ILLINOIS FED. AID PROJECT					