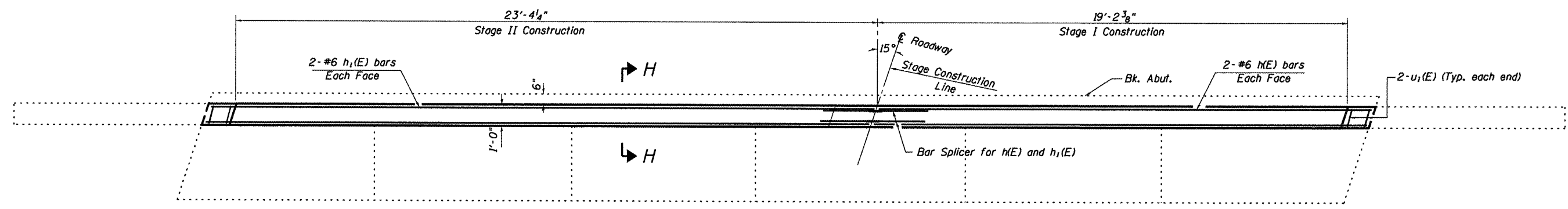
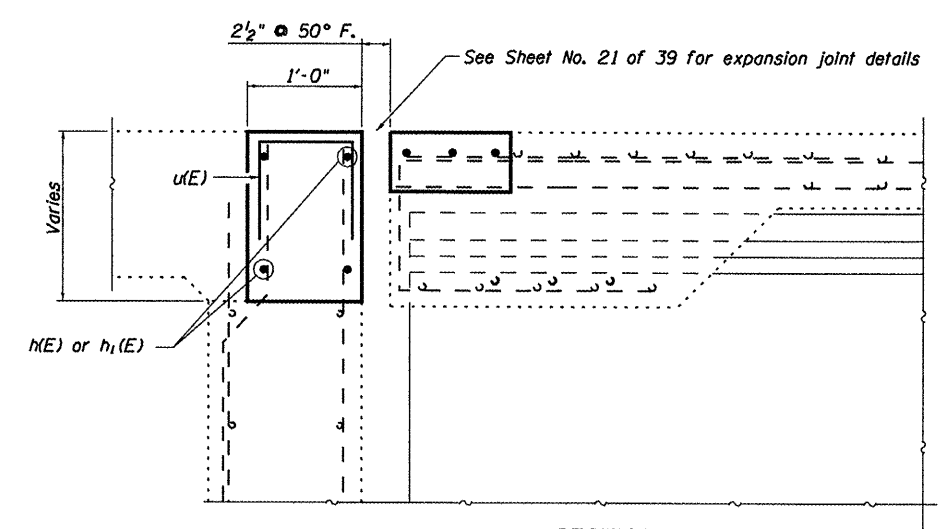
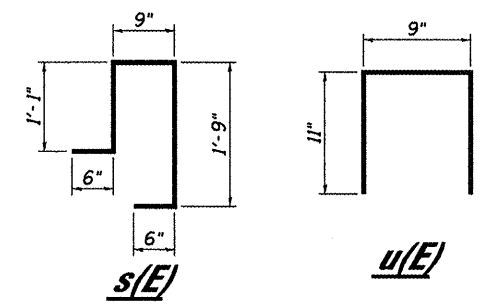


ELEVATION
LOOKING WEST



TOP VIEW



SECTION F-F
Measurements at Right L's

BILL OF MATERIAL

Bar	No.	Size	Length	Shape
h(E)	4	#6	19'-11"	—
h1(E)	4	#6	24'-0"	—
s(E)	4	#4	4'-7"	J
u(E)	43	#5	2'-7"	Π
Concrete Removal			Cu. Yd.	2.4
Concrete Superstructure			Cu. Yd.	2.4
Reinforcement Bars			Lbs.	400
Epoxy Coated				