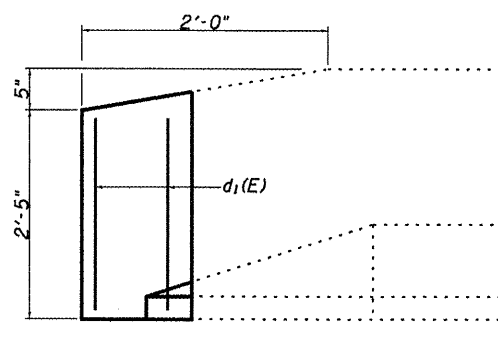
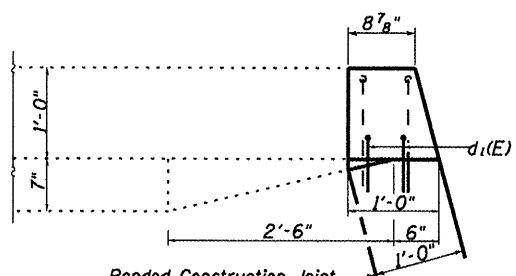


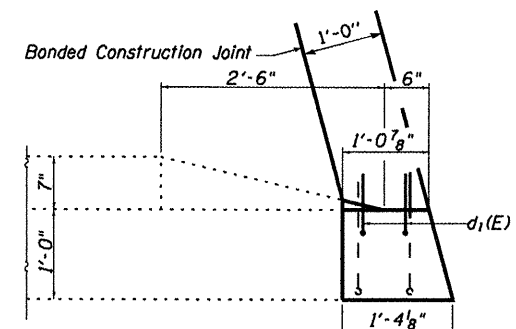
N.E. ELEVATION



S.E. ELEVATION

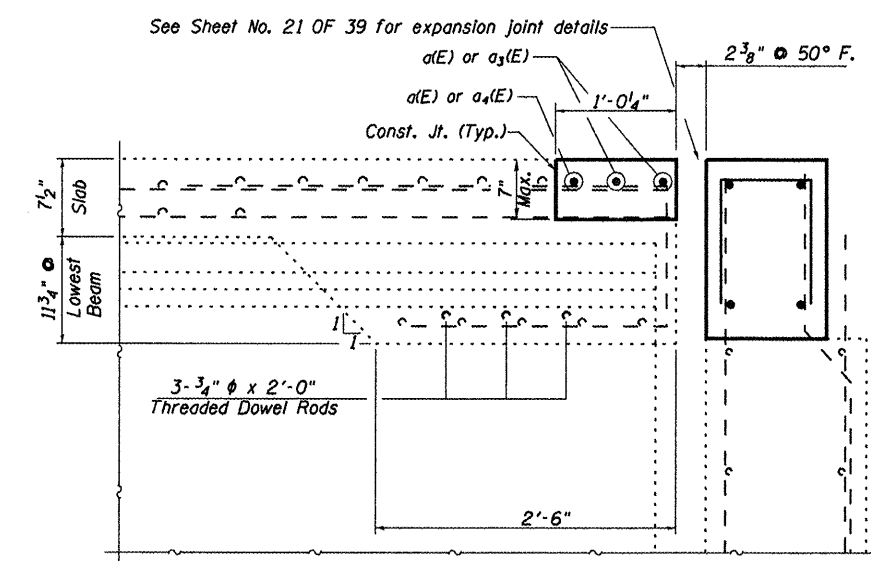


PLAN

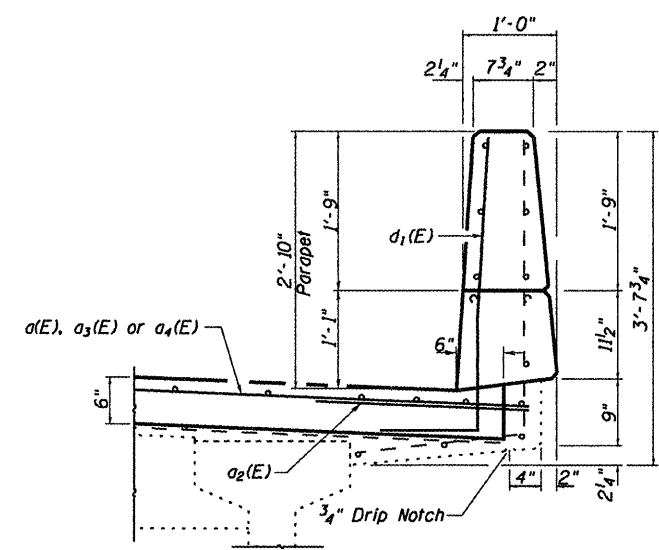


PLAN

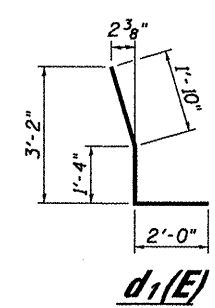
CORNER DETAILS



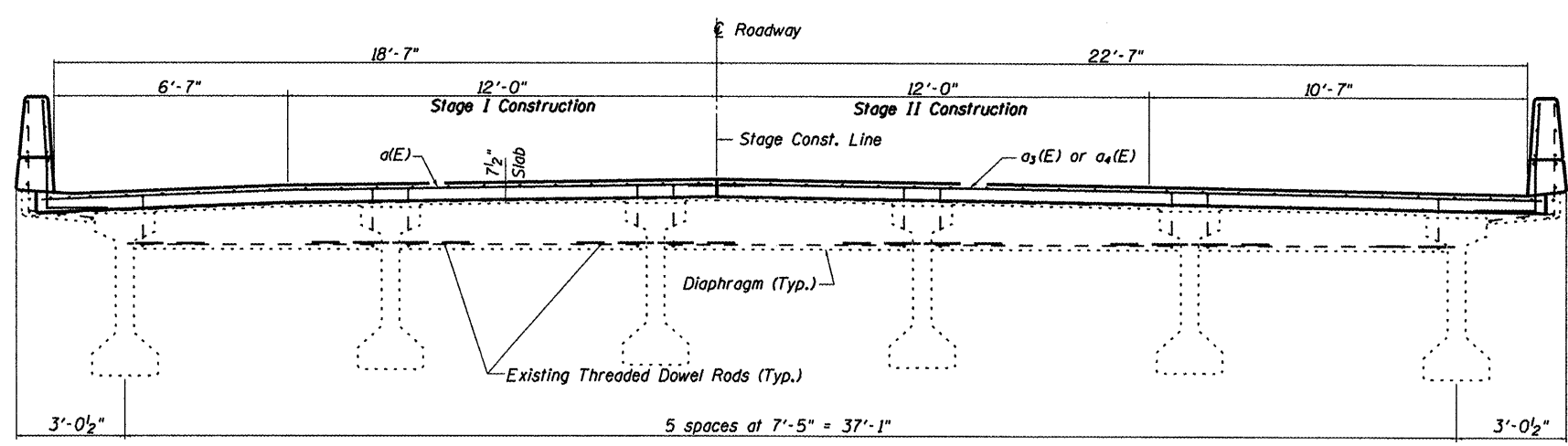
SECTION G-G
Measurements at Right L's



SECTION THRU PARAPET



d1(E)



CROSS SECTION AT WEST ABUTMENT
LOOKING EAST

BILL OF MATERIAL

Bar	No.	Size	Length	Shape
a(E)	3	#7	19'-4"	—
a2(E)	2	#6	4'-0"	—
a3(E)	2	#7	23'-6"	—
a4(E)	1	#7	23'-0"	—
d1(E)	4	#5	5'-2"	L
Concrete Removal			Cu. Yd.	1.1
Concrete Superstructure			Cu. Yd.	1.1
Reinforcement Bars			Lbs.	300
Epoxy Coated				