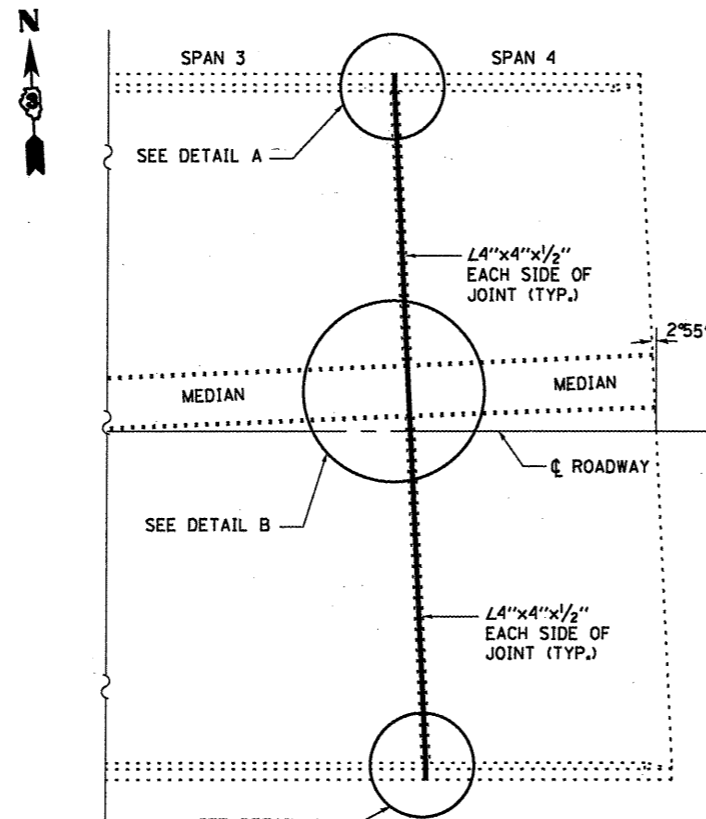
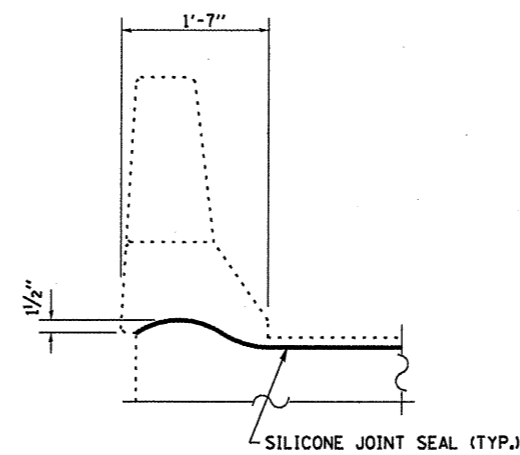


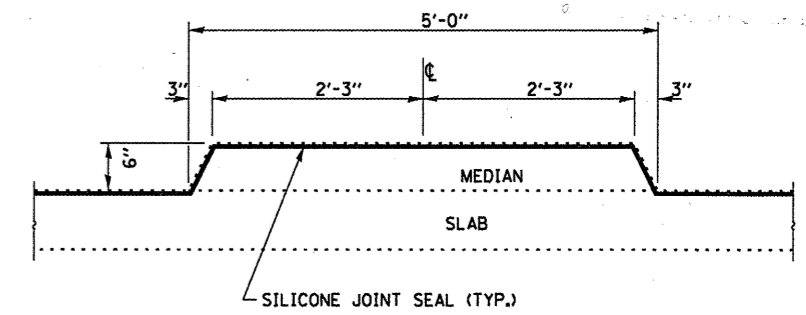
**PLAN
WEST ABUT.**



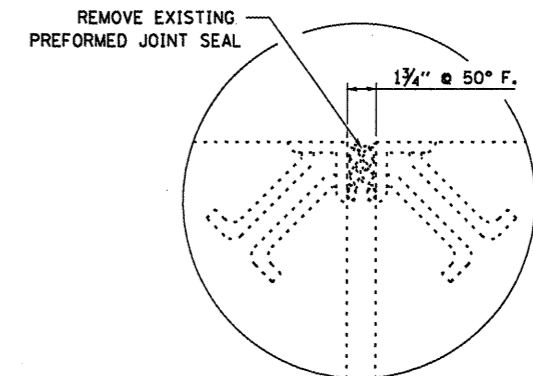
**PLAN
EAST ABUT.**



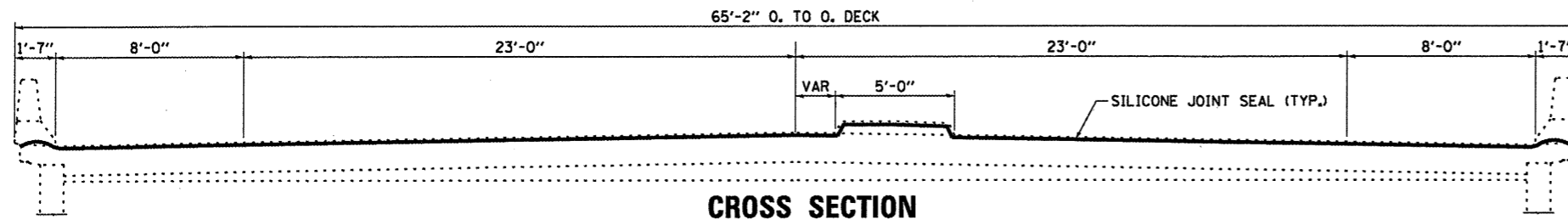
DETAIL A



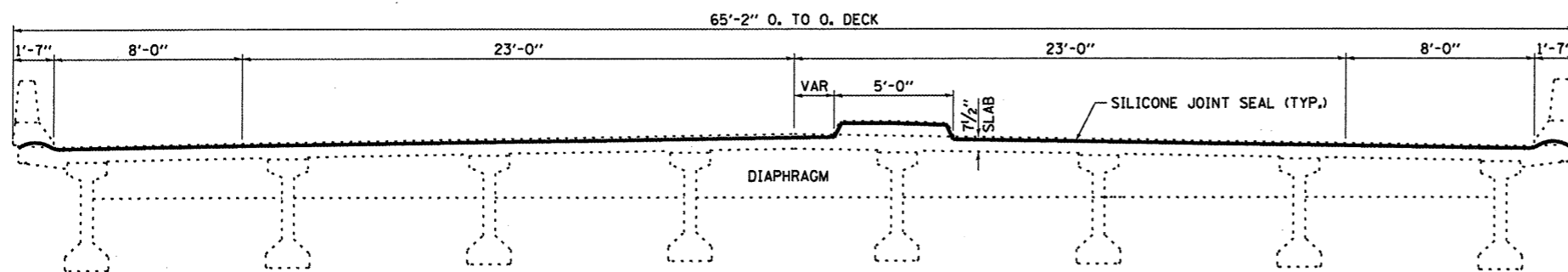
DETAIL B



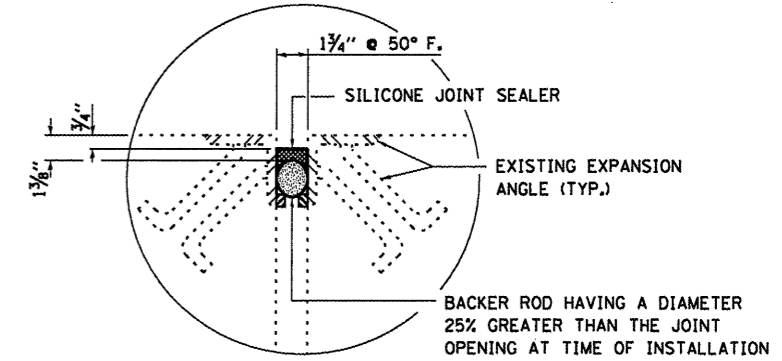
EXISTING PJS EXPANSION JOINT



**CROSS SECTION
SPAN 1 AND 4
(LOOKING EAST)**



**CROSS SECTION
SPAN 2 AND 3
(LOOKING EAST)**



**PROPOSED SILICONE JOINT SEAL
EXPANSION JOINT**

BILL OF MATERIAL

ITEM	UNIT	QUANTITY
SILICONE JOINT SEALER 1 3/4"	FOOT	130