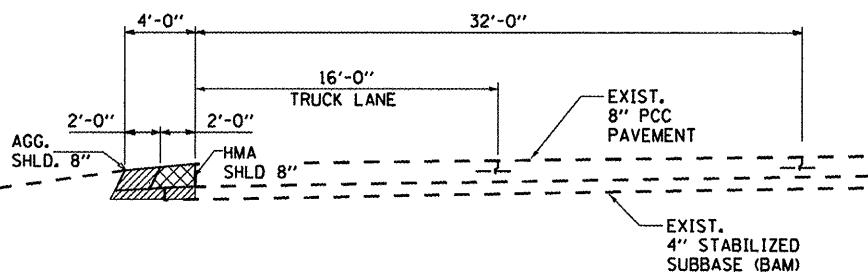


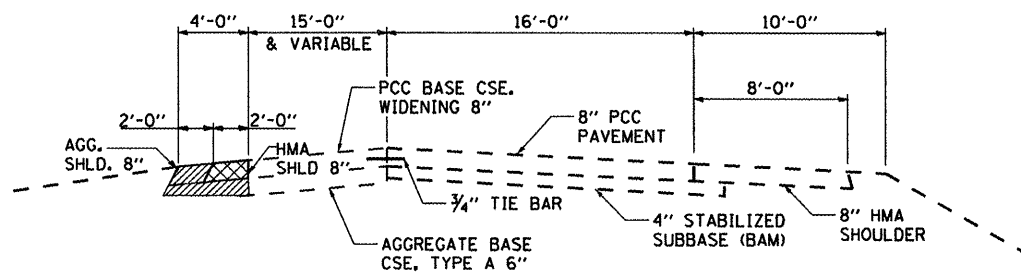
PAVED SHOULDER REMOVAL  
 EARTH EXCAVATION

**EXISTING SECTION A-A**



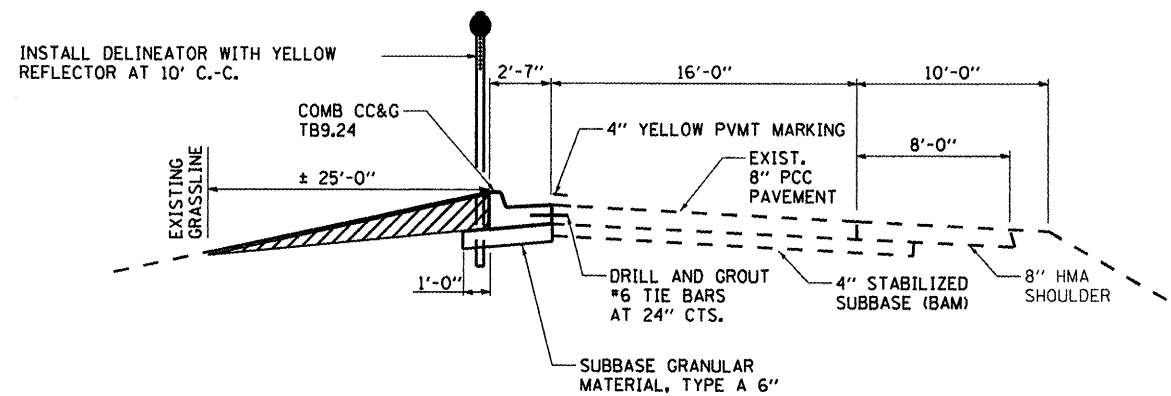
PAVED SHOULDER REMOVAL  
 EARTH EXCAVATION

**EXISTING SECTION B-B**



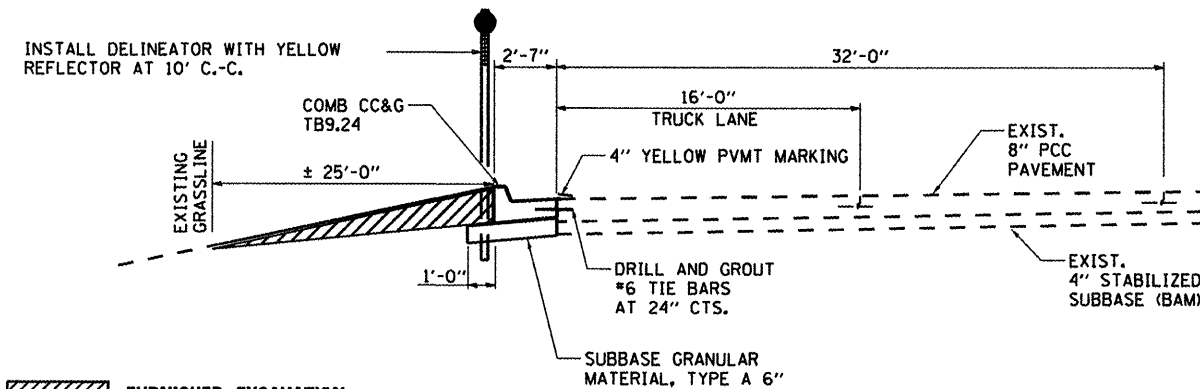
PAVED SHOULDER REMOVAL  
 EARTH EXCAVATION

**EXISTING SECTION C-C**



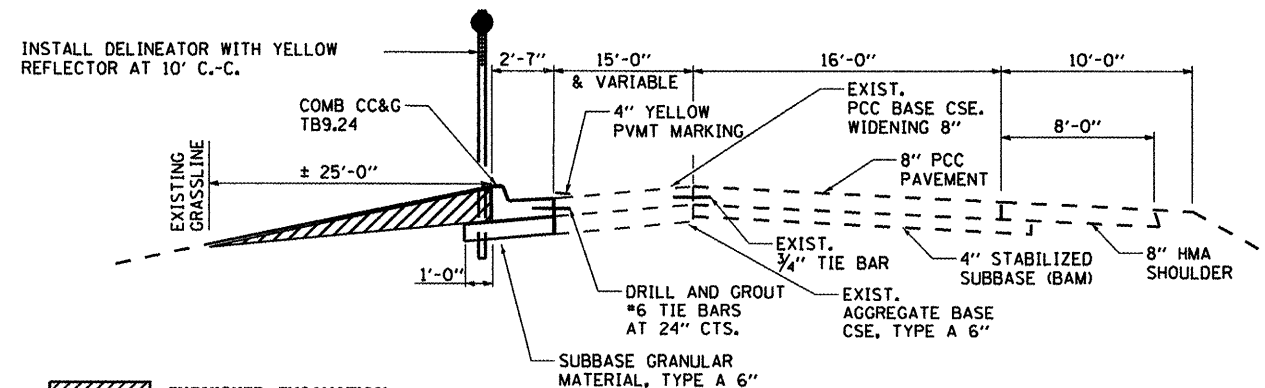
FURNISHED EXCAVATION

**PROPOSED SECTION A-A**



FURNISHED EXCAVATION

**PROPOSED SECTION B-B**



FURNISHED EXCAVATION

**PROPOSED SECTION C-C**

FILE NAME =	USER NAME = petelyj	DESIGNED - YOGESH PATEL	REVISED -
cr:\pwork\pwidot\petelyj\d0279013\0366671-sht-details.dgn		DRAWN - YOGESH PATEL	REVISED -
	PLOT SCALE = 100.0000' / in.	CHECKED - RON WOODSHANK	REVISED -
	PLOT DATE = 2/16/2012	DATE -	REVISED -

STATE OF ILLINOIS  
DEPARTMENT OF TRANSPORTATION

**SECTION DETAILS**  
**SOUTHBOUND - MAIN LINE REST AREA**

F.A.I. RTE.	SECTION	COUNTY	TOTAL SHEETS	SHEET NO.
57	(38-B)RA-8	IROQUOIS	12	9
CONTRACT NO. 66B71				
ILLINOIS FED. AID PROJECT				

SCALE: \_\_\_\_\_ SHEET NO. 1 OF 1 SHEETS STA. \_\_\_\_\_ TO STA. \_\_\_\_\_