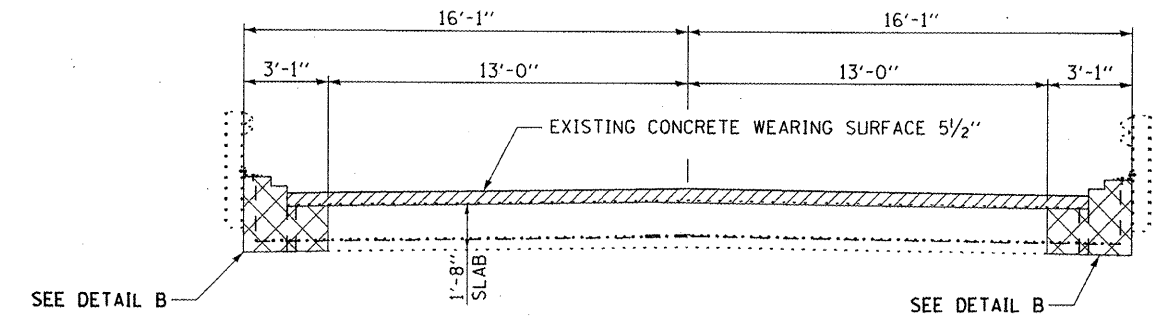
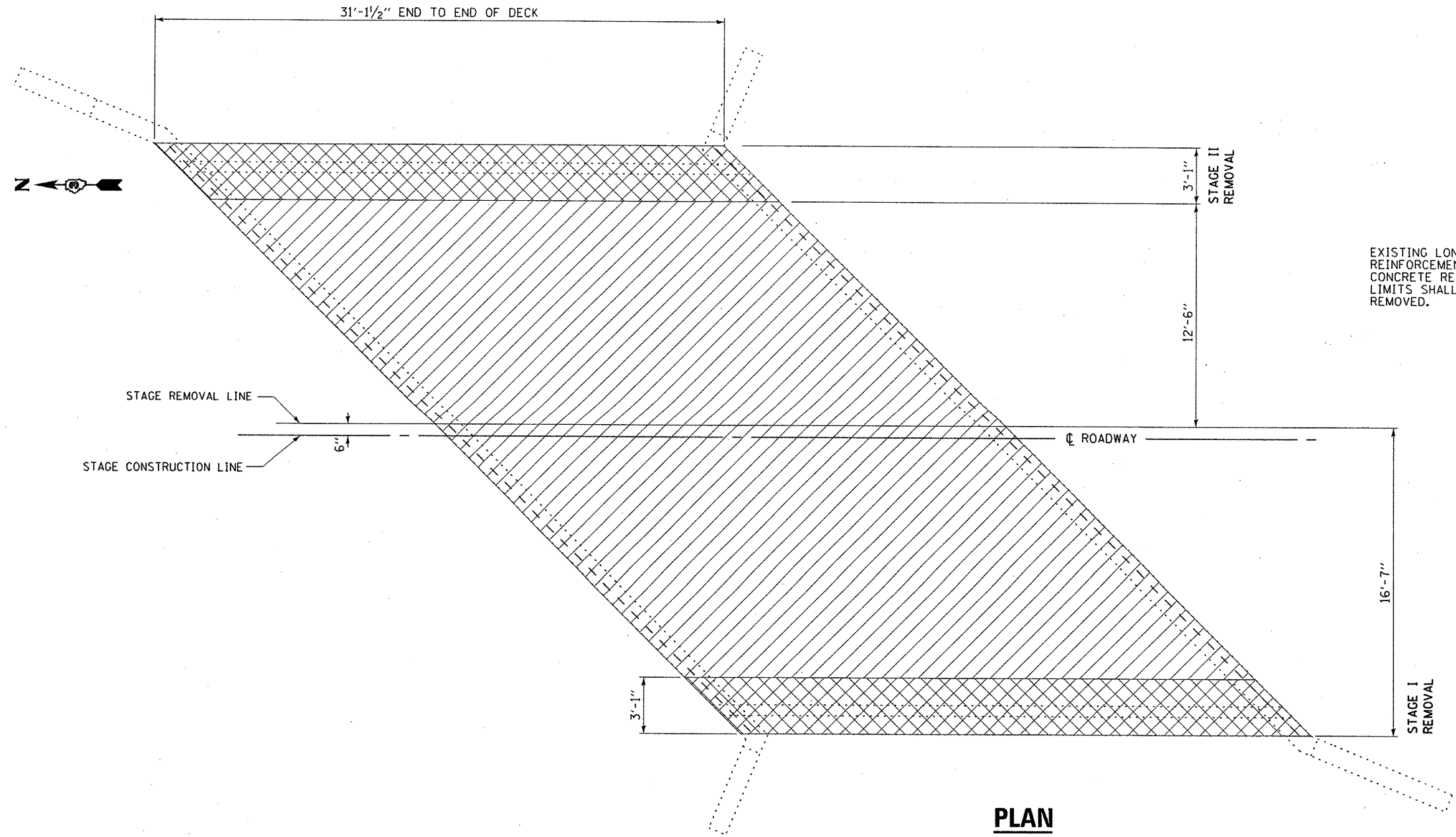


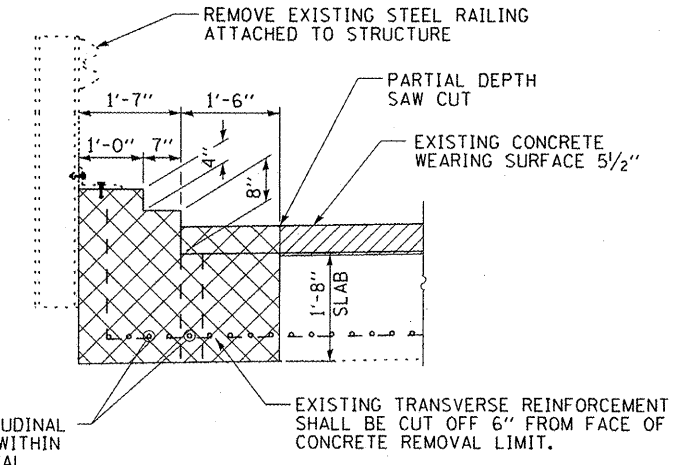
**ELEVATION**



**CROSS SECTION  
(LOOKING SOUTH)**



**PLAN**



**DETAIL B**

EXISTING LONGITUDINAL REINFORCEMENT WITHIN CONCRETE REMOVAL LIMITS SHALL BE REMOVED.

- CONCRETE REMOVAL
- CONCRETE WEARING SURFACE REMOVAL (5 1/2")  
CONCRETE BRIDGE DECK SCARIFICATION (3/8")

NOTES:  
CROSSHATCHED AREA REPRESENTS CONCRETE REMOVAL LIMITS.  
HATCHED AREA REPRESENTS REMOVAL AND REPLACEMENT OF STRUCTURE WEARING SURFACE

FILE NAME =	USER NAME = woodshankr1	DESIGNED - RON WOODSHANK	REVISED -	<b>STATE OF ILLINOIS DEPARTMENT OF TRANSPORTATION</b>	<b>EXISTING STRUCTURE DETAILS FOR STRUCTURE NO. 046-0066</b>	F.A.P. RTE.	SECTION	COUNTY	TOTAL SHEETS	SHEET NO.	
es:\pr\work\p1dot\woodshankr1\d0290040\0366B94-sht-details.dgn	0366B94-sht-details.dgn	DRAWN - RON WOODSHANK	REVISED -			796	(104B)1-1	KANKAKEE	12	9	
	PLOT SCALE = 100.0000' / 1" =	CHECKED -	REVISED -			SCALE:		SHEET NO. 2 OF 5 SHEETS		STA. 985+85 TO STA. 986+15	
	PLOT DATE = 3/16/2012	DATE -	REVISED -			ILLINOIS FED. AID PROJECT CONTRACT NO. 66B94					