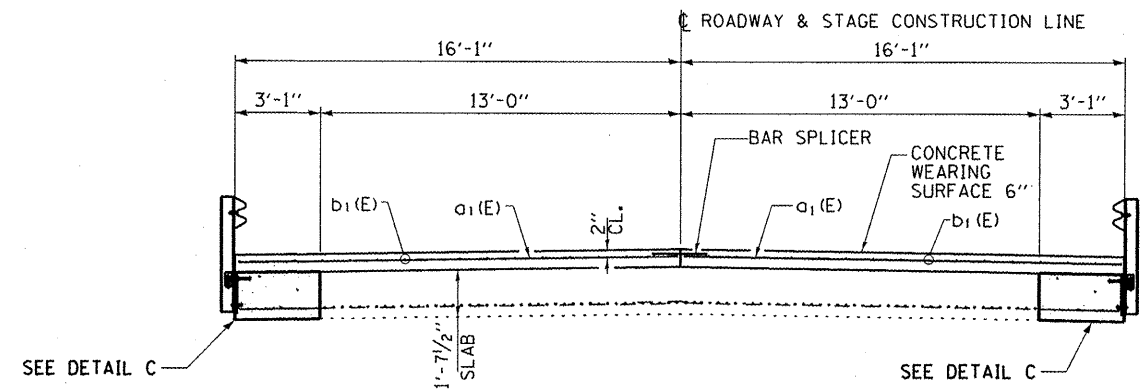
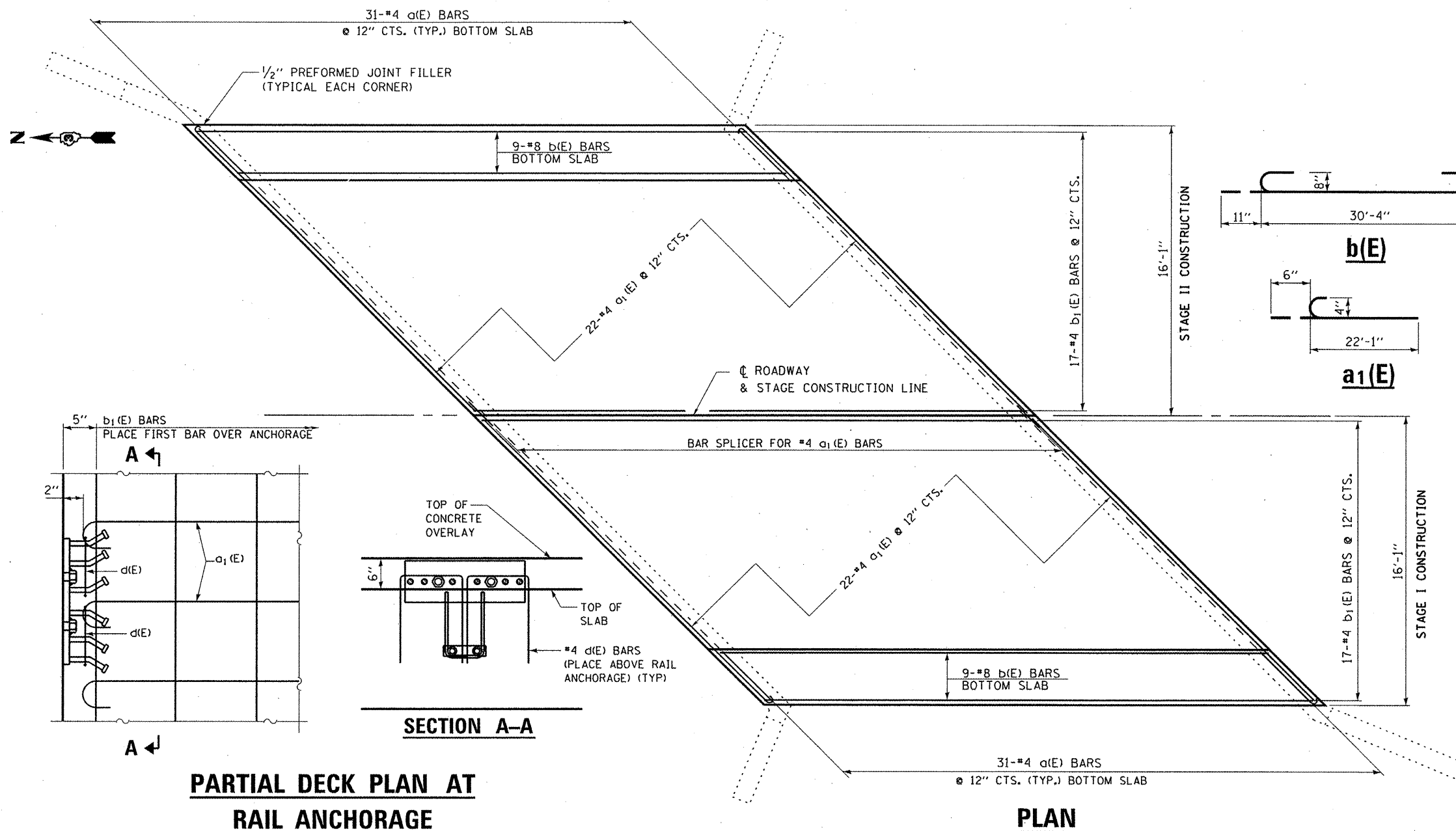


ELEVATION

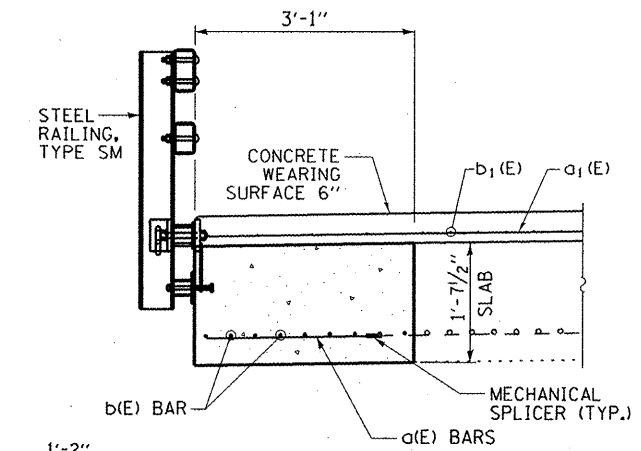


CROSS SECTION

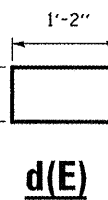
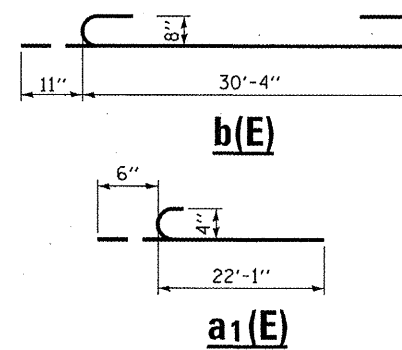


PARTIAL DECK PLAN AT RAIL ANCHORAGE

PLAN



DETAIL C



BILL OF MATERIAL

Bar	No.	Size	Length	Shape
a(E)	62	#4	2'-7"	—
a ₁ (E)	44	#4	22'-7"	—
b(E)	18	#8	32'-2"	—
b ₁ (E)	34	#4	30'-9"	—
d(E)	38	#4	3'-1"	—
CONCRETE REMOVAL			CU YD	16.7
CONCRETE SUPERSTRUCTURE			CU YD	11.6
REINFORCEMENT BARS EPOXY COATED			LBS.	3100
STEEL RAILING, TYPE SM			FOOT	62
STEEL RAILING REMOVAL			FOOT	62
CONCRETE BRIDGE DECK SCARIFICATION (3/8")			SO YD	90
CONCRETE WEARING SURFACE REMOVAL			SO YD	90
CONCRETE WEARING SURFACE 6"			SO YD	111
BRIDGE DECK GROOVING			SO YD	111
PROTECTIVE COAT			SO YD	111
PREFORMED JOINT FILLER			FOOT	10

FILE NAME =	USER NAME = woodshankr1	DESIGNED - RON WOODSHANK	REVISED -
c:\pwork\p1dot\woodshankr1\d0290040\3566894-sht-details.dgn		DRAWN - RON WOODSHANK	REVISED -
PLOT SCALE = 100.0000 / 1 in.		CHECKED -	REVISED -
PLOT DATE = 3/16/2012		DATE -	REVISED -

STATE OF ILLINOIS
DEPARTMENT OF TRANSPORTATION

PROPOSED STRUCTURE DETAILS
FOR STRUCTURE NO. 046-0066

SCALE: SHEET NO. 3 OF 5 SHEETS STA. 985+85 TO STA. 986+15

F.A.P. RTE.	SECTION	COUNTY	TOTAL SHEETS	SHEET NO.
796	(104B)1-1	KANKAKEE	12	10
CONTRACT NO. 66B94			ILLINOIS FED. AID PROJECT	