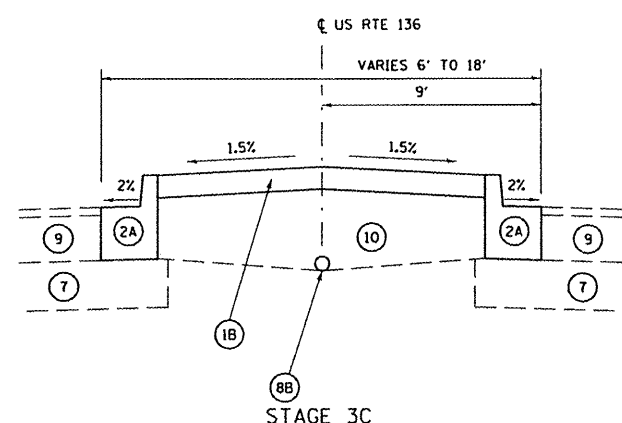


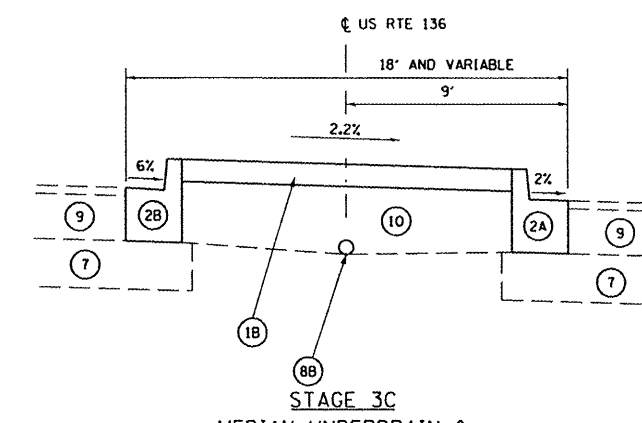
US 136 STAGES 1B & 1C PROPOSED TYPICAL SECTION

MEDIAN REMOVAL FOR CROSSOVER PATCHING
 STA 505+11.54 TO STA 507+80.00
 STA 520+10.00 TO STA 522+82.50

RT SHOULDER REMOVAL FOR RUNAROUND CONSTRUCTION
 STA 506+75.00 TO STA 508+65.00
 STA 519+05.00 TO STA 521+30.00



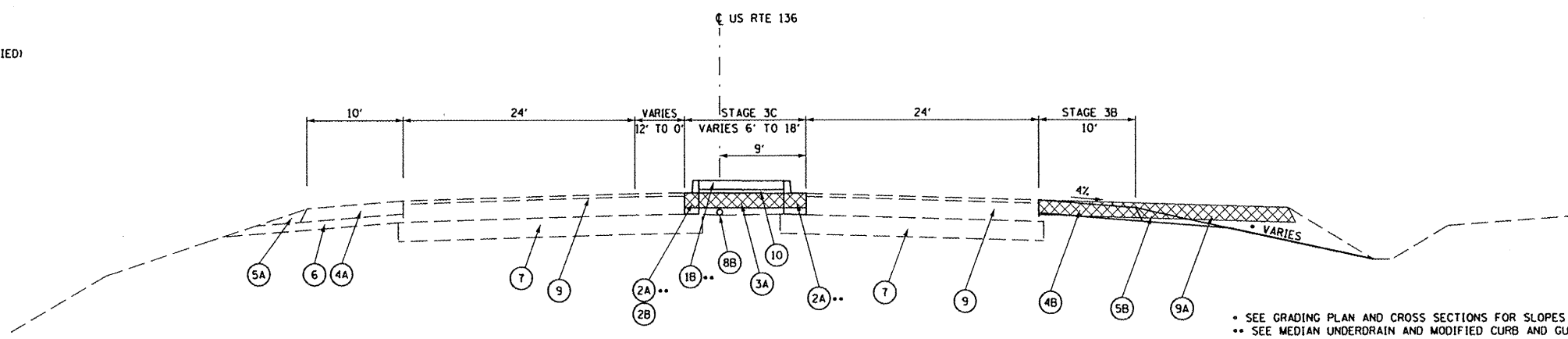
STAGE 3C
 MEDIAN UNDERDRAIN &
 MODIFIED CURB AND GUTTER DETAIL
 STA 505+11.54 TO STA 507+80.00



STAGE 3C
 MEDIAN UNDERDRAIN &
 MODIFIED CURB AND GUTTER DETAIL
 STA 520+10.00 TO STA 522+82.54

LEGEND

- 1A EXISTING CONCRETE MEDIAN SURFACE TO BE REMOVED
- 1B PROPOSED CONCRETE MEDIAN SURFACE, 4 INCH
- 2 EXISTING COMBINATION CONCRETE CURB AND GUTTER TO BE REMOVED
- 2A PROPOSED COMBINATION CONCRETE CURB AND GUTTER, TYPE B-6.24 (MODIFIED)
- 2B PROPOSED COMBINATION CONCRETE CURB AND GUTTER, TYPE B-6.24
- 3A EXISTING PAVEMENT PATCHING TO BE REMOVED
- 3B PROPOSED CLASS D PATCHES, TYPE IV, 9 INCH
- 4 EXISTING HOT-MIX ASPHALT SHOULDERS TO BE REMOVED
- 4A EXISTING HOT-MIX ASPHALT SHOULDERS
- 4B PROPOSED HOT-MIX ASPHALT SHOULDERS, 8"
- 5 EXISTING AGGREGATE SHOULDERS TO BE REMOVED
- 5A EXISTING AGGREGATE SHOULDERS
- 5B PROPOSED AGGREGATE SHOULDERS, TYPE B
- 6 EXISTING SUB-BASE GRANULAR MATERIAL
- 7 EXISTING IMPROVED SUBGRADE
- 8A EXISTING PIPE UNDERDRAIN TO BE REMOVED
- 8B PROPOSED PIPE UNDERDRAINS, 4"
- 9 EXISTING HOT-MIX ASPHALT PAVEMENT
- 9A EXISTING HOT-MIX ASPHALT PAVEMENT TO BE REMOVED
- 9B PROPOSED TEMPORARY PAVEMENT
- 10 PROPOSED POROUS GRANULAR BACKFILL



US 136 STAGES 3B & 3C PROPOSED TYPICAL SECTION

CROSSOVER PATCHING REMOVAL FOR MEDIAN RECONSTRUCTION
 STA 505+11.54 TO STA 507+80.00**
 STA 520+10.00 TO STA 522+82.50**

RUNAROUND REMOVAL FOR RT SHOULDER RECONSTRUCTION
 STA 506+75.00 TO STA 508+65
 STA 519+05.00 TO STA 521+30.00

* SEE GRADING PLAN AND CROSS SECTIONS FOR SLOPES
 ** SEE MEDIAN UNDERDRAIN AND MODIFIED CURB AND GUTTER DETAIL

FILE NAME =	USER NAME = tdarr	DESIGNED -	REVISED -	STATE OF ILLINOIS DEPARTMENT OF TRANSPORTATION	FAP 315 (US RTE 136) MAINTENANCE OF TRAFFIC TYPICAL SECTIONS			F.A.P. RTE.	SECTION	COUNTY	TOTAL SHEETS	SHEET NO.	
\\transportation\2891\us136plans\US136M	T-TYPSEC.dgn	DRAWN -	REVISED -		SCALE: N/A	SHEET NO. OF SHEETS	STA. TO STA.	315	55-3HB	MCDONOUGH	103	15	
	PLOT SCALE = 20.00' / IN.	CHECKED -	REVISED -					DATE					CONTRACT NO. 68A40
	PLOT DATE = 8/23/2011	DATE -	REVISED -										ILLINOIS FED. AID PROJECT