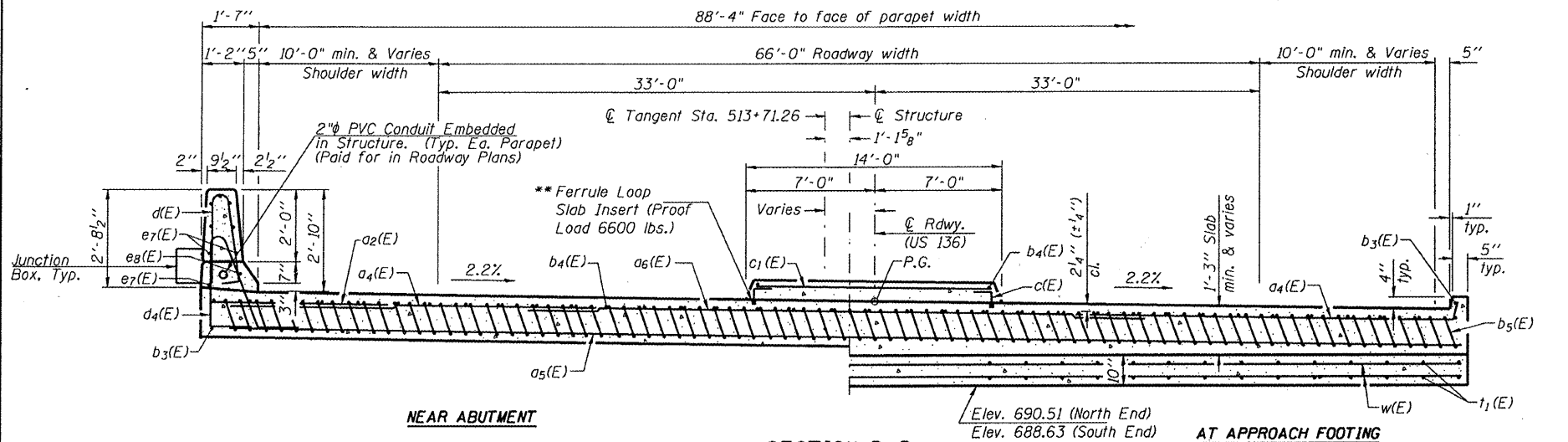
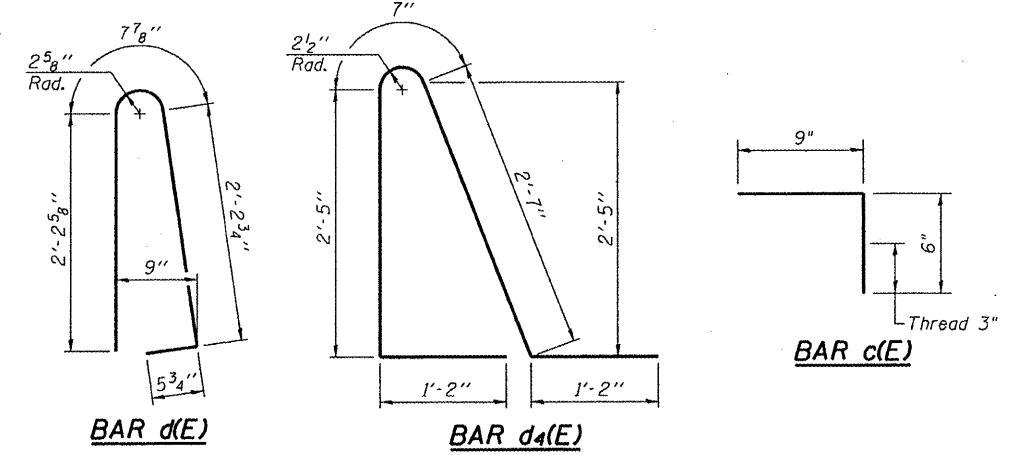


SECTION C-C

Notes:
 See sheet 17 of 35 for Detail A & View B-B.
 Approach slab and parapet concrete shall be paid for as Concrete Superstructure.
 Approach footing concrete shall be paid for as Concrete Structures.
 Reinforcement shall be paid for as Reinforcement Bars, Epoxy Coated.
 See sheet 13 and 14 of 35 for v(E) bar details.
 The approach footing maximum applied service bearing pressure (Qmax) = 2.0 ksf.
 See sheet 29 of 35 for bar splicer details.
 Cost of excavation for approach footing included with Concrete Structures.
 See sheet 2 of 35 for Porous Granular Embankment (Special) and drainage treatment details.
 See sheet 11 of 35 for additional parapet details.



SECTION D-D
 (See Plan for dimensions not shown)

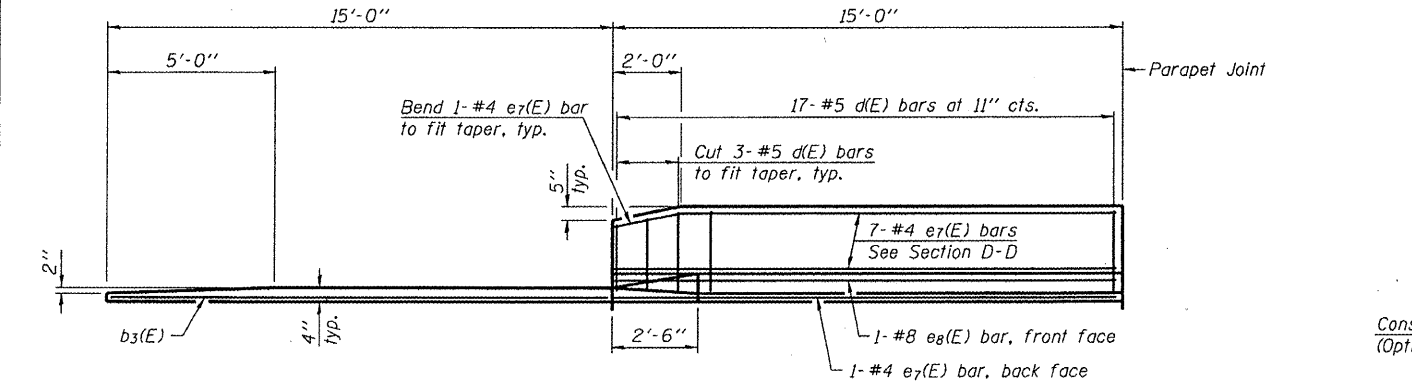


MIN. BAR LAP
 #4 = 2'-7"
 #5 = 3'-3"

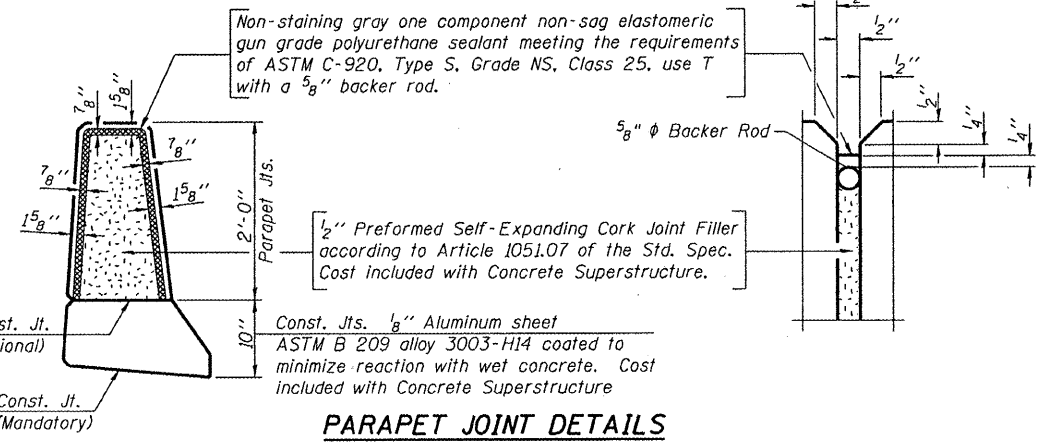
* Tilt #9 b5(E) bars as required to maintain clearance.
 ** The cost of inserts is included in the cost of Reinforcement Bars, Epoxy Coated.
 *** Cost included with Concrete Superstructure.

**EAST APPROACH
 BILL OF MATERIAL**

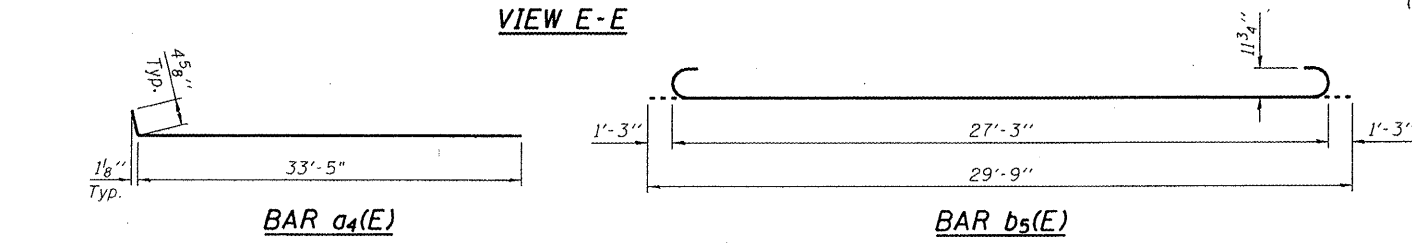
Bar	No.	Size	Length	Shape
a2(E)	24	#6	6'-6"	—
a4(E)	50	#4	33'-10"	—
a5(E)	138	#5	34'-0"	—
a6(E)	25	#4	33'-5"	—
b3(E)	4	#4	14'-8"	—
b4(E)	87	#4	29'-8"	—
b5(E)	217	#9	29'-9"	—
c(E)	62	#5	1'-3"	┌
c1(E)	34	#5	13'-7"	—
d(E)	34	#5	5'-7"	┌
d4(E)	34	#5	7'-11"	┌
e7(E)	16	#4	14'-8"	—
e8(E)	2	#8	14'-8"	—
t1(E)	182	#4	10'-4"	—
w(E)	120	#5	34'-0"	—
Concrete Superstructure	CU YD		138.1	
Concrete Structures	CU YD		29.5	
Reinforcement Bars, Epoxy Coated	POUND		37,320	



VIEW E-E



PARAPET JOINT DETAILS



BAR a4(E)

BAR b5(E)

(Sheet 2 of 2)

Hutchison Engineering, Inc.
 Jacksonville & Shorewood, Illinois

USER NAME = brnebel
 PLOT SCALE = NONE
 PLOT DATE = 10/21/2011

DESIGNED - CTM
 CHECKED - BAN
 DRAWN - TAC
 CHECKED - CTM/BAN

REVISED -
 REVISED -
 REVISED -
 REVISED -

**STATE OF ILLINOIS
 DEPARTMENT OF TRANSPORTATION**

**EAST BRIDGE APPROACH SLAB DETAILS
 STRUCTURE NO. 055-0063**

F.A.P. RTE.	SECTION	COUNTY	TOTAL SHEETS	SHEET NO.
315	55-34B	McDonough	103	49
			CONTRACT NO. 68A40	
ILLINOIS FED. AID PROJECT				