

Notes:

All cast iron parts shall be gray iron conforming to the requirements of AASHTO M 105, Class 35B.

Bolts, anchor studs, washers and nuts shall conform to the requirements of ASTM A 307 and shall be galvanized according to AASHTO M 232.

All castings shall conform to the requirements of AASHTO M 306.

Downspouts located on the exterior side of a painted steel fascia beam shall be painted with the finish coat specified for the exterior side of the fascia beam.

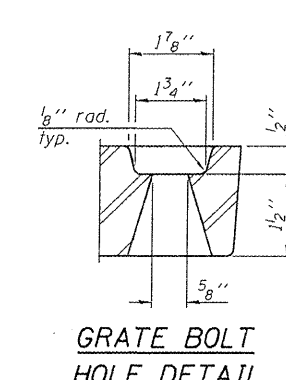
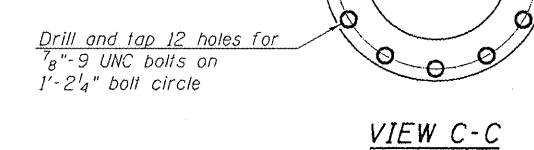
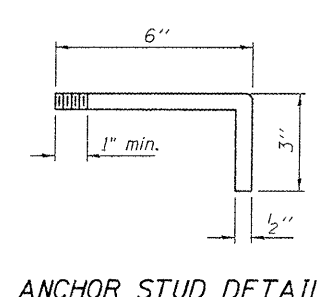
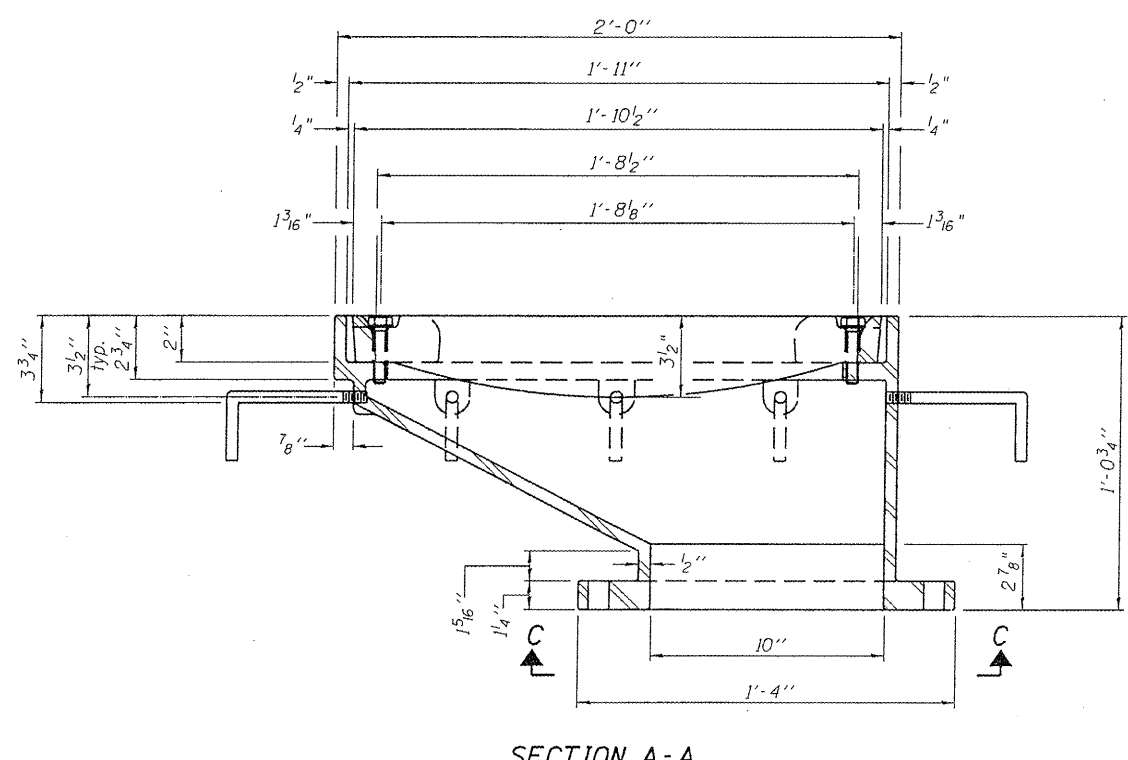
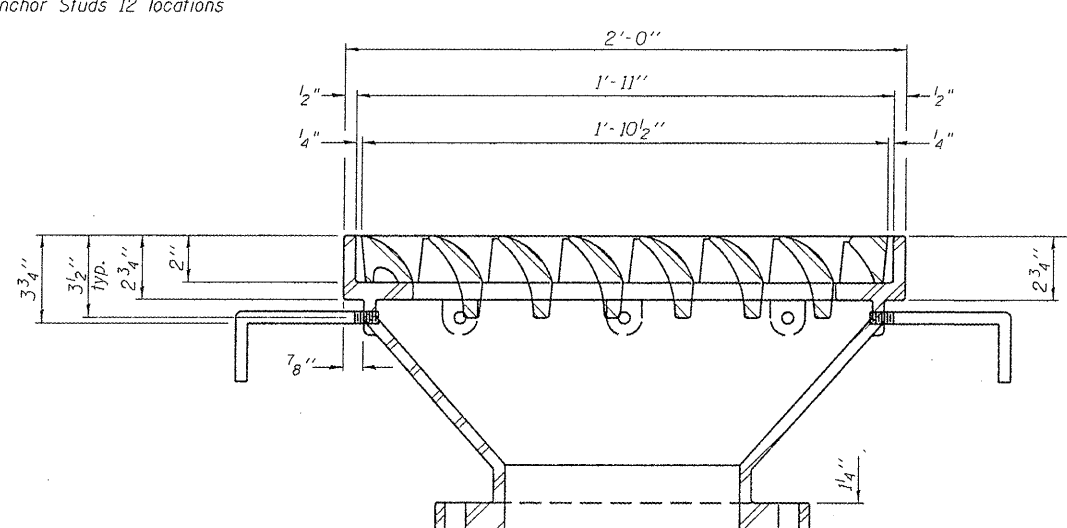
As an alternate, bolts, anchor studs, washers and nuts may be stainless steel according to Article 1006.29(d) of the Standard Specifications.

Structural steel weldments of equal sections and of the same configuration may be substituted for the cast iron scupper frame. Fillet or full penetration welds shall be used for the weldments. Details shall be submitted to the Engineer for approval. Structural steel weldments shall not be substituted for the cast iron scupper grate. Structural steel frames and downspouts shall be galvanized according to AASHTO M111.

The Contractor shall take appropriate measures to assure that Protective Coat is not applied to the scupper.

Cost of the Grate, Frame, Downspout, Anchor Studs, Bolts, Washers and Nuts including complete installation of the scupper shall be paid for at the contract unit price each for Drainage Scupper, DS-12M10.

Alternate fiberglass downspout conforming to ASTM D 2996 with a short-time rupture strength hoop tensile stress of 30,000 psi min. may be used in lieu of the cast iron or steel equivalent.



BILL OF MATERIAL

ITEM	UNIT	QUANTITY
Drainage Scupper, DS-12M10	EACH	6

DS-12M10 7-1-10

Hutchison Engineering, Inc.  
Jacksonville & Shorewood, Illinois

USER NAME = rcdy	DESIGNED - BAN	REVISED -
PLOT SCALE = NONE	CHECKED - JOH	REVISED -
PLOT DATE = 8/22/2011	DRAWN - TAC	REVISED -
	CHECKED - BAN	REVISED -

STATE OF ILLINOIS  
DEPARTMENT OF TRANSPORTATION

DRAINAGE SCUPPER DS-12M10  
STRUCTURE NO. 055-0063

F.A.P. RTE.	SECTION	COUNTY	TOTAL SHEETS	SHEET NO.
315	55-3HB	McDonough	103	50
			CONTRACT NO. 68A40	
ILLINOIS FED. AID PROJECT				

SHEET NO. 19 OF 35 SHEETS