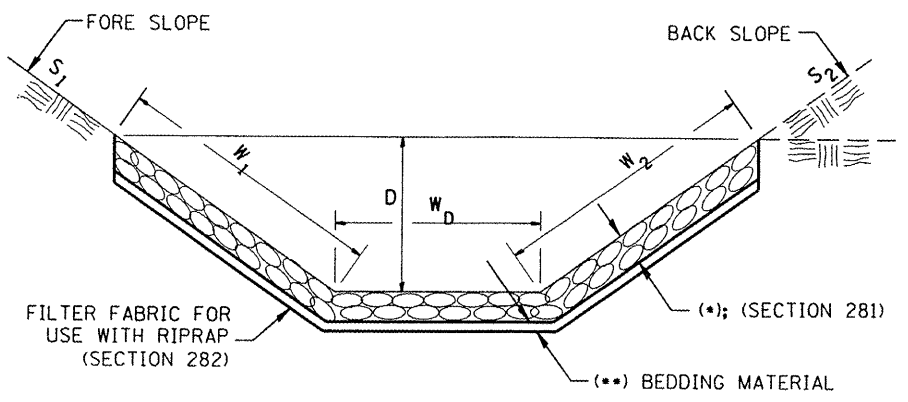


Designer NOTES:
 1. Designer to modify this Special Detail Sheet, as needed for inclusion in plans.
 2. (*) Designer to specify pay item including material, quality, and gradation.
 3. (**) Designer to specify thickness of bedding material.
 4. Include District Special Provision if needed.

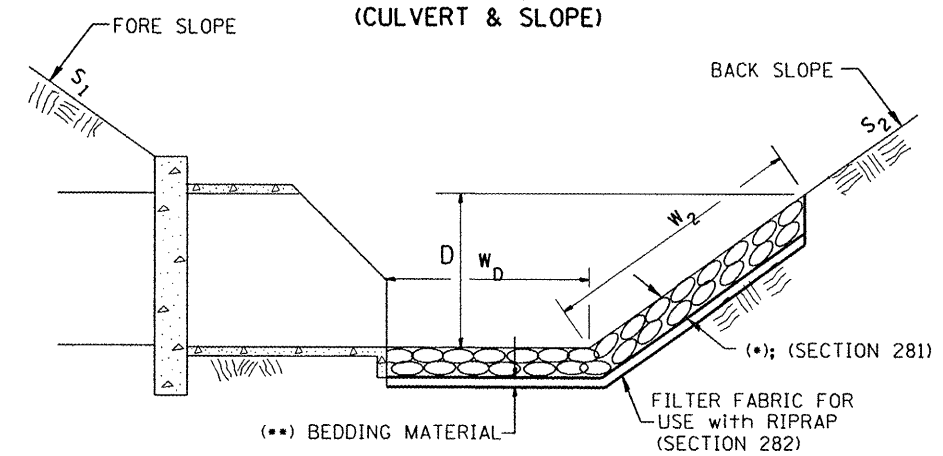
**CASE 1
(DITCH)**



| LOCATION | | (*) CLASS A5 | | |
|------------|----------------------------|-------------------------|---------------------------------------|---------------------------------------|
| STA TO STA | WIDTH (1) lin ft (m) | LENGTH lin ft (m) | RIPRAP sq yds (m ²) | FABRIC sq yds (m ²) |
| 511+33 LT | 16 | 450 | 800.0 | 800.0 |
| 514+76 LT | 16 | 280 | 497.8 | 497.8 |
| 517+40 LT | 16 TO 24 | 340 | 772.2 | 772.2 |
| TOTAL | | | 2070.0 | 2070.0 |

(1) WIDTH = $W_1 + W_2 + W_D$

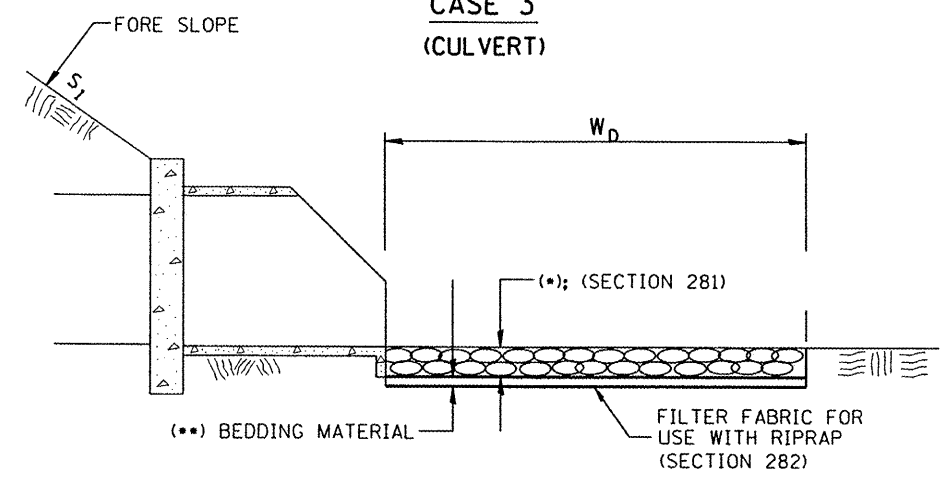
**CASE 2
(CULVERT & SLOPE)**



| LOCATION | | (*) CLASS A5 | | |
|------------|----------------------------|-------------------------|---------------------------------------|---------------------------------------|
| STA TO STA | WIDTH (1) lin ft (m) | LENGTH lin ft (m) | RIPRAP sq yds (m ²) | FABRIC sq yds (m ²) |
| 14+57 RT | 24 | 48 | 128.0 | 128.0 |
| 17+74 RT | 12 | 24 | 32.0 | 32.0 |
| 517+75 RT | 24 | 24 | 64.0 | 64.0 |
| TOTAL | | | 224.0 | 224.0 |

(1) WIDTH = $W_2 + W_D$

**CASE 3
(CULVERT)**



| LOCATION | | (*) CLASS A4 | | |
|------------|----------------------------|-------------------------|---------------------------------------|---------------------------------------|
| STA TO STA | WIDTH (1) lin ft (m) | LENGTH lin ft (m) | RIPRAP sq yds (m ²) | FABRIC sq yds (m ²) |
| 512+17 LT | 8 | 50 | 44.4 | 44.4 |
| 515+12 RT | 10 | 21 | 23.3 | 23.3 |
| 517+40 LT | 8 | 50 | 44.4 | 44.4 |
| TOTAL | | | 112.1 | 112.1 |

(1) WIDTH = W_D

All slope ratios are expressed as units of vertical displacement to units of horizontal displacement (V:H).
 All dimensions are in inches (millimeters) unless otherwise noted.