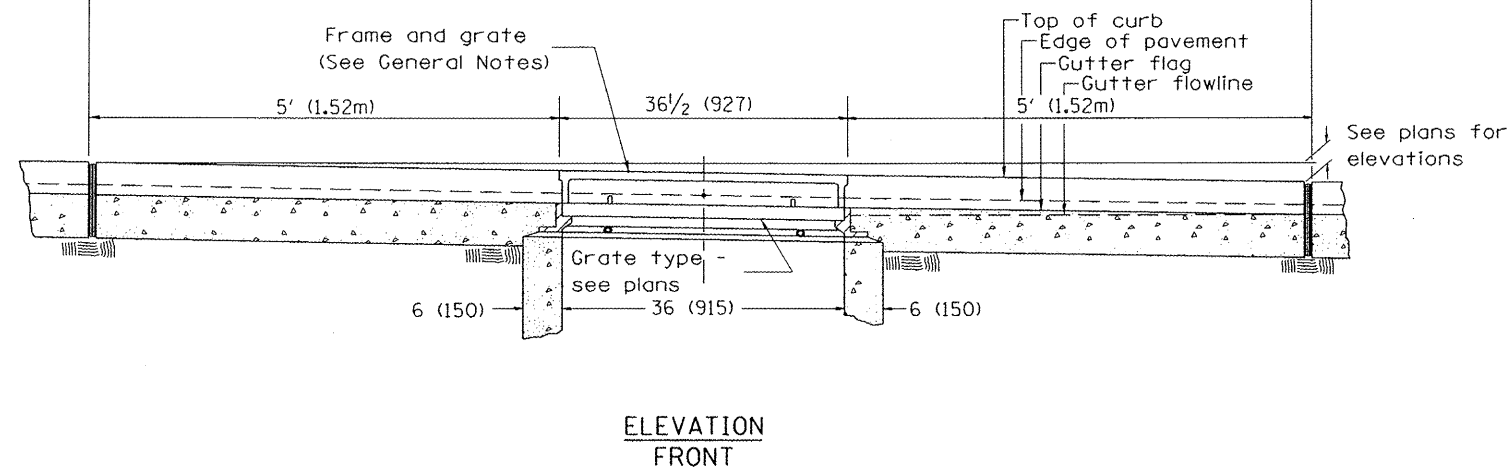
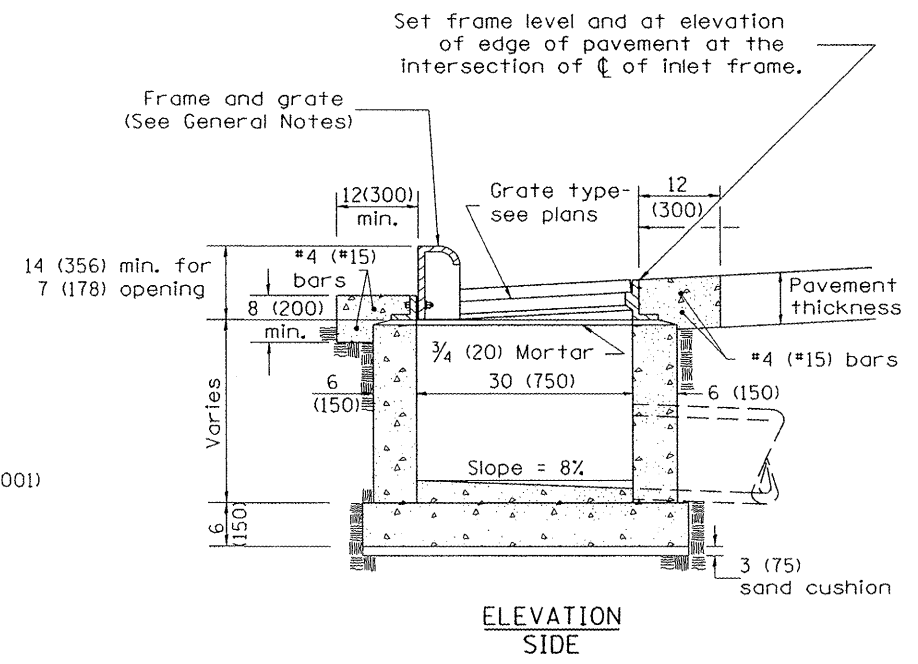
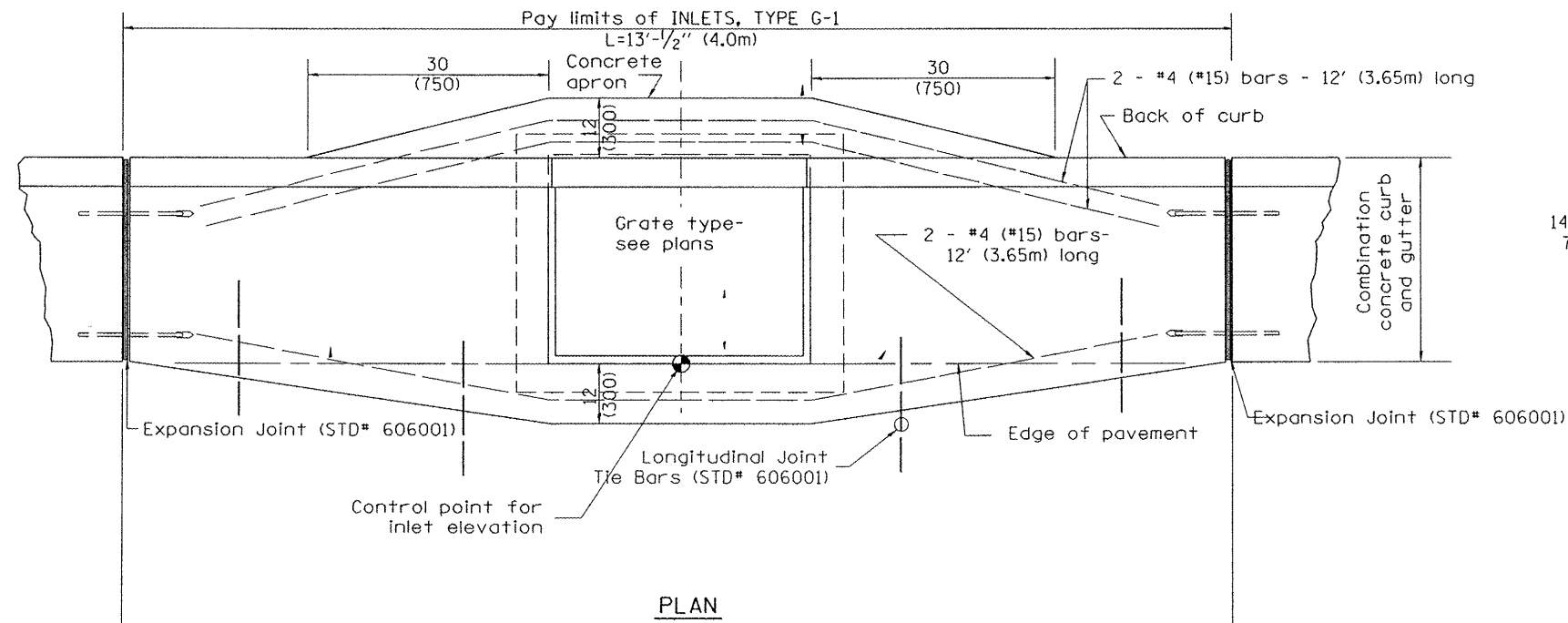


DESIGNER NOTES:

1. Include State Standard 606001 for combination concrete curb and gutter details.
2. Include State Standard 420001 for pavement joints.
3. Include District CADD Standard for frame and grates and specify grate type in plans.
4. Include District CADD Standard for frame and grates transitional c.c.c. & g., inlet and frame and grate.
5. The designer should include pavement removal quantities when the apron requires pavement removal.



**GENERAL NOTES**

1. Inlet construction shall be in accordance with Section 602 of the Standard Specifications.
2. Combination Concrete Curb & Gutter shall be constructed in accordance with Section 606 of the Standard Specifications.
3. See District CADD Standard 604001-D4 for frame and grates.

All dimensions are in inches (millimeters) unless otherwise noted.

01-01-97	RENUM. B-4.01, NEW REVISION BOX	T.P.				<b>STATE OF ILLINOIS DEPARTMENT OF TRANSPORTATION</b>	<b>INLETS, TYPE G-1</b>	F.A.P. RTE.	SECTION	COUNTY	TOTAL SHEETS	SHEET NO.	
10-99	REVISION TO GENERAL NOTES	J.A.						315	55-3HB	MCDONOUGH	103	73	
02-00	REVISION TO DESIGNER NOTES	J.A.						CONTRACT NO. 68A40					
10-16-06	REVISED TO 2007 SPEC.	M.A.						CADD STD. 602001-D4					

NOT TO SCALE

CADD STD. 602001-D4

FED. ROAD DIST. NO. ILLINOIS FED. AID PROJECT