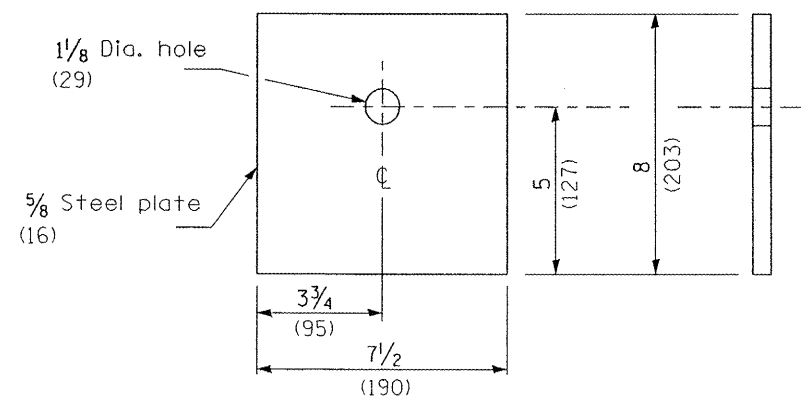
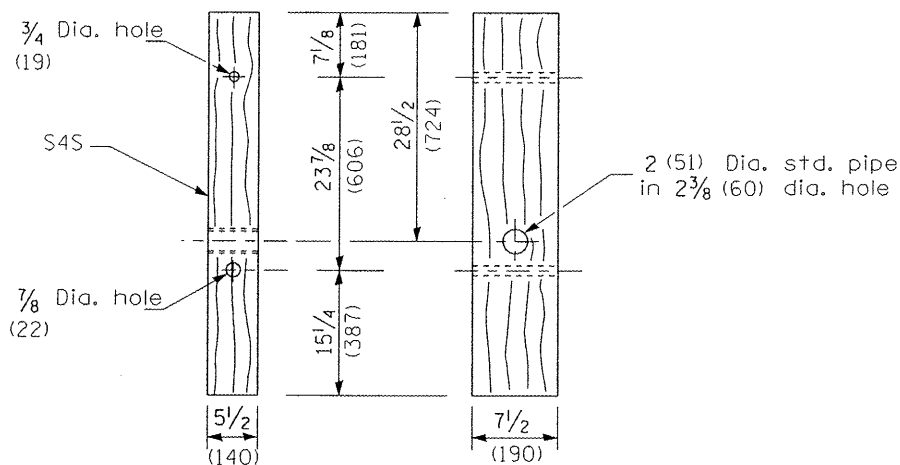


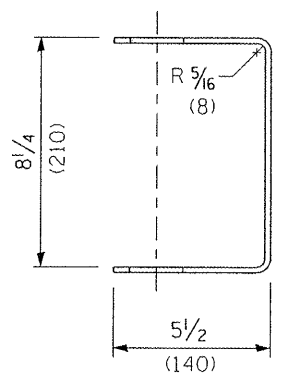
DESIGNER NOTES: This CADD Standard was created because the State Standard was not corrected to show the proper height (31") for new installations.
 1. Use this CADD Standard for new guardrail installations requiring a Type 2 end section.
 2. Use the State Standard 631011 when removing and re-erecting existing guardrail.
 3. Delete this CADD Standard when State Standard 631011 is corrected and reissued.



BEARING PLATE K

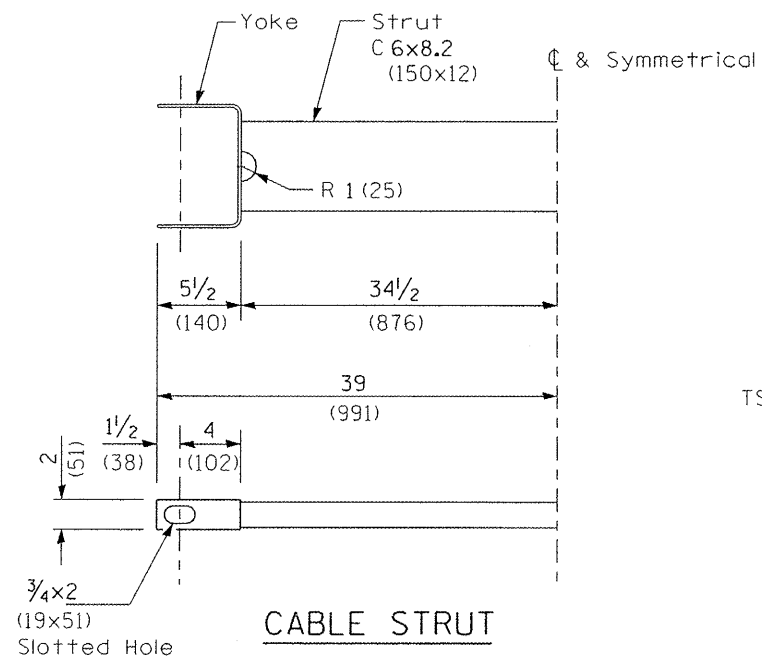


WOOD POST

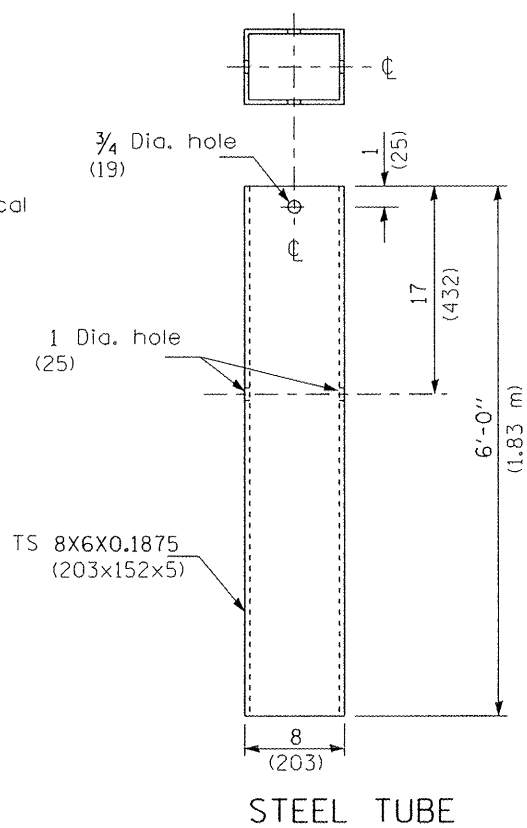


YOKE

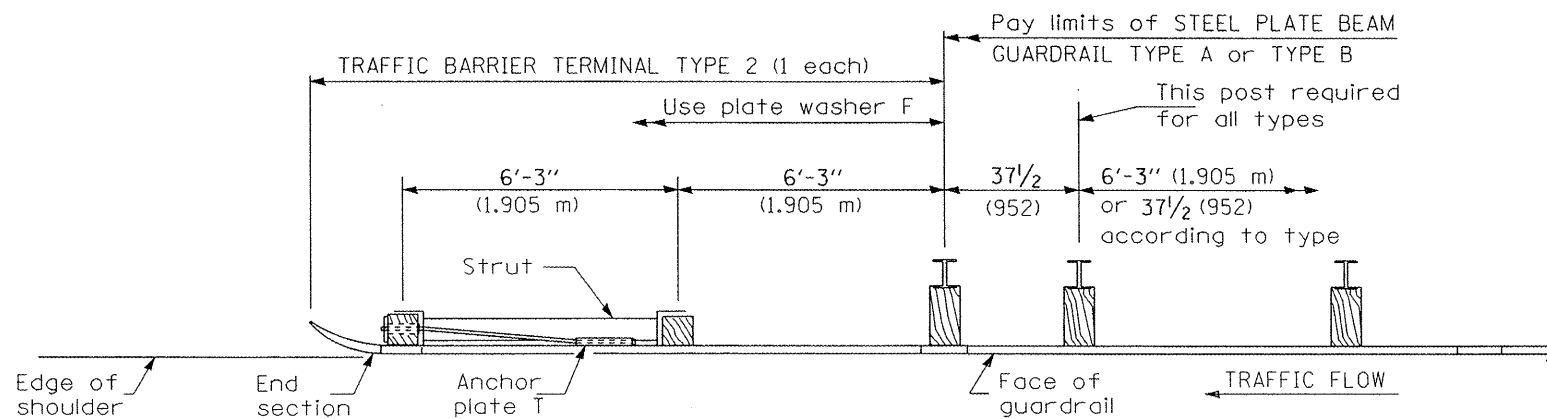
3/16 (5) thick steel



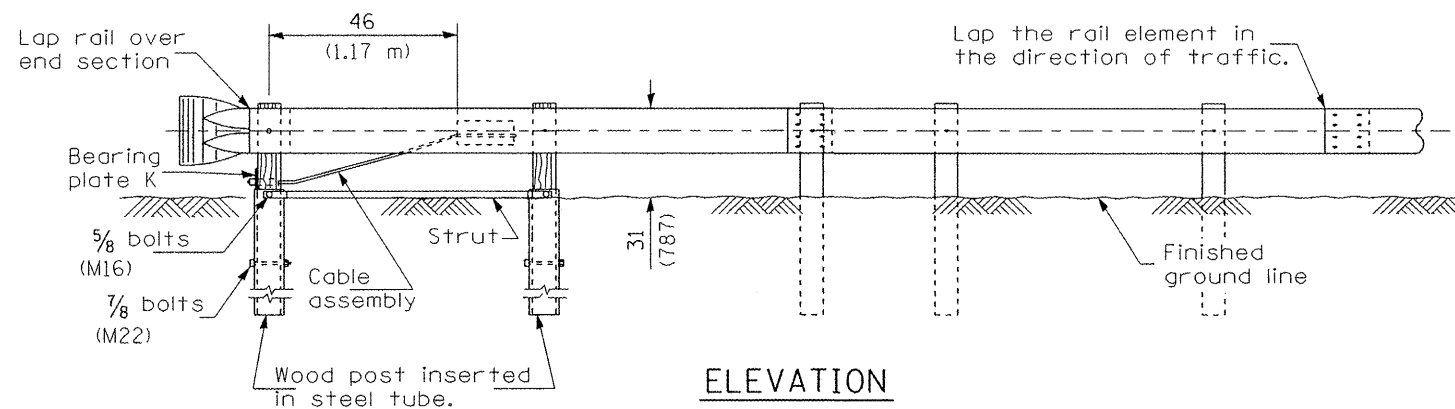
CABLE STRUT



STEEL TUBE



PLAN



ELEVATION

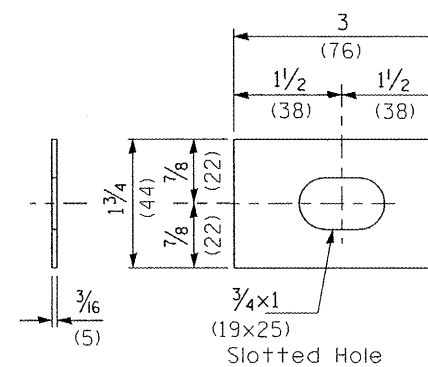


PLATE WASHER F

GENERAL NOTES

See Standard 630001 for details of guardrail not shown.

The bearing plate K shall be held in position by (2) two eight penny nails driven into the post and bent over the top of the plate.

All dimensions are in inches (millimeters) unless otherwise noted.

03-01-07	NEW DETAIL	RJD			
----------	------------	-----	--	--	--

STATE OF ILLINOIS
DEPARTMENT OF TRANSPORTATION

TRAFFIC BARRIER TERMINAL, TYPE 2

NOT TO SCALE

CADD STD. 631011-04

F.A.P. RTE.	SECTION	COUNTY	TOTAL SHEETS	SHEET NO.
315	55-3HB	McDONOUGH	103	77
CONTRACT NO. 68A40			FED. ROAD DIST. NO. ILLINOIS FED. AID PROJECT	