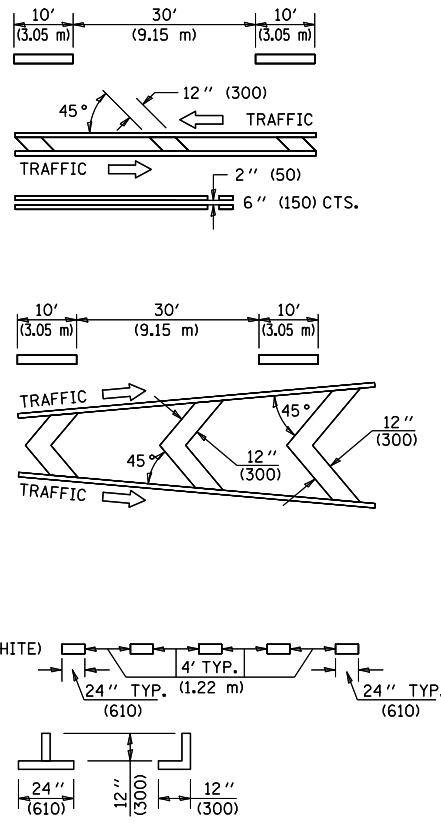


\* REDUCE TO 40' (12.2 m) O.C. ON CURVES WITH POSTED OR ADVISORY SPEEDS OF 45 mph (70 km/h) OR LESS.

**TWO LANE/TWO WAY**

**TYPICAL PAVEMENT MARKING LEGEND**

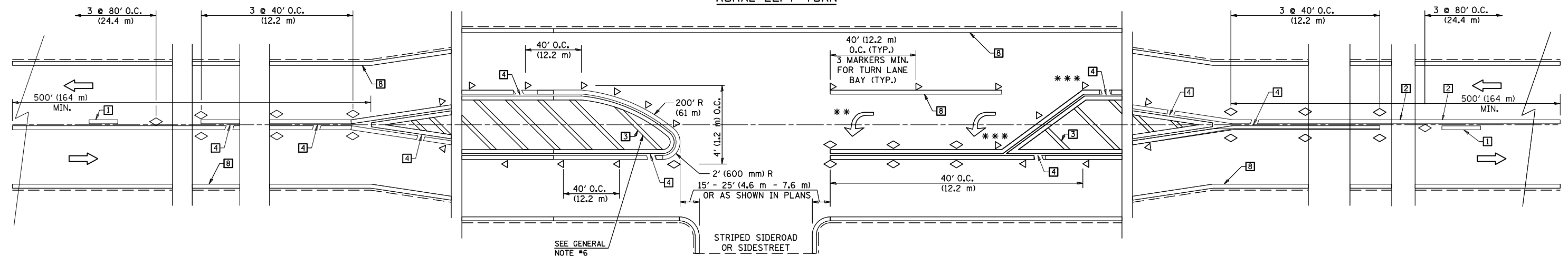
- 1 4" (100) SKIP-DASH (YELLOW)
- 2 4" (100) SOLID (YELLOW)
- 3 12" (300) DIAGONAL (YELLOW)
- 4 4" (100) DOUBLE YELLOW (NARROW)
- 5 RESERVED
- 6 RESERVED
- 7 4" (100) SKIP-DASH (WHITE)
- 8 4" (100) SOLID (WHITE)
- 9 12" (300) DIAGONAL (WHITE)
- 10 6" (150) SOLID (WHITE)
- 11 24" (600) STOP BAR (WHITE)
- 12 8" (200) SOLID (WHITE)
- 13 4" (100) LANE LINE EXTENSIONS (WHITE)
- 14 4" (100) PARKING WHITE



**TYPICAL PAVEMENT MARKERS LEGEND**

- ◇ TWO-WAY AMBER MARKER
- ▷ ONE-WAY AMBER MARKER
- ▷ ONE-WAY CRYSTAL MARKER

**RURAL LEFT TURN**



\*\*\* REDUCE SPACING IF NECESSARY TO ASSURE MARKERS AT CORNER POINTS.  
 \*\* TURN ARROWS SHALL BE PLACED AS SHOWN ON SHEET #2.

Note: All dimensions are in INCHES (millimeters) unless otherwise shown.

FILE NAME =	USER NAME = coombessf	DESIGNED -	REVISED - 11/06	<b>STATE OF ILLINOIS DEPARTMENT OF TRANSPORTATION</b>	<b>PAVEMENT MARKING AND MARKERS (RURAL &amp; URBAN APPLICATIONS)</b>			F.A.P. RTE.	SECTION	COUNTY	TOTAL SHEETS	SHEET NO.
ci:\pw\work\p\dot\coombessf\d0282854\0570902-sht-detail.dgn	70902-sht-detail.dgn	DRAWN -	REVISED - 09/2009 - KJT					323	(144)RS-2 & 145RS-3	DOUGLAS	21	15
PLOT SCALE = 48.0000' / in.		CHECKED -	REVISED -		CONTRACT NO. 70902							
PLOT DATE = 1/13/2012		DATE -	REVISED -		FED. ROAD DIST. NO.	ILLINOIS	FED. AID PROJECT					

**DISTRICT 5 DETAIL NO. 7800AAA**

SCALE: SHEET NO. 1 OF 4 SHEETS STA. TO STA.