

STATION EQUATION:

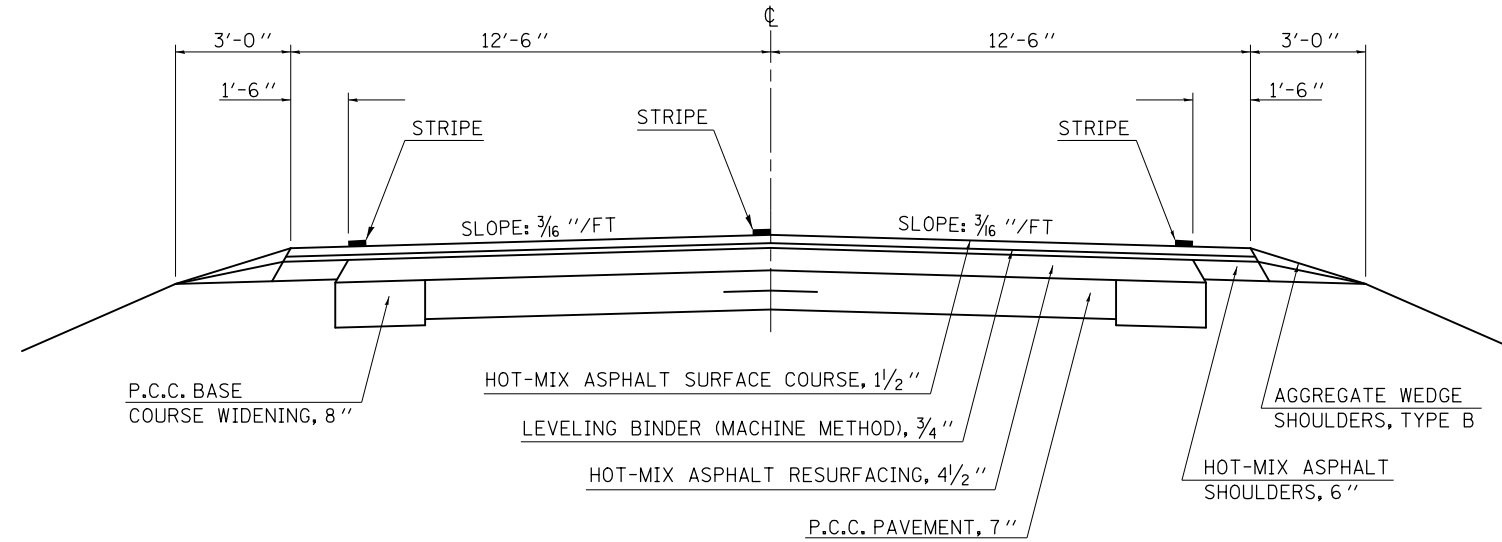
STA. 738+10.00 (BK) = STA. 738+00.00 (AH)
 STA. 1032+44.30 (BK) = STA. 277+12.59 (AH)

1 EXISTING TYPICAL CROSS SECTION

F.A.P. ROUTE 741 (IL 105)

LOCATION #1

STATION TO STATION
 686+00.00 885+16.82 ②
 ③ 892+40.00 1032+44.30 (BK) ④

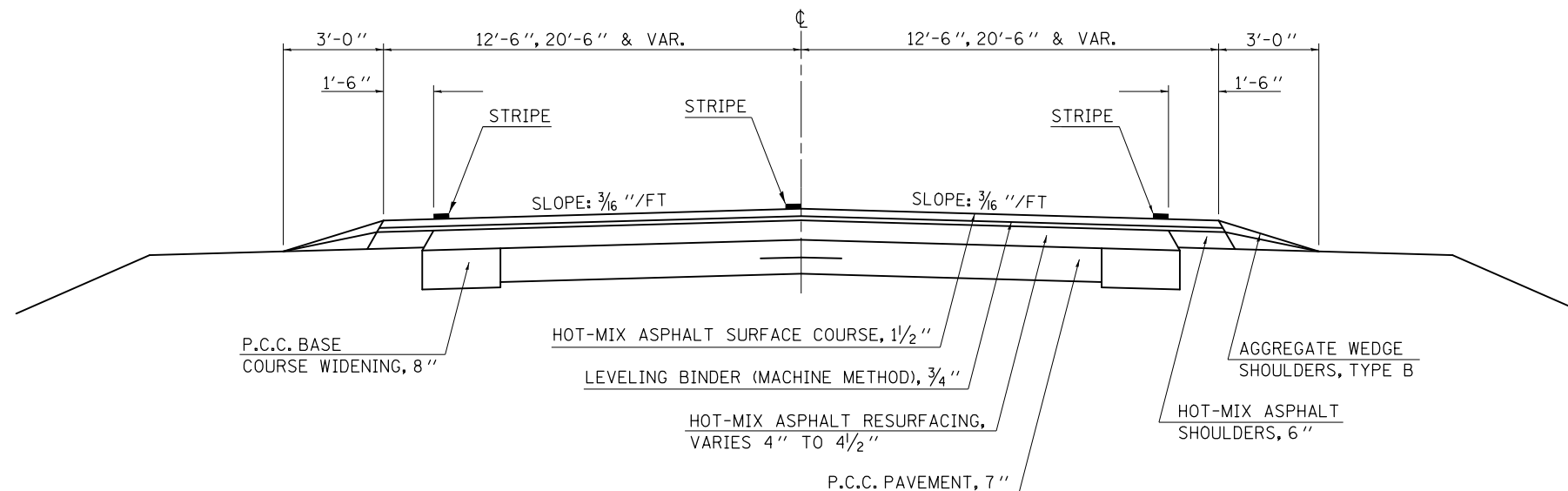


2 EXISTING TYPICAL CROSS SECTION

F.A.P. ROUTE 741 (IL 105)

LOCATION #1

STATION TO STATION
 ① 885+16.82 889+02.00 ③



• D5 CRACK & JOINT SEAL 2012-1
 •• DEWITT, MCLEAN, PIATT

FILE NAME =	USER NAME = ppersonbr	DESIGNED - GAE	REVISED -	STATE OF ILLINOIS DEPARTMENT OF TRANSPORTATION	EXISTING TYPICAL CROSS SECTIONS LOCATION #1			F.A. RTE.	SECTION	COUNTY	TOTAL SHEETS	SHEET NO.
et:\pwork\pwork\personbr\d0287939\05	0932-sh-typical.dgn	DRAWN - BBP	REVISED -		SCALE: NONE	SHEET 1	OF 2 SHEETS	STA.	TO STA.	••	36	14
	PLOT SCALE = 40.0000' / in.	CHECKED -	REVISED -		CONTRACT NO. 70932							
	PLOT DATE = 1/25/2012	DATE - 12/01/11	REVISED -		ILLINOIS FED. AID PROJECT							