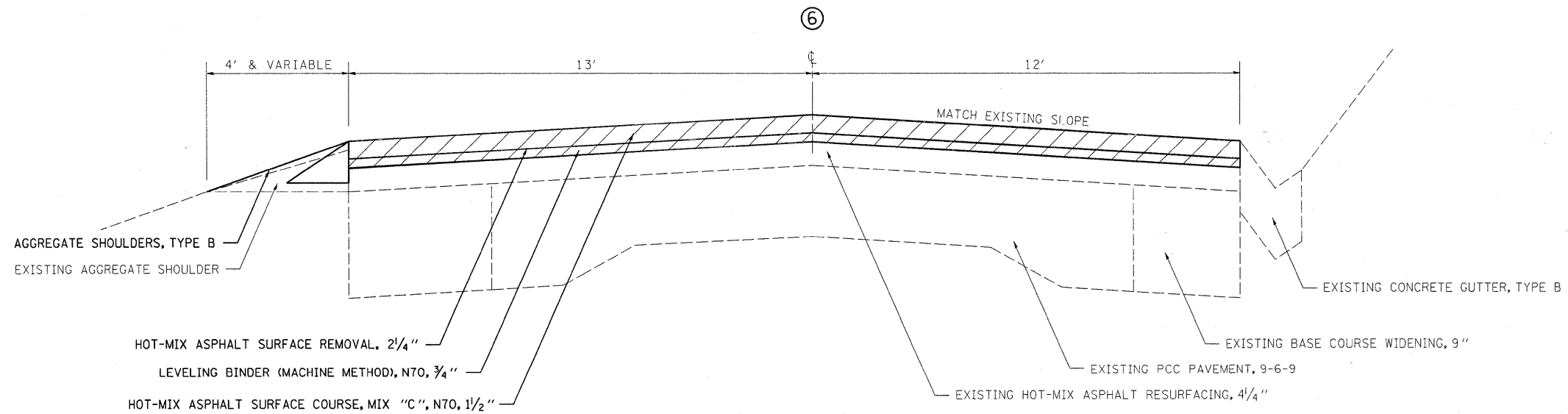


	④	STA 212+12	TO	STA 217+15	④
	③	STA 243+50	TO	STA 249+14	⑥
	④	STA 257+25	TO	STA 262+33	③
	③	STA 297+81	TO	STA 305+10	③
	③	STA 368+65	TO	STA 377+75	③
OMISSION	③	STA 394+00	TO	STA 405+00	③
		STA 405+00	TO	STA 411+70	③
OMISSION	④	STA 564+85	TO	STA 569+00	③
		STA 569+00	TO	STA 578+50	③
	③	STA 589+34	TO	STA 595+50	③



⑤ STA 249+14 TO STA 250+10 ③

FILE NAME =	USER NAME = teasleyok	DESIGNED -	REVISED -	STATE OF ILLINOIS DEPARTMENT OF TRANSPORTATION	TYPICALS			F.A.P. RTE.	SECTION	COUNTY	TOTAL SHEETS	SHEET NO.
c:\pwork\pw\dot\teasleyok\012384\07	4252-sht-typicals.dgn	DRAWN -	REVISED -					•	(108,109,110)RS-3	Cumberland	56	8
	PLOT SCALE = 50.0000' / in.	CHECKED -	REVISED -		SCALE:	SHEET NO. OF	SHEETS	STA.	TO STA.	CONTRACT NO. 74252		
	PLOT DATE = 5/4/2011	DATE -	REVISED -		ILLINOIS FED. AID PROJECT							