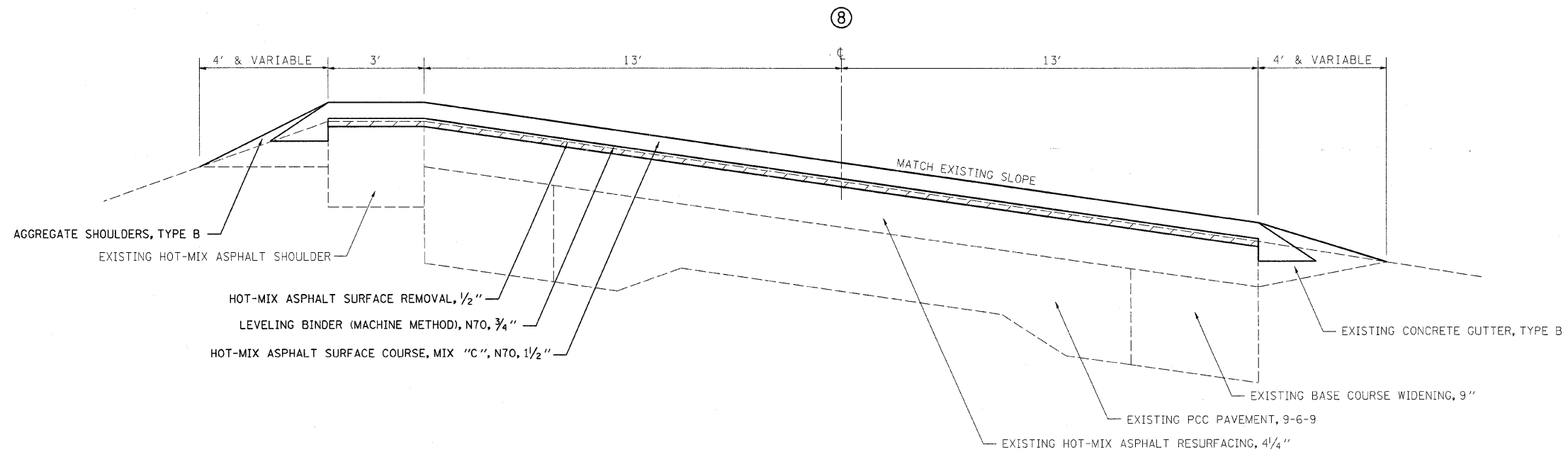


- ③ STA 308+41 TO STA 308+79
- ⑧ STA 311+10 TO STA 313+00
- ⑨ STA 322+50 TO STA 333+29



⑦ STA 308+79 TO STA 311+10

FILE NAME =  
 c:\pvc\_work\pvc\dot\teasleyck\d0123840\077

USER NAME = teasleyck  
 4252-shr-typicals.dgn  
 PLOT SCALE = 50,0000 1/4 in.  
 PLOT DATE = 5/4/2011

DESIGNED -  
 DRAWN -  
 CHECKED -  
 DATE -

REVISED -  
 REVISED -  
 REVISED -  
 REVISED -

**STATE OF ILLINOIS  
 DEPARTMENT OF TRANSPORTATION**

**TYPICALS**

SCALE: SHEET NO. OF SHEETS STA. TO STA.

F.A.P. RTE.	SECTION	COUNTY	TOTAL SHEETS	SHEET NO.
•	(108,109,110)RS-3	Cumberland	56	9
CONTRACT NO. 74252				
ILLINOIS FED. AID PROJECT				