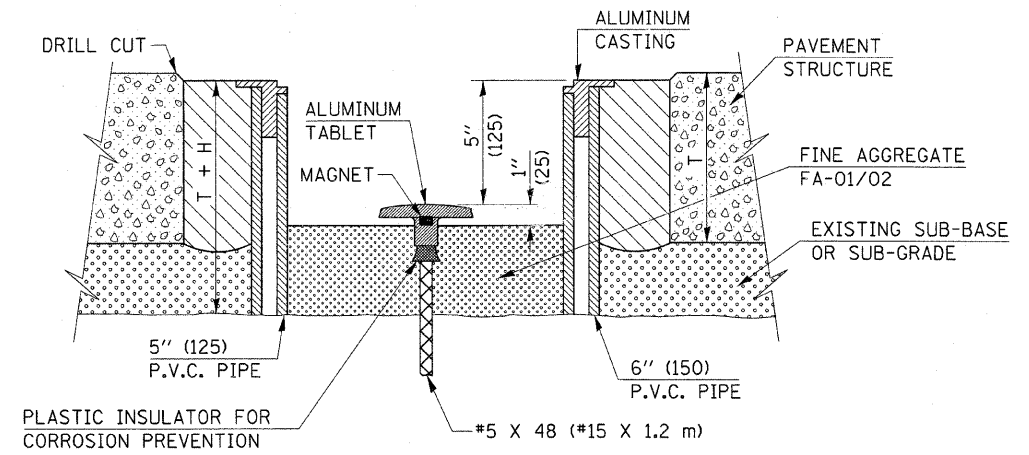
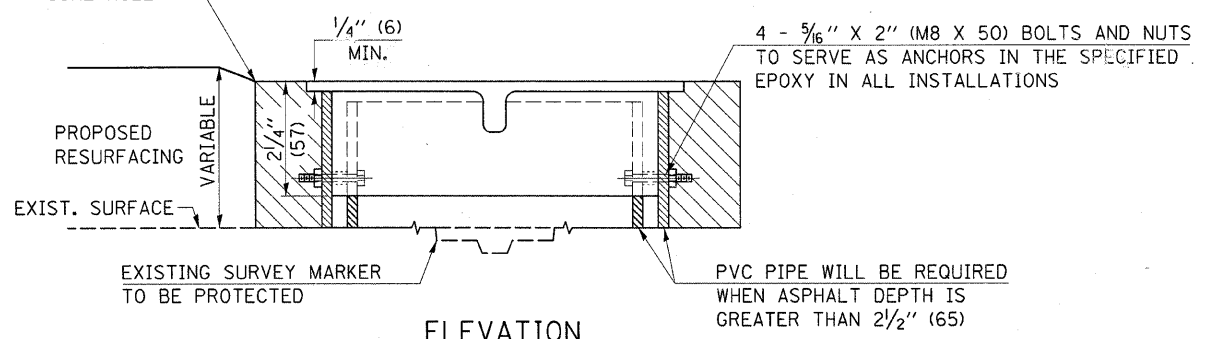
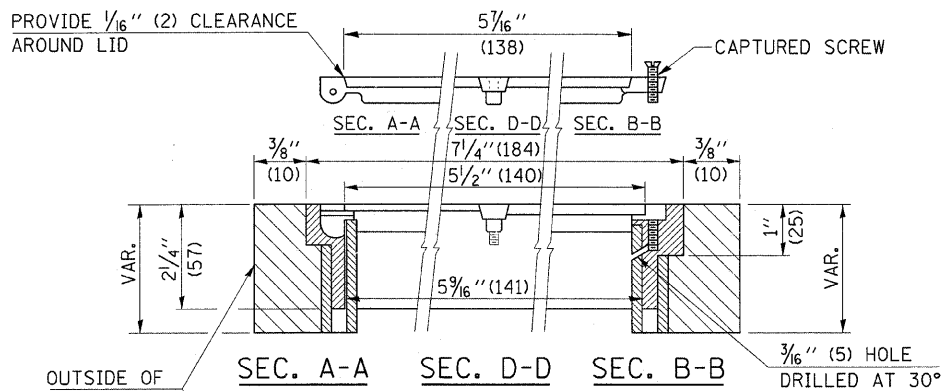
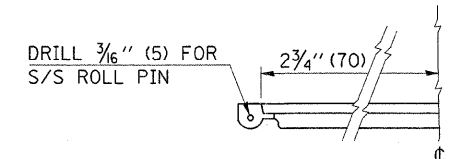
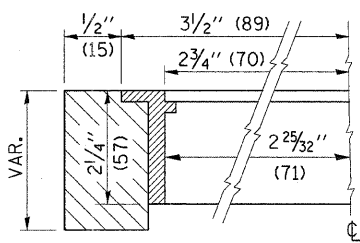


LEGEND

- ALUMINUM CASTING
 - 5" (125) OR 6" (150) P.V.C. PIPE
 - TWO-COMPONENT EPOXY
- T = THICKNESS OF PAVEMENT STRUCTURE
- H = THE THICKNESS OF THE SUB-BASE GRANULAR + 1" (25)

BILL OF MATERIAL	
ALUMINUM CASTING OF THE DIMENSIONS AND SPECIFICATIONS SHOWN OR OTHER SUBJECT TO ENGINEER'S APPROVAL OF SHOP DRAWINGS,	
4 EACH - $\frac{5}{16}$ " X 2" (M8 X 50) BOLTS WITH NUTS, EPOXY,	
5" OR 6" (125 mm OR 150 mm) DIAMETER P.V.C. PIPE, SCHEDULE 40 (WHEN REQUIRED).	



EXISTING SURVEY MARKER

PROPOSED SURVEY MARKER

NOT TO SCALE
 Note: All dimensions are in INCHES (millimeters) unless otherwise shown.

FILE NAME =	USER NAME = teasleyck	DESIGNED -	REVISED - MAD 6-11
ca:\pw_work\pwr\dot\teasleyck\d012384\07	4252-sht-details.dgn	DRAWN -	REVISED -
	PLOT SCALE = 20.0000' / 1"	CHECKED -	REVISED -
	PLOT DATE = 2/2/2012	DATE -	REVISED -

STATE OF ILLINOIS
 DEPARTMENT OF TRANSPORTATION

SURVEY MARKER VAULTS			
SCALE:	SHEET 1	OF 1 SHEETS	STA. TO STA.

DISTRICT 7 DETAIL NO. Z0070202			
F.A.P. RTE.	SECTION	COUNTY	TOTAL SHEETS NO.
	(108,109,110)RS-3	Cumberland	50 11A
			CONTRACT NO. 74252
ILLINOIS FED. AID PROJECT			