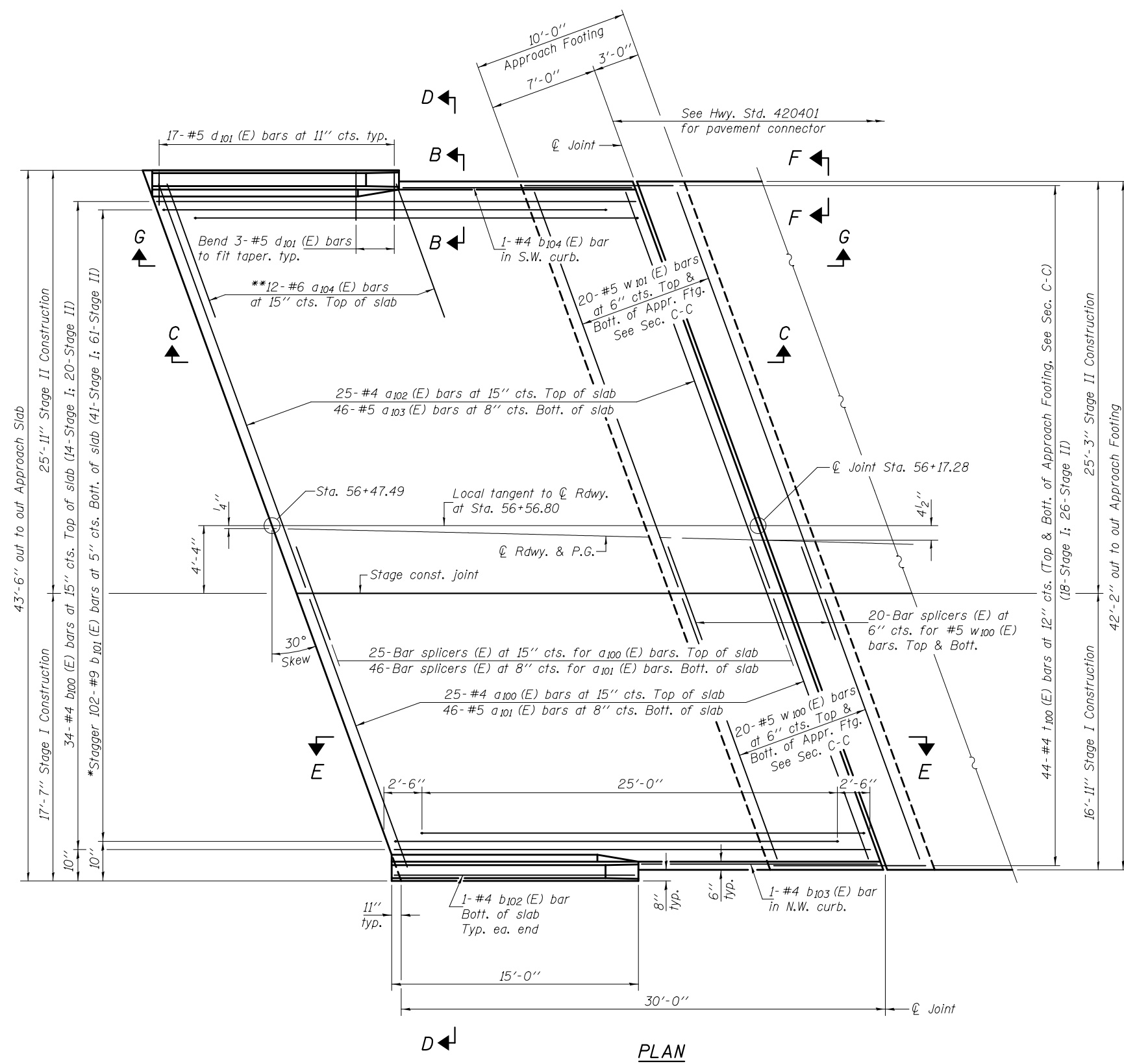
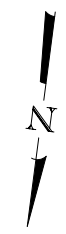
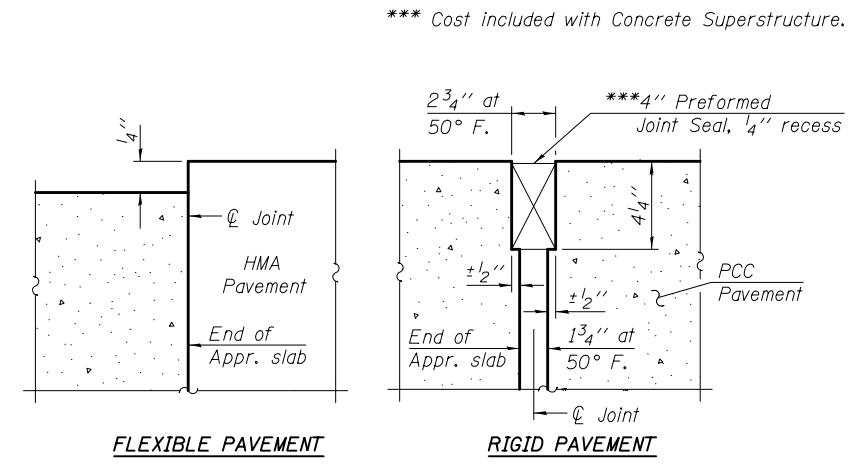


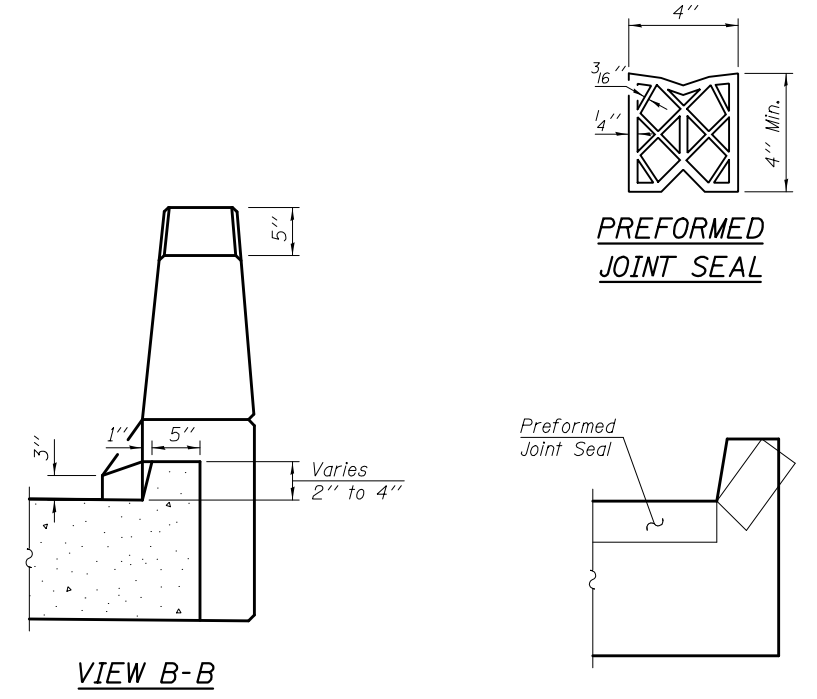
Notes:
 See sheet 16 of 26 for Sections C-C & D-D and View E-E.
 a₁₀₀ (E), a₁₀₁ (E), a₁₀₂ (E), a₁₀₃ (E), w₁₀₀ (E), & w₁₀₁ (E) bar
 spacings measured along local tangent to ϕ Rdwy. at Sta. 56+56.80.



*Tilt #9 b₁₀₁ (E) bars as required to maintain clearance.
 **Space between a₁₀₀ (E) bars, typ. each parapet.



DETAIL A



Angle Preformed Joint Seal at 45°
 at curbs when req'd for drainage.

DESIGNED - Stephen M. Ryan	EXAMINED - <i>Thomas Domagalick</i> ENGINEER OF BRIDGE DESIGN	DATE - MARCH 20, 2012	STATE OF ILLINOIS DEPARTMENT OF TRANSPORTATION	WEST BRIDGE APPROACH SLAB DETAILS STRUCTURE NO. 060-0204	F.A.S. RTE.	SECTION	COUNTY	TOTAL SHEETS	SHEET NO.
CHECKED - Fess Teklehaimanot	PASSED - <i>Carl Perry</i> ENGINEER OF BRIDGES AND STRUCTURES	REVISED			770	64-1BR	MADISON	137	88
DRAWN - h.t. duong		REVISED			CONTRACT NO. 76401				
CHECKED - GRA/SMR/FT					SHEET NO. 14 OF 26 SHEETS				
					ILLINOIS FED. AID PROJECT				