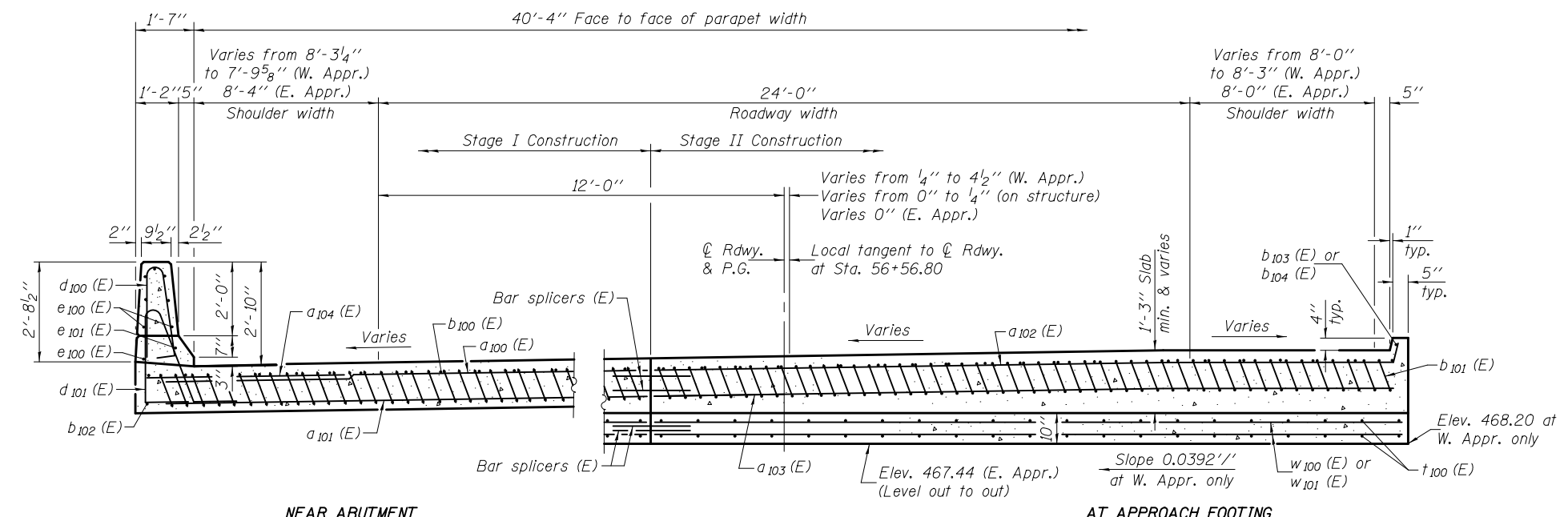


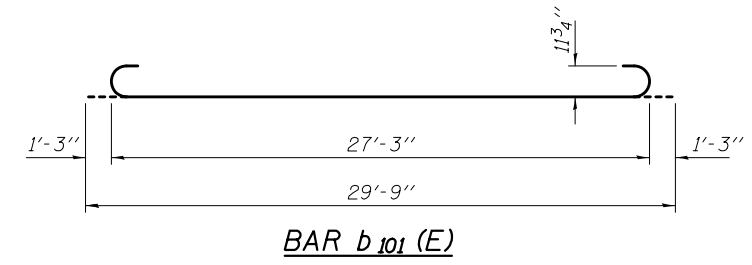
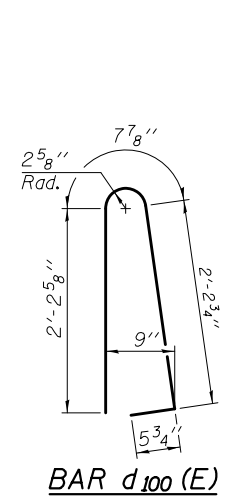
SECTION C-C

Notes:

See sheet 14 of 26 for Detail A and View B-B.
 Approach slab and parapet concrete shall be paid for as Concrete Superstructure.
 Approach footing concrete shall be paid for as Concrete Structures.
 Reinforcement shall be paid for as Reinforcement Bars, Epoxy Coated.
 For v(E) bar details, see sheet 11 of 26.
 The approach footing maximum applied service bearing pressure (Qmax) = 2.0 ksf.
 For bar splicer details, see sheet 21 of 26.
 Cost of excavation for approach footing included with Concrete Structures.
 For Porous Granular Embankment (Special) and drainage treatment details, see sheet 2 of 26.
 For additional parapet details, see sheet 11 of 26.



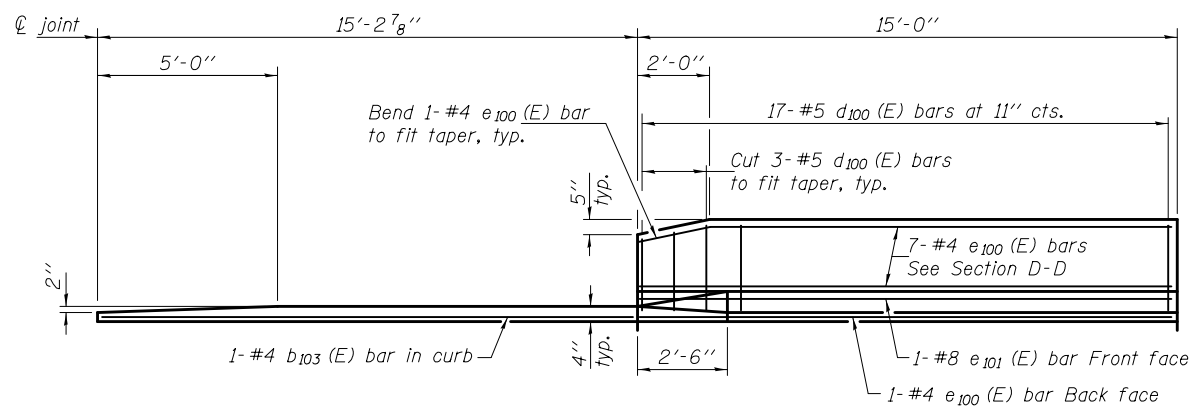
SECTION D-D
(See Plan for dimensions not shown)



*Tilt #9 b101 (E) bars as required to maintain clearance.
 ***Cost included with Concrete Superstructure.

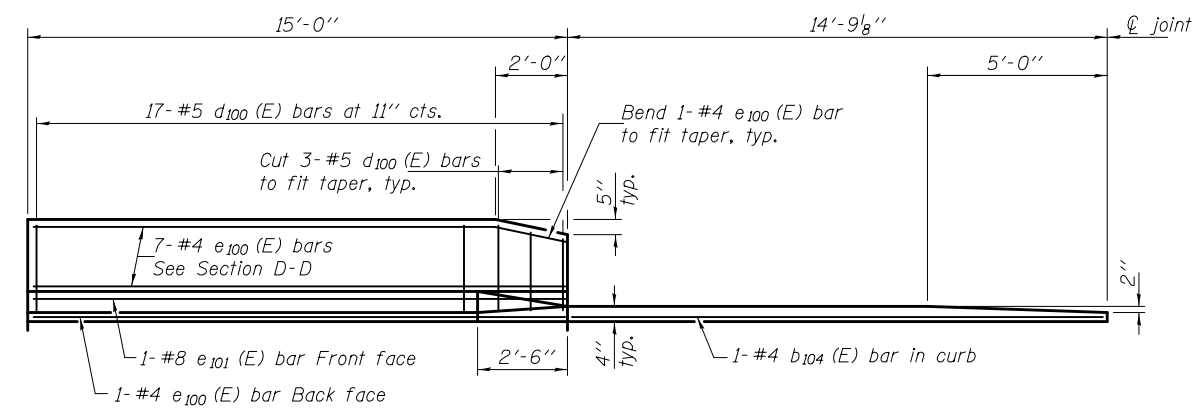
**TWO APPROACHES
BILL OF MATERIAL**

Bar	No.	Size	Length	Shape
a100 (E)	50	#4	19'-4"	┌
a101 (E)	92	#5	19'-2"	┌
a102 (E)	50	#4	29'-0"	┌
a103 (E)	92	#5	28'-9"	┌
a104 (E)	48	#6	6'-6"	┌
b100 (E)	68	#4	29'-8"	┌
b101 (E)	204	#9	29'-9"	┌
b102 (E)	4	#4	14'-8"	┌
b103 (E)	2	#4	15'-1"	┌
b104 (E)	2	#4	14'-4"	┌
d100 (E)	68	#5	5'-7"	┌
d101 (E)	68	#5	7'-11"	┌
e100 (E)	32	#4	14'-8"	┌
e101 (E)	4	#8	14'-8"	┌
t100 (E)	176	#4	11'-2"	┌
w100 (E)	80	#5	19'-2"	┌
w101 (E)	80	#5	28'-9"	┌
Concrete Superstructure		Cu. Yd.	128.0	
Concrete Structures		Cu. Yd.	31.0	
Reinforcement Bars, Epoxy Coated		Pound	35480	



VIEW E-E

(North dimensions at W. Appr.; South dimensions at E. Appr.)
 (Dimensions measured along inside of curbs)



VIEW G-G

(South dimensions at W. Appr.; North dimensions at E. Appr.)
 (Dimensions measured along inside of curbs)

DESIGNED - Stephen M. Ryan	EXAMINED - Thomas Domagalicki	DATE - MARCH 20, 2012
CHECKED - Eass Teklehmanot	PASSED - [Signature]	REVISOR -
DRAWN - b.t. duong	ENGINEER OF BRIDGES AND STRUCTURES	REVISOR -
CHECKED - GRA/SMR/FT		

**STATE OF ILLINOIS
DEPARTMENT OF TRANSPORTATION**

**BRIDGE APPROACH SLAB DETAILS
STRUCTURE NO. 060-0204**

SHEET NO. 16 OF 26 SHEETS

F.A.S. RTE.	SECTION	COUNTY	TOTAL SHEETS	SHEET NO.
770	64-1BR	MADISON	137	90
CONTRACT NO. 76401			ILLINOIS FED. AID PROJECT	