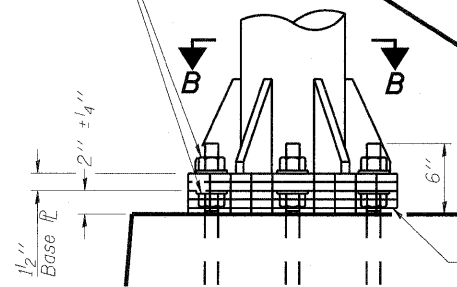


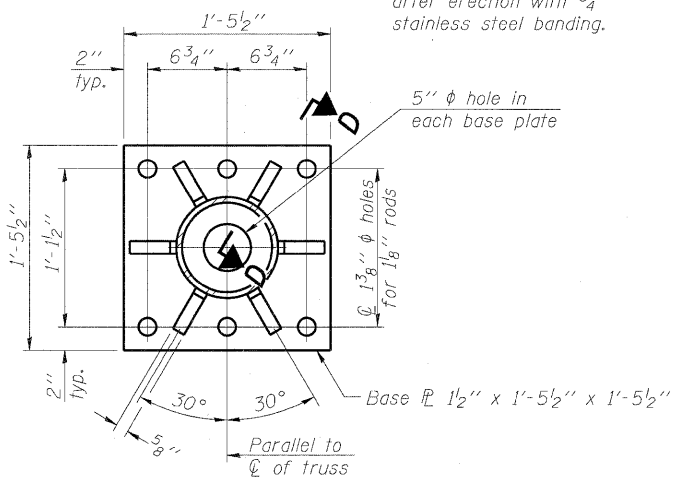
Hexagon locknut and washer (top), leveling nut and washer (bottom). Galvanize per AASHTO M232. Nuts shall also be tightened against base plate with 200 lb.-ft. minimum torque.



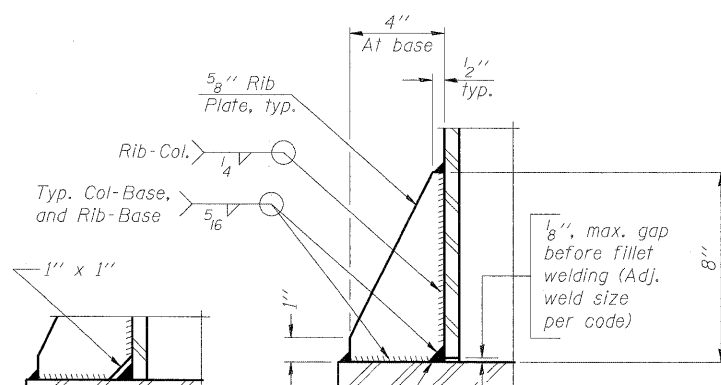
DETAIL B

Ribs shall be cut to fit slope of pipe.

Stainless Steel Standard Grade Wire Cloth, 3" wide, 1/4" maximum opening with a minimum wire diameter of AWG. No. 16 with a minimum 2" lap. Secure to base plate after erection with 3/4" stainless steel banding.



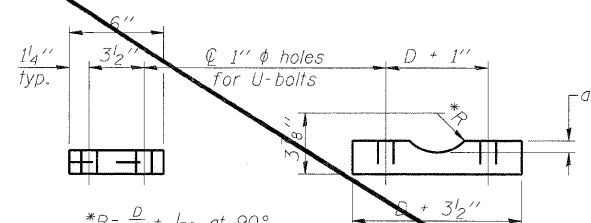
SECTION B-B



SECTION D-D

** Alternate detail if welding col. to base plate first, then snip inside corner of ribs. Terminate weld on rib 1/4" from snip.

No snip req'd. at rib inside corner if placed before col. to base plate welding.**

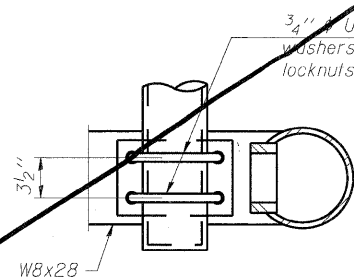


SADDLE SHIM DETAIL

ASTM B26 Alloy 356-F or ASTM B209 Alloy 6061-T651 (4 required per sign truss)

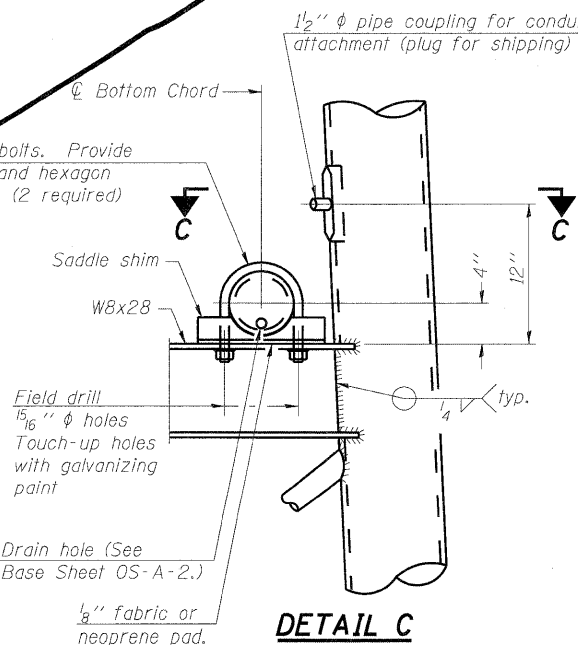
Truss Chord Nominal Dia.	a
5"	3 3/4"
5 1/2"	4 1/4"
6"	5 1/8"
6 1/2"	5 15/16"

*R = $\frac{D}{2} + \frac{1}{32}$ at 90°
D = Outside Diameter of Chord.

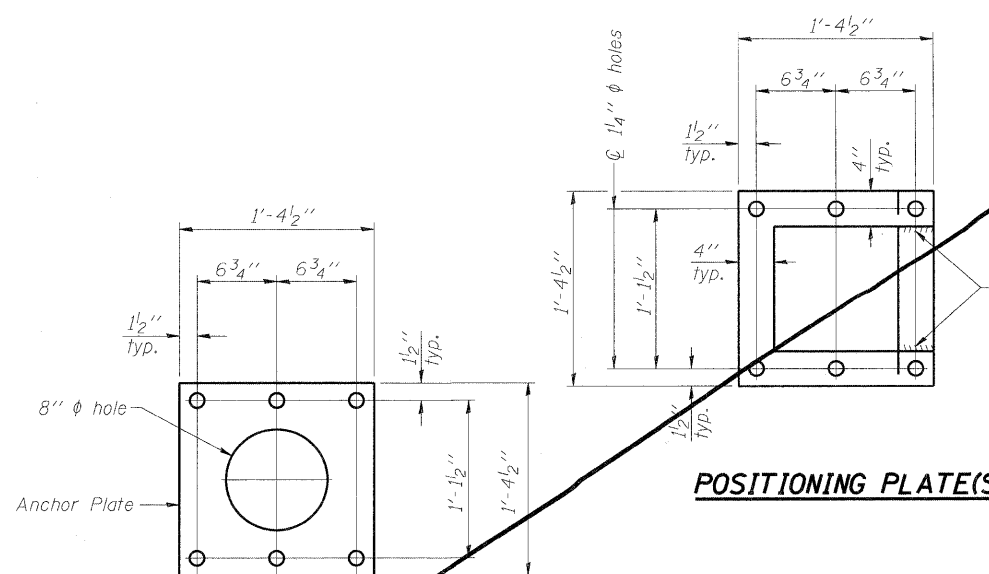


SECTION C-C

(Handhole cover not shown)

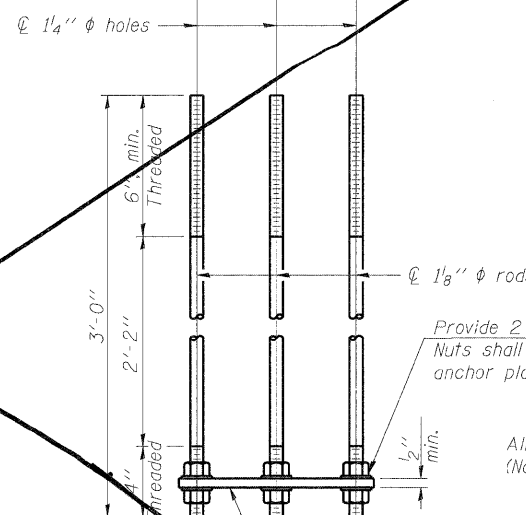


DETAIL C



POSITIONING PLATE(S)

Optionally may use four (4) separate bars. Weld to maintain perpendicularity.

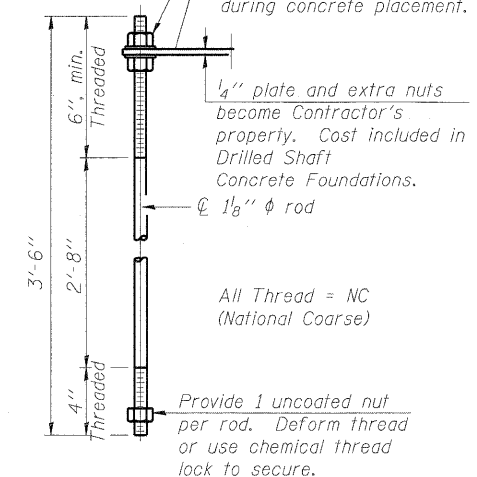


ANCHOR ROD DETAIL

Spread Footing Foundation

Provide 2 uncoated nuts per rod. Nuts shall be "snug tight" against anchor plate.

All Thread = NC (National Coarse)



ANCHOR ROD DETAIL

Drilled Shaft Foundation

At each location, provide 1/4" thick positioning plate(s) and six (6) additional nuts to be used with leveling nuts to maintain anchor bolts position during concrete placement.

1/4" plate and extra nuts become Contractor's property. Cost included in Drilled Shaft Concrete Foundations.

All Thread = NC (National Coarse)

Provide 1 uncoated nut per rod. Deform thread or use chemical thread lock to secure.

Anchor rods shall conform to AASHTO M314 Grade 36 or 55 and meet Charpy V-Notch (CVN) energy of 15 lb.-ft. at 40° F. Galvanize upper 12" per AASHTO M232. No welding shall be permitted on rods.

TYPE I-A TRUSS
8" Ø PIPE SUPPORT FRAME DETAILS

OS-A-4A

7-1-10

FILE NAME =	USER NAME =	DESIGNED - PMK	REVISED -
		CHECKED - MPW	REVISED -
PLDT SCALE =		DRAWN - PMK	REVISED -
PLDT DATE =		CHECKED - MPW	REVISED -

STATE OF ILLINOIS
DEPARTMENT OF TRANSPORTATION

OVERHEAD SIGN STRUCTURES
SUPPORT FRAME DETAILS - ALUMINUM TRUSS

SHEET NO. 4 OF 17 SHEETS

F.A.I. RTE.	SECTION	COUNTY	TOTAL SHEETS	SHEET NO.
•	82-1-R(A), 82-1-R(B)	ST. CLAIR	629	400
	•64/998/70		CONTRACT NO. 76C52	
		ILLINOIS FED. AID PROJECT		