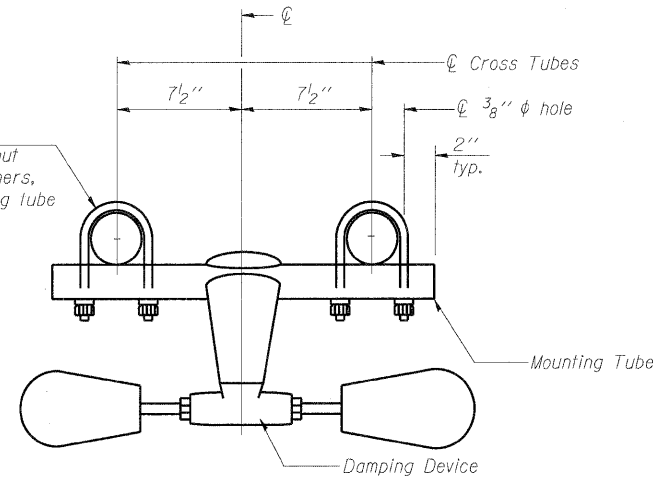
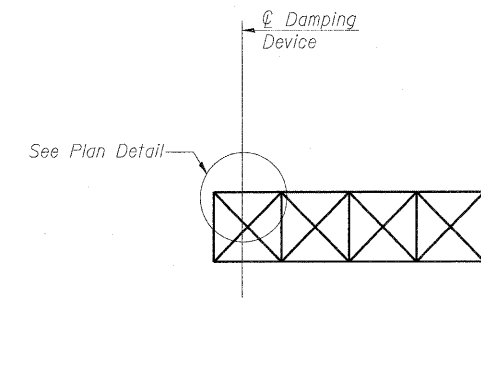


PLAN DETAIL

5/16" stainless steel U-bolt with hot dip galvanized locknut and two stainless steel washers, typ. 3/8" holes in mounting tube



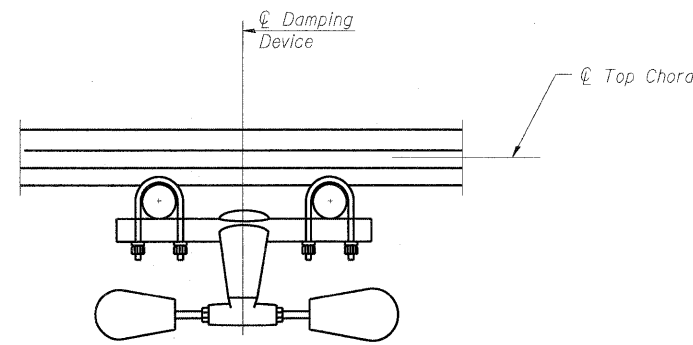
TRUSS DAMPING DEVICE CONNECTION DETAIL



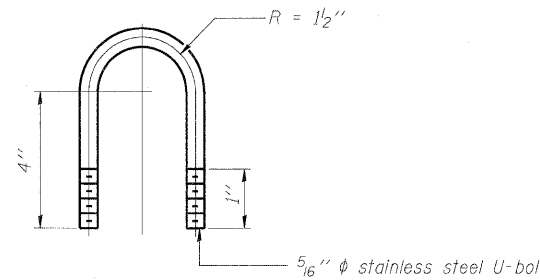
ELEVATION
Aluminum Cantilever Sign Structure

GENERAL NOTES

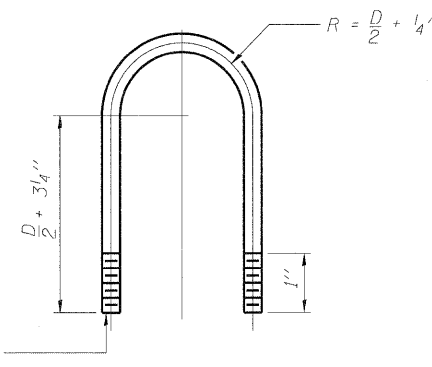
- Damper: One damper per truss. (31 lbs. Stockbridge-Type Aluminum-29" minimum between ends of weights)
- Materials: Aluminum tubes shall be ASTM B221 alloy 6061 temper T6



SECTION A-A



DAMPING DEVICE MOUNTING TUBE U-BOLT DETAIL
(Typical)



TOP CHORD TO CROSS TUBE U-BOLT DETAIL
(Typical)

OSC-A-D

12-1-08

FILE NAME =	USER NAME =	DESIGNED - PMK	REVISED -	STATE OF ILLINOIS DEPARTMENT OF TRANSPORTATION	CANTILEVER SIGN STRUCTURE DAMPING DEVICE	F.A.I. RTE.	SECTION	COUNTY	TOTAL SHEETS	SHEET NO.
		CHECKED - MPW	REVISED -			82-1-RIA, 82-1-R(B)	ST. CLAIR	629	416	
		DRAWN - PMK	REVISED -			*64/998/70	CONTRACT NO. 76C52			
		CHECKED - MPW	REVISED -			ILLINOIS FED. AID PROJECT				
						SHEET NO. 3 OF 13 SHEETS				