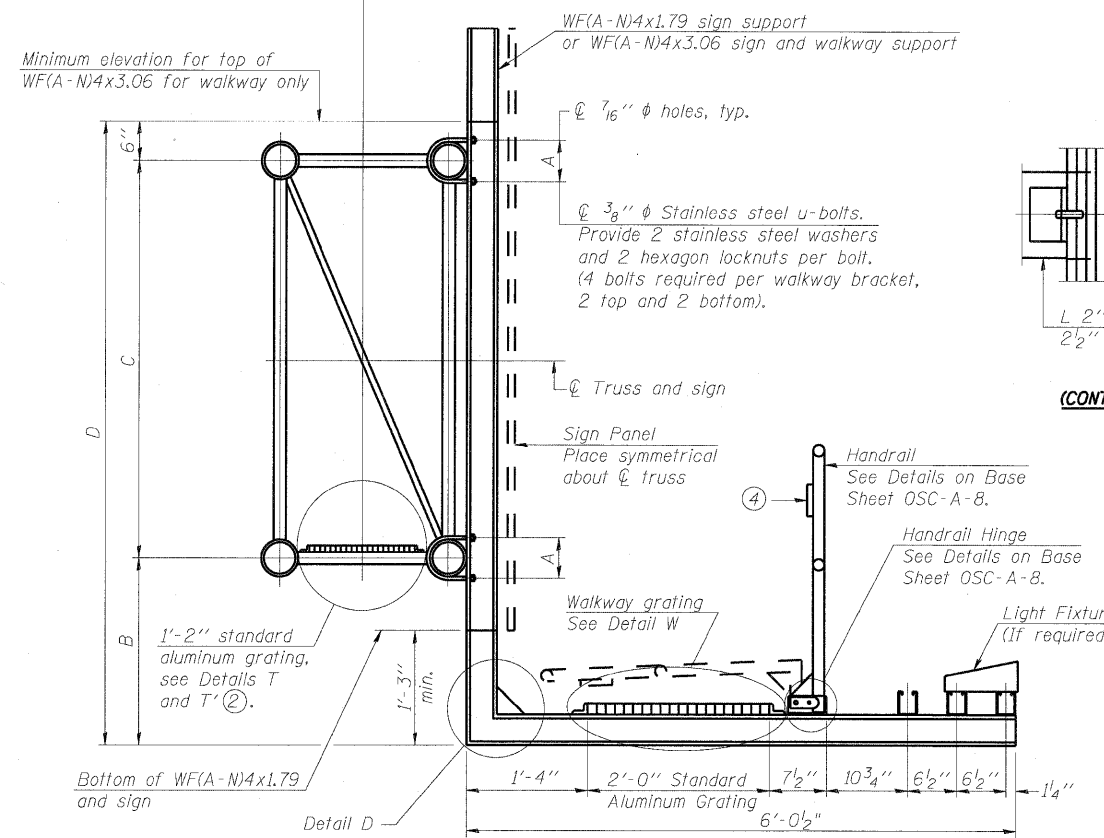


SPECIFICATIONS FOR STANDARD ALUMINUM GRATING

Main Bearing Bars (MBB) shall be 3/16" x 1 1/2" on 1 3/16" centers and conform to ASTM B211 Alloy 6061-T6.
 Cross bars (CB) shall be 3/16" x 1 1/2" on 4" centers and conform to ASTM B221 Alloy 6063-T5 or 6061-T6.

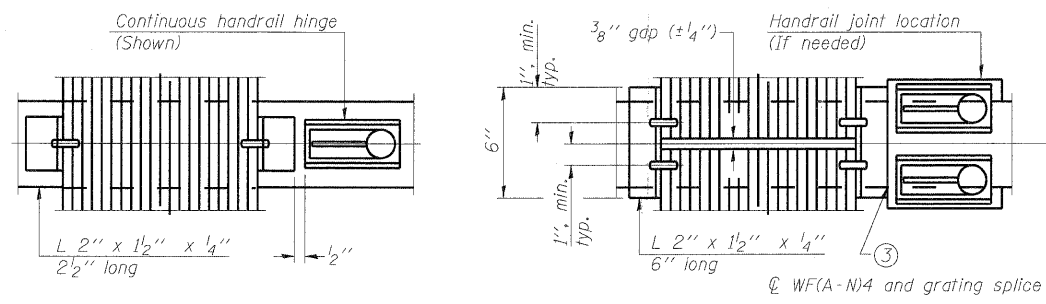
OR

Aluminum Grating with modified "I" sections for main bearing bars shall meet the following requirements:
 Main bars shall conform to ASTM B221 Alloy 6061-T6 and have a minimum section modulus equal to 0.0705 in.³ per bar, a depth of 1 1/2", spaced on 1 3/16" centers.
 Cross bars shall conform to ASTM B221 Alloy 6063-T5 or T-42 and spaced on 4" centers.



SECTION B-B

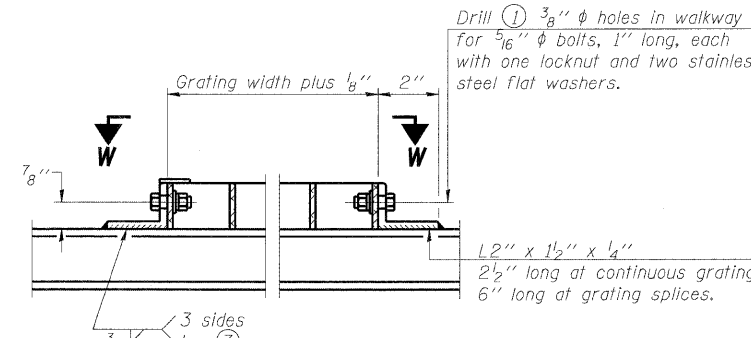
Sign shall be even with the top of the bracket, but it may extend no more than 6" above the top of the bracket for field adjustments.



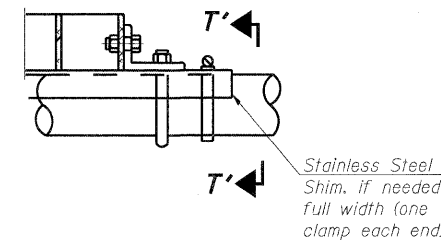
(CONTINUOUS WALKWAY GRATING)

SECTION W-W

(AT WALKWAY GRATING SPLICE)

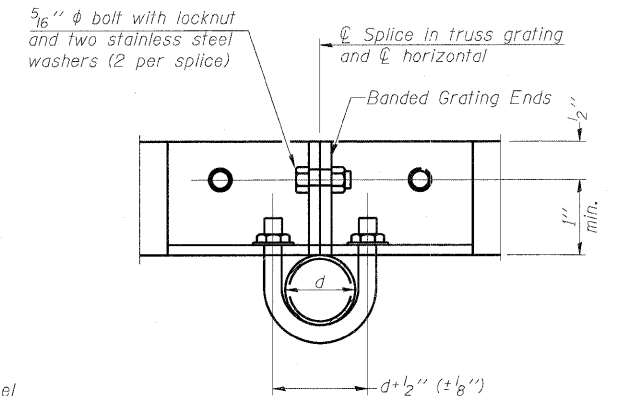


DETAIL W
(Walkway grating)

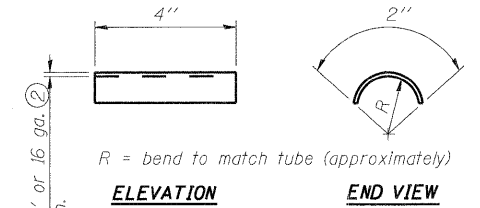


DETAIL T'

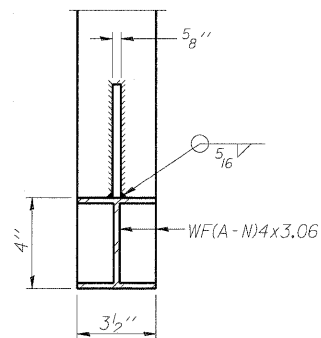
(Truss grating splice)
 Details not shown same as Detail T.
 Alternate materials may be used subject to the Engineer's review and approval.



SECTION T'-T'

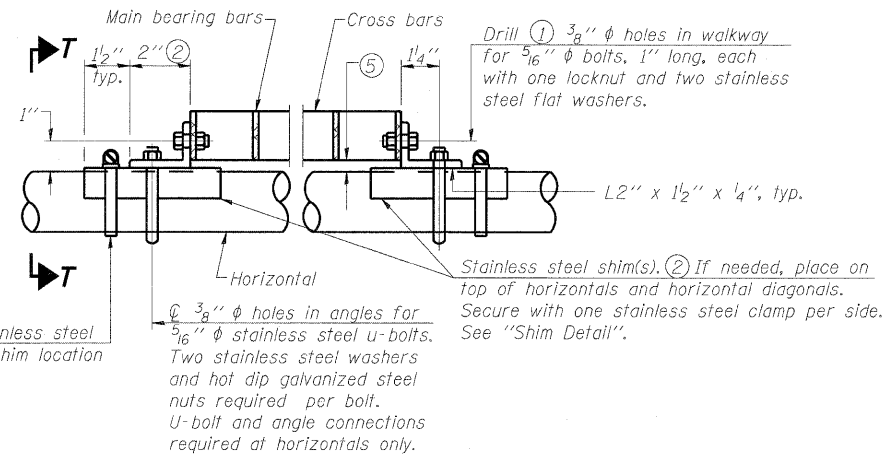


SHIM DETAIL
 ELEVATION END VIEW



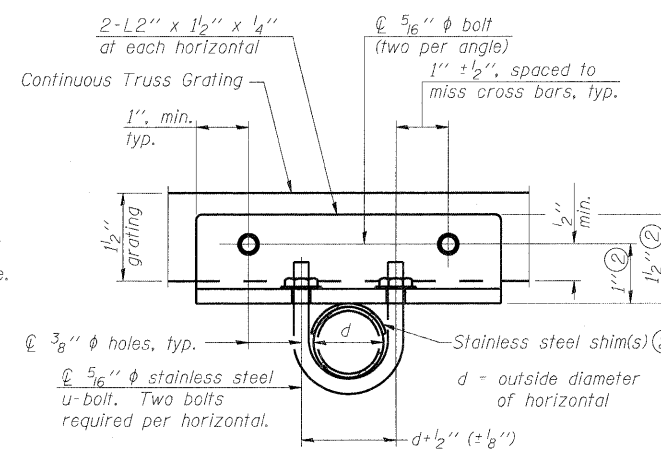
SECTION D-D

Screw type stainless steel tube clamp at shim location



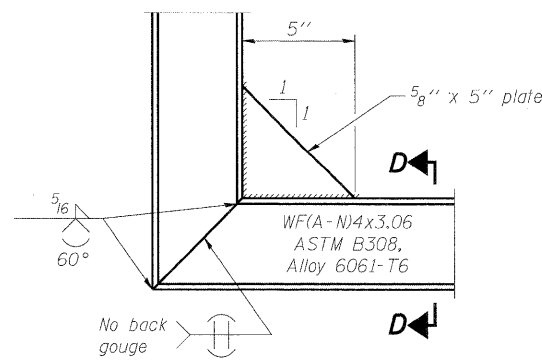
DETAIL T

(Continuous Truss grating)



SECTION T-T

NUMBER	REVISION	DATE



DETAIL D

Structure Number	Station	A	⑥ B	C	⑥ D
8C0821055L002.7	91+32.00	0'-7 1/2"	5'-3"	7'-0"	12'-9"
8C0821055R002.2	120+97.00	0'-7"	6'-0"	5'-6"	12'-0"
8C082LBAUGHR	14+03.00	0'-5"	6'-6"	4'-6"	11'-6"

OSC-A-7

6-1-09