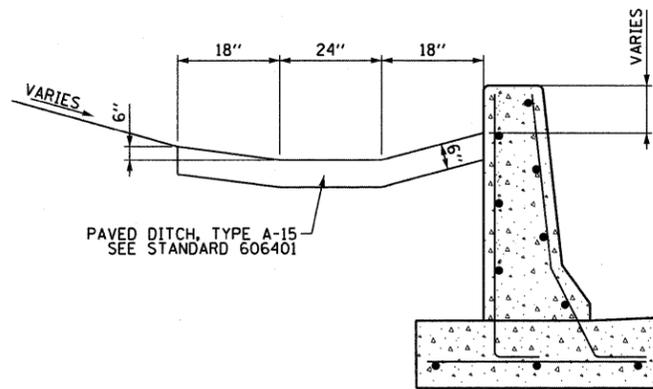


CONCRETE BARRIER, SINGLE FACE, 42 INCH HEIGHT (SPECIAL)

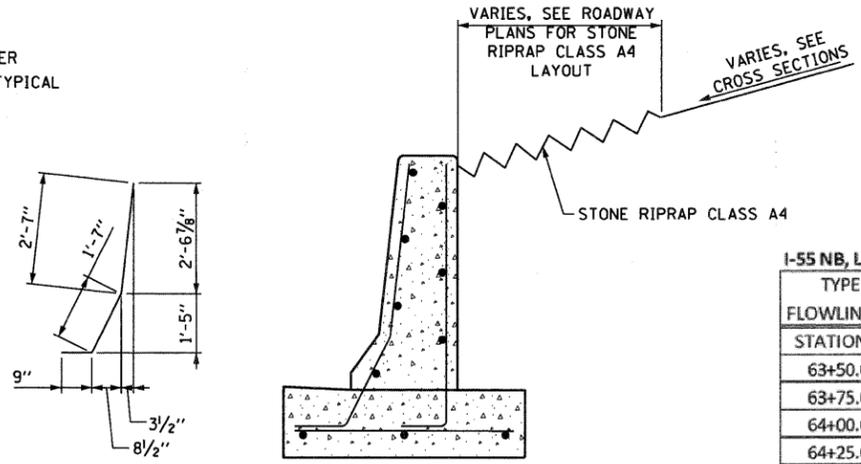
ALIGNMENT	FROM STA	TO STA	OFFSET RT OR LT
55N64E	62+82.71	64+70.00	LT
55N64E	64+58.92	66+70.67	RT
70E64E	66+75.00	66+85.00	LT
64W55S	120+09.49	120+73.23	RT
64W55S	128+81.65	131+56.95	RT
64W55N	60+36.65	61+00.00	LT
RAMP P	28+94.28	37+24.71	RT
55NB	68+13.60	69+57.16	RT

NOTE: DIMENSIONS AND REINFORCEMENT DETAILS APPLY TO ALL CONCRETE BARRIER, SINGLE FACE, 42 INCH HEIGHT (SPECIAL) SHOWN IN THE PLANS



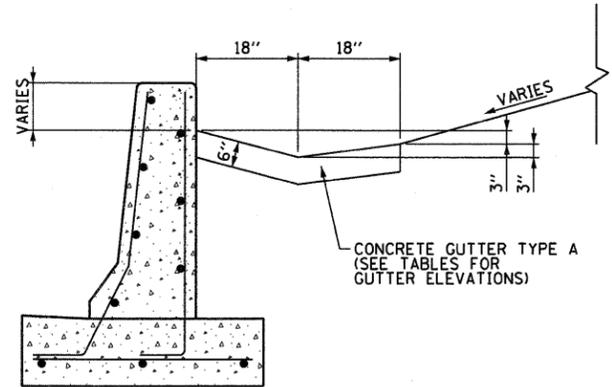
CONCRETE BARRIER, SINGLE FACE, 42 INCH HEIGHT (SPECIAL) WITH PAVED DITCH, TYPE A-15

ALIGNMENT	FROM STA	TO STA	OFFSET RT OR LT
64W55N	59+41.51	60+36.65	LT



CONCRETE BARRIER, SINGLE FACE, 42 INCH HEIGHT (SPECIAL) WITH STONE RIPRAP CLASS A4

ALIGNMENT	FROM STA	TO STA	OFFSET RT OR LT
64W55S	117+72.77	120+09.49	RT
64W70W	62+51.36	64+87.96	LT
55NB	67+12.87	68+13.60	RT
55NB	68+99.24	76+06.34	LT
55S64E	12+25.43	15+89.98	LT
64W55N	61+60.00	62+70.00	RT
RAMP P	24+75.25	25+70.87	RT



CONCRETE BARRIER, SINGLE FACE, 42 INCH HEIGHT (SPECIAL) WITH CONCRETE GUTTER TYPE A

ALIGNMENT	FROM STA	TO STA	OFFSET RT OR LT
55NB	63+50.00	66+26.87	LT
55NB	66+34.75	68+52.24	LT
64W55N	61+00.00	61+60.00	RT
64W55N	62+70.00	63+90.00	RT
RAMP P	26+14.00	28+94.28	RT

I-55 NB, LT

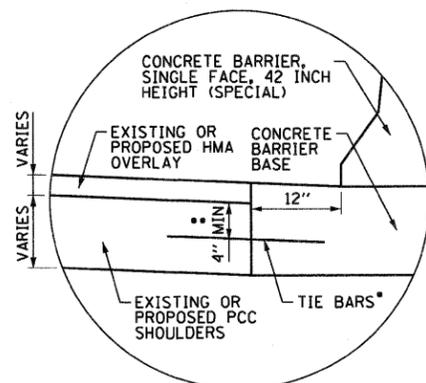
TYPE A GUTTER FLOWLINE ELEVATIONS	
STATION	ELEVATION
63+50.00	392.10
63+75.00	391.79
64+00.00	391.47
64+25.00	390.46
64+50.00	389.44
64+75.00	389.08
65+00.00	388.71
65+25.00	388.35
65+50.00	387.99
65+75.00	387.63
66+00.00	387.26
66+25.00	387.62
66+26.87	387.64

I-55 NB, LT

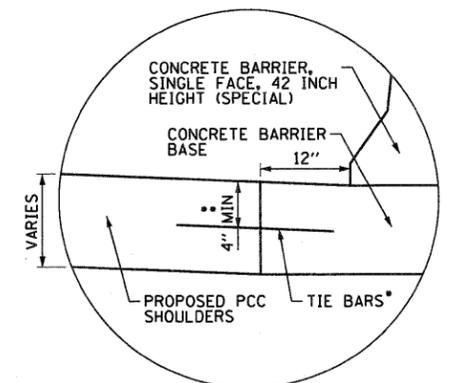
TYPE A GUTTER FLOWLINE ELEVATIONS	
STATION	ELEVATION
66+34.75	386.69
66+50.00	386.54
66+75.00	386.18
67+00.00	385.81
67+25.00	385.45
67+50.00	385.09
67+75.00	384.73
68+00.00	384.36
68+22.00	384.15
68+25.00	384.45
68+50.00	384.75
68+52.24	384.77

RAMP P, RT

TYPE A GUTTER FLOWLINE ELEVATIONS	
STATION	ELEVATION
26+14.00	410.27
26+25.00	410.22
26+50.00	410.09
26+75.00	409.97
27+00.00	409.84
27+05.00	409.81
27+25.00	410.27
27+50.00	410.87
27+75.00	411.47
28+00.00	412.07
28+25.00	412.67
28+50.00	413.27
28+75.00	413.87
28+94.28	414.34



DETAIL A SCALE: NONE



DETAIL B SCALE: NONE

- HORIZONTAL TIE BARS SHALL BE NO. 6 EPOXY COATED, 24" LONG, 24" C-C AND SHALL BE INCLUDED IN THE COST OF THE BARRIER BASE.
- THE TIE IN BETWEEN THE EXISTING OR PROPOSED SHOULDERS AND THE CONCRETE BARRIER BASE SHALL BE AT THE MIDDLE OF THE PCC SHOULDERS, OTHERWISE A MINIMUM OF 4" CLEARANCE FROM THE BOTTOM OF EXISTING OR PROPOSED OVERLAY SHALL BE PROVIDED AT THE TIE-IN.

64W55N, LT

TYPE A GUTTER FLOWLINE ELEVATIONS	
STATION	ELEVATION
59+41.51	403.71
59+50.00	403.41
59+60.00	403.11
59+70.00	402.81
59+80.00	402.51
59+90.00	402.21
60+00.00	401.91
60+10.00	401.61
60+20.00	401.31
60+25.00	401.16
60+30.00	401.19
60+36.65	401.22

RAMP 64W55N, RT

TYPE A GUTTER FLOWLINE ELEVATIONS	
STATION	ELEVATION
61+00.00	394.46
61+02.00	394.42
61+10.00	394.51
61+20.00	394.63
61+30.00	394.74
61+40.00	394.85
61+50.00	394.98
61+60.00	395.08

NOTES:

- DIMENSIONS AND REINFORCEMENT DETAILS APPLY TO ALL CONCRETE BARRIER, SINGLE FACE, 42 INCH HEIGHT (SPECIAL) SHOWN IN THE PLANS
- THERE SHALL BE A MINIMUM 6" OVERLAP BETWEEN CONCRETE THICKNESS IN BARRIER WALL BASE AND CONCRETE THICKNESS IN ADJACENT SHOULDER TO PROVIDE ADEQUATE CONCRETE ABOVE AND BELOW THE TIE BAR.
- TOP SHOULDER EDGE OF BARRIER BASE GUTTER SHALL MATCH THE TOP OF SHOULDER ELEVATION.
- CONCRETE BARRIER FOOTING SHALL EXTEND 1' INTO THE SHOULDER AND THE FACE OF BARRIER SHALL BE CONSIDERED THE EDGE OF SHOULDER.
- CONTRACTION AND EXPANSION JOINTS SHALL BE IN ACCORDANCE WITH ARTICLE 637.08 OF THE STANDARD SPECIFICATIONS.
- REINFORCING BARS SHALL MEET THE REQUIREMENTS OF AASHTO M31 (ASTM A615), GRADE 60, AND SHALL CONFORM TO SECTION 508 OF THE STANDARD SPECIFICATIONS.
- REINFORCING BARS DESIGNATED "E" SHALL BE EPOXY COATED.
- REINFORCEMENT BENDING DETAILS SHALL BE IN ACCORDANCE WITH THE "MANUAL OF STANDARD PRACTICE FOR DETAILING REINFORCED CONCRETE STRUCTURES", ACI 315, LATEST EDITION.
- REINFORCEMENT BAR BENDING DIMENSIONS ARE OUT TO OUT.
- 3/4" PREFORMED JOINT FILLER SHALL BE USED WHERE CONCRETE BARRIER, SINGLE FACE, 42 INCH HEIGHT MEETS CONCRETE BARRIER, SINGLE FACE, 42 INCH HEIGHT (SPECIAL). PAYMENT SHALL BE INCLUDED IN COST OF CONCRETE BARRIER, SINGLE FACE, 42 INCH HEIGHT

FILE NAME = D8T1-76C52-ehd-details_02.dgn

USER NAME = sear-sb
 DESIGNED CRH
 DRAWN CRH
 CHECKED DBM
 PLOT SCALE = 20.000' / 1"
 PLOT DATE = 1/24/2012

DESIGNED CRH
 DRAWN CRH
 CHECKED DBM
 DATE 1-20-2012

REVISED -
 REVISED -
 REVISED -
 REVISED -

STATE OF ILLINOIS DEPARTMENT OF TRANSPORTATION

ROADWAY DETAILS

SCALE: NONE SHEET NO. 2 OF 26 SHEETS STA. TO STA.

F.A.I. RTE.	SECTION	COUNTY	TOTAL SHEETS	SHEET NO.
64/998/70	82-1(RIA), 82-1(RIB)	ST. CLAIR	629	499
FED. ROAD DIST. NO.		ILLINOIS FED. AID PROJECT		CONTRACT NO. 76C52