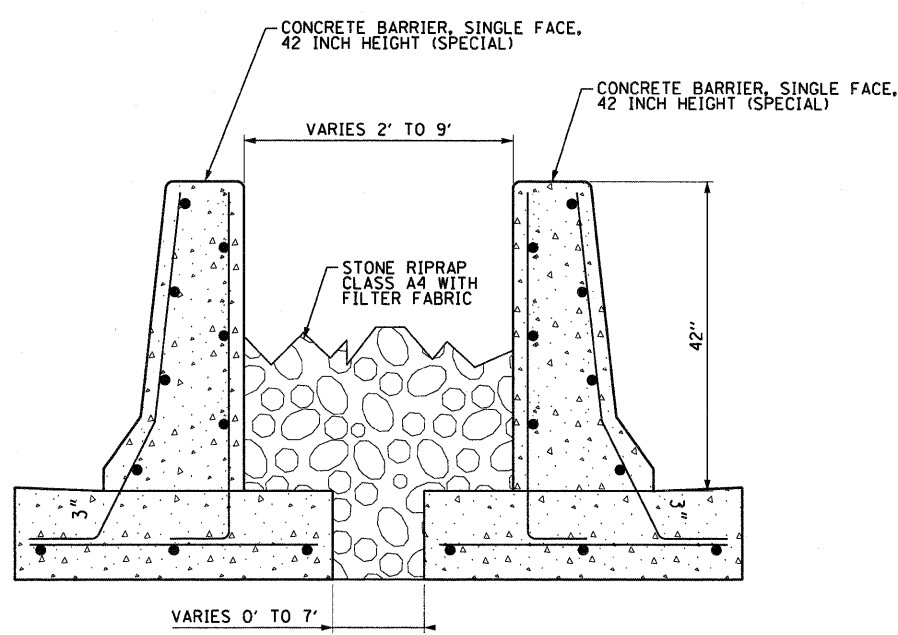
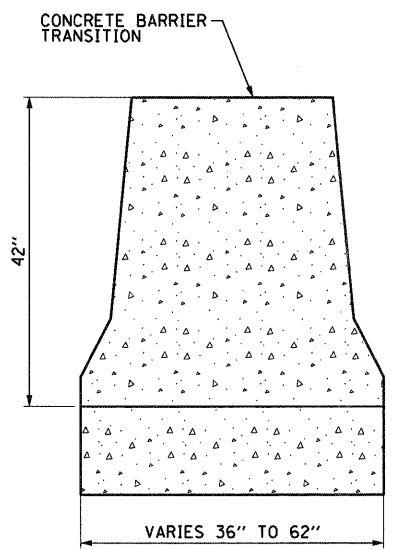


PLAN
CONCRETE BARRIER TRANSITION AT RAMP 64W70W AND RAMP 64W55S SPLIT



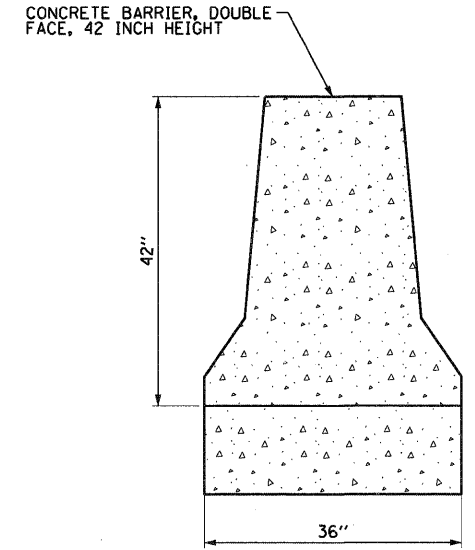
SECTION A-A
SCALE: NONE

STA 117+12.66 TO 120+09.30 (RAMP 64W55S)



SECTION B-B
SCALE: NONE

STA 117+12.66 TO 117+72.77 (RAMP 64W55S)



SECTION C-C
SCALE: NONE

STA 116+67.53 TO 117+12.66 (RAMP 64W55S)

* SEE IDOT STD. 637006 FOR DIMENSIONS OF CONCRETE BARRIER, DOUBLE FACE, 42" HEIGHT

NOTES:

1. ALL STATIONING BASED OFF OF NB I-55 R
2. SEE ROADWAY DETAIL SHEET 499 FOR CONCRETE BARRIER, SINGLE FACE, 42" HEIGHT (SPECIAL) DIMENSIONS
3. SEE ROADWAY DETAIL SHEET 501 FOR CONCRETE BARRIER, DOUBLE FACE, 42" HEIGHT LAYOUT INFORMATION (STATIONS, ELEVATIONS, AND OFFSETS)
4. CONTRACTION AND EXPANSION JOINTS SHALL BE IN ACCORDANCE WITH ARTICLE 637.08 OF THE STANDARD SPECIFICATIONS, EXCEPT AS SHOWN ON THE PLANS.

FILE NAME = DBTr1-76C52-sht-details_10.dgn	USER NAME = searsb	DESIGNED CRH	REVISED -	STATE OF ILLINOIS DEPARTMENT OF TRANSPORTATION	ROADWAY DETAILS			F.A.I. RTE.	SECTION	COUNTY	TOTAL SHEETS	SHEET NO.
	PLOT SCALE = 20.0000' / 1"	DRAWN BS	REVISED -					82-1-RIA, 82-1-RIB)	ST. CLAIR	629	507	
	PLOT DATE = 1/24/2012	CHECKED DBM	REVISED -		SCALE: 1" = 10'	SHEET NO. 10 OF 26 SHEETS	STA.	TO STA.	CONTRACT NO. 76C52			
	DATE 1-20-12	REVISED -							FED. ROAD DIST. NO. ILLINOIS FED. AID PROJECT			