

PLAN VIEW

GENERAL NOTES

- CONTRACTOR OPTIONS FOR FILL BETWEEN BARRIER WALLS (WHEN NEEDED):
 - PLACE 4" CLASS SI CONCRETE.
 - PLACE 12" OF GRANULAR MATERIAL AT BASE BETWEEN WALLS. GRANULAR MATERIAL SHALL BE INCLUDED IN THE COST OF THE CONCRETE BARRIER OF THE SPECIFIED TYPE.
 - PLACE POROUS GRANULAR EMBANKMENT FROM BASE TO BOTTOM OF 4" CAP. FORMING MATERIAL FOR 4" CAP MAY REMAIN IN PLACE.
- REINFORCING STEEL SHALL EXTEND CONTINUOUS THROUGH CONSTRUCTION JOINTS. AT JOINTS WITH EXISTING BARRIER WALL TO REMAIN, SEE STANDARD 637006 FOR JOINT DETAILS.
- EXPANSION JOINTS SHOWN ON THIS DRAWING SHALL BE PREFORMED JOINT MATERIAL (BITUMINOUS TYPE) FILLER SHALL MEET AASHTO DESIGNATION M-33.
- ALL REINFORCING STEEL SHALL BE GRADE 40 OR GRADE 60 MEETING THE REQUIREMENTS OF AASHTO M31 OR ASTM A615.

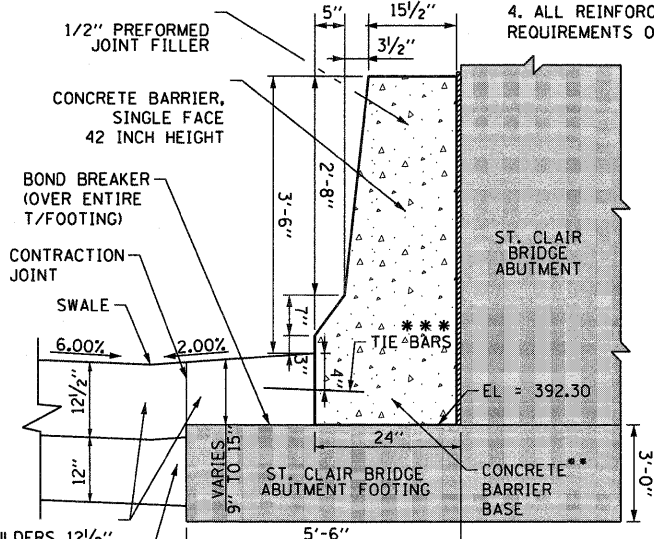
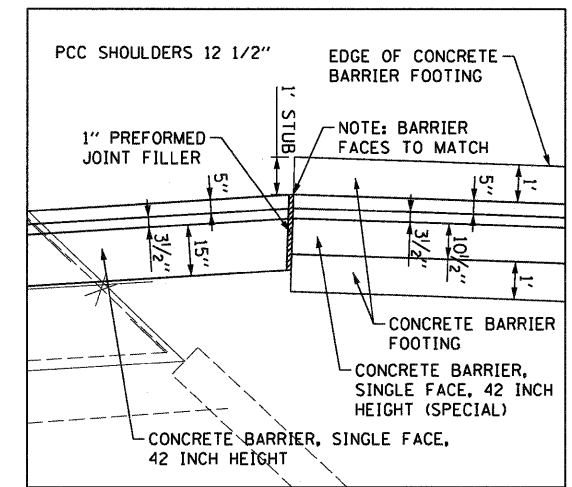
GENERAL NOTES (CONT.)

- ALL WORK DETAILED HEREIN SHALL BE INCLUDED IN THE COST OF THE VARIOUS CONCRETE BARRIER PAY ITEMS.
- PREFORMED JOINT FILLER SHALL BE INCLUDED IN THE COST OF THE CONCRETE BARRIER TRANSITION & CONCRETE BARRIER.
- JOINTS SHALL BE CONSTRUCTED AS SHOWN ON THE PLANS AND IN ACCORDANCE WITH ARTICLE 637.08 OF THE STANDARD SPECIFICATIONS.
- TOP SHOULDER EDGE OF BARRIER BASE SHALL MATCH THE TOP OF SHOULDER ELEVATION.
- BARRIER BASE THICKNESS SHALL MATCH PROPOSED SHOULDER THICKNESS AND MAY BE POURED CONTINUOUSLY WITH THE SHOULDER.

SHOULDER SWALE ELVATIONS AND OFFSETS

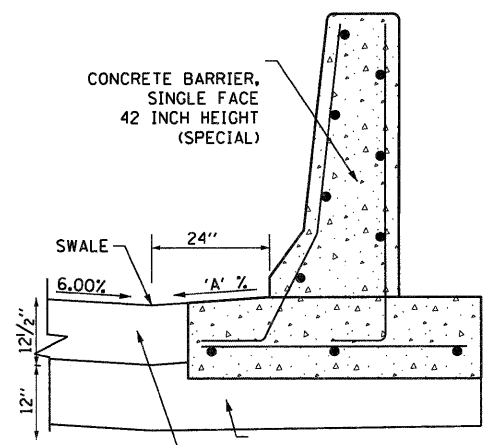
| STATION (55N64E) | EOP ELEV | SHLD SLOPE | SWALE OFFSET | SWALE ELEV | 'A' SLOPE | EOS OFFSET | EOS ELEV | NOTES |
|------------------|----------|------------|--------------|------------|-----------|------------|----------|------------------------|
| 62+00.00 | 395.08 | -6.00% | 6.00 | 394.72 | -6.00% | 10.41 | 394.45 | |
| 62+15.88 | 394.84 | -6.00% | 6.00 | 394.48 | -6.00% | 9.76 | 394.26 | BEGIN SWALE TRANSITION |
| 62+25.00 | 394.72 | -6.00% | 6.00 | 394.36 | -5.24% | 9.38 | 394.18 | |
| 62+50.00 | 394.41 | -6.00% | 6.00 | 394.05 | -3.16% | 8.35 | 393.97 | |
| 62+75.00 | 394.14 | -6.00% | 6.00 | 393.78 | -1.08% | 8.00 | 393.76 | |
| 63+00.00 | 393.92 | -6.00% | 6.00 | 393.56 | 1.01% | 8.09 | 393.58 | |
| 63+11.92 | 393.83 | -6.00% | 6.00 | 393.47 | 2.00% | 8.90 | 393.53 | BEGIN FULL SWALE |
| 63+25.00 | 393.74 | -6.00% | 6.00 | 393.38 | 2.00% | 9.77 | 393.46 | |
| 63+50.00 | 393.62 | -6.00% | 6.00 | 393.26 | 2.00% | 11.02 | 393.36 | |
| 63+75.00 | 393.53 | -6.00% | 6.00 | 393.17 | 2.00% | 11.53 | 393.28 | |
| 63+97.00 | 393.50 | -6.00% | 6.00 | 393.14 | 2.00% | 11.37 | 393.25 | PROPOSED INLET |
| 64+00.00 | 393.50 | -6.00% | 6.00 | 393.14 | 2.00% | 11.30 | 393.24 | |
| 64+07.32 | 393.49 | -6.00% | 6.00 | 393.13 | 2.00% | 11.10 | 393.24 | PROPOSED CATCH BASIN |
| 64+25.00 | 393.51 | -6.00% | 6.00 | 393.15 | 2.00% | 10.34 | 393.23 | |
| 64+50.00 | 393.56 | -6.00% | 6.00 | 393.20 | 2.00% | 8.64 | 393.25 | |
| 64+57.29 | 393.59 | -6.00% | 6.00 | 393.23 | 2.00% | 8.64 | 393.28 | END FULL SWALE |
| 64+75.00 | 393.66 | -6.00% | 6.00 | 393.30 | 0.52% | 8.00 | 393.31 | |
| 65+00.00 | 393.81 | -6.00% | 6.00 | 393.45 | -1.56% | 8.00 | 393.42 | |
| 65+25.00 | 394.00 | -6.00% | 6.00 | 393.64 | -3.64% | 8.00 | 393.57 | |
| 65+50.00 | 394.24 | -6.00% | 6.00 | 393.88 | -5.72% | 8.00 | 393.77 | |
| 65+53.33 | 394.28 | -6.00% | 6.00 | 393.92 | -6.00% | 8.00 | 393.80 | END SWALE TRANSITION |
| 65+75.00 | 394.53 | -6.00% | 6.00 | 394.17 | -6.00% | 8.00 | 394.05 | |

DETAIL 1
CONCRETE BARRIER, SINGLE FACE,
42 INCH HEIGHT TO CONCRETE BARRIER,
SINGLE FACE, 42 INCH HEIGHT (SPECIAL)
SCALE: NONE

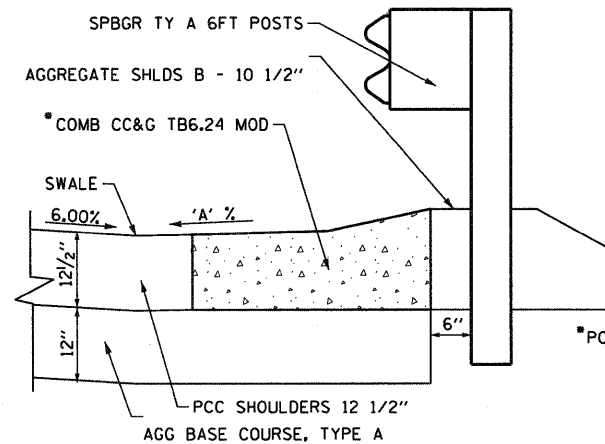


SECTION B-B
CONCRETE BARRIER, SINGLE FACE
42 INCH HEIGHT
STA 63+11.92 TO STA 64+58.92

- * PCC SHOULDERS 12 1/2" SHALL BE POURED OVER ABUTMENT FOOTING SEPARATED BY A BOND BREAKER FOR AREAS IN CONFLICT.
- ** BARRIER BASE TO BE POURED MONOLITHICALLY WITH THE CONCRETE BARRIER, SINGLE FACE, 42 IN
- *** HORIZONTAL TIE BARS SHALL BE NO. 6 EPOXY COATED, 24" LONG, 24" C-C AND SHALL BE INCLUDED IN THE COST OF THE BARRIER BASE.



SECTION C-C
CONCRETE BARRIER, SINGLE FACE,
42 INCH HEIGHT (SPECIAL)
(SEE DIMENSIONS ON SHEET 499)



SECTION A-A
SPBGR OVER COMB CC&G TB6.24 MOD
SCALE: NONE

- STA 58+73.85 TO STA 63+11.92
- * COMB CC&G TB6.24 MOD TO MATCH 'A' % FROM STA 62+15.88 TO 63+11.92. (FOR DIMENSIONS SEE SHEET 498 OF 629.)