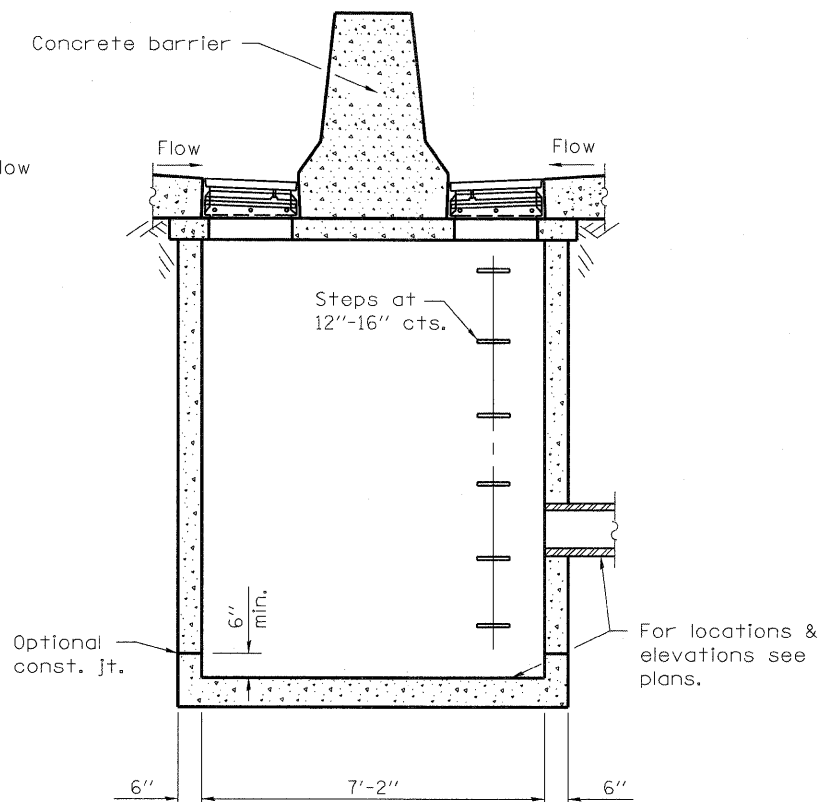
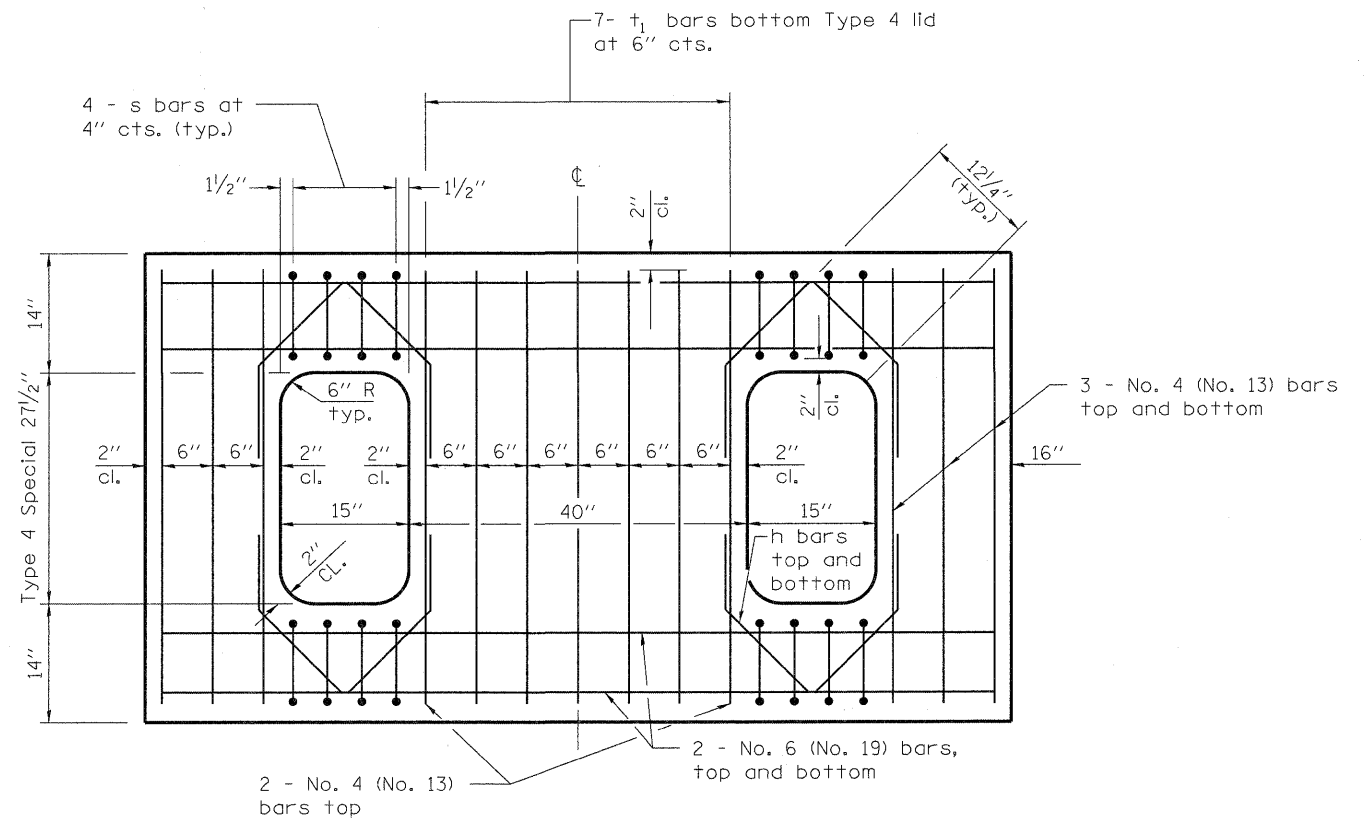


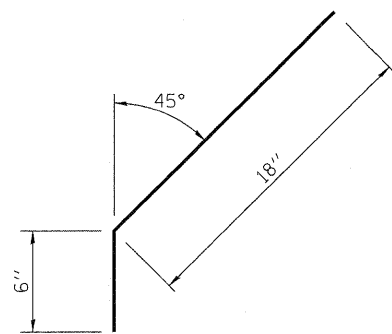
FRONT ELEVATION - TYPE 4



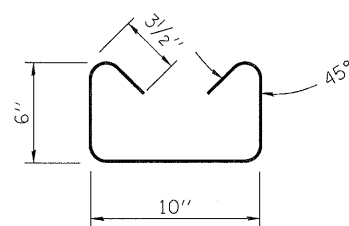
SIDE ELEVATION - TYPE 4 & 5



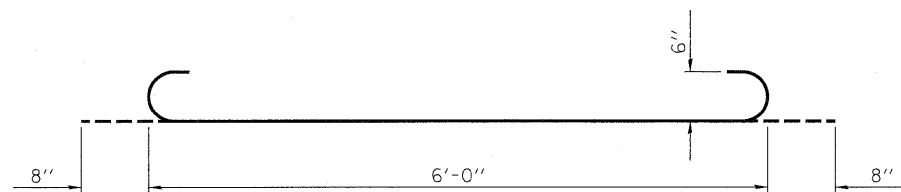
REINFORCED LID - TYPE 4



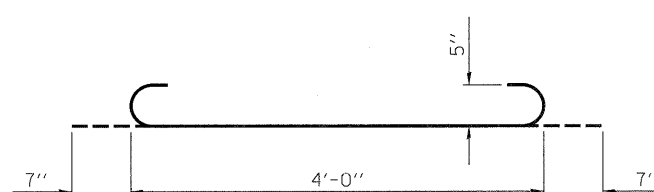
No. 4 (No. 13) Bar h



No. 3 (No. 10) Bar s



No. 6 (No. 19) Bar t



No. 5 (No. 16) Bar t1

GENERAL NOTES

These structures are for use with concrete barrier, double face, 42" height (Standard 637006).

See Standard 602701 for details of steps.

Exposed edges shall be beveled 3/4".

All dimensions are in inches unless otherwise shown.

FILE NAME = DBTRI-76C52-sht-drain-details-83-drainage-structure_type4.dgn	USER NAME = sear-sb	DESIGNED N/A	REVISED -	STATE OF ILLINOIS DEPARTMENT OF TRANSPORTATION	DRAINAGE DETAILS - DRAINAGE STRUCTURE TYPE 4, SPECIAL	F.A.I. RTE.	SECTION	COUNTY	TOTAL SHEETS	SHEET NO.
PLOT SCALE = 1/8" = 1'-0"	DRAWN CJS	CHECKED MAN	REVISED -			82-1-RIA, 82-1-RIB)	ST. CLAIR	629	526	
PLOT DATE = 1/24/2012	DATE 1-20-12	REVISED -	REVISED -			64/998/70	CONTRACT NO. 76C52			
						FED. ROAD DIST. NO.	ILLINOIS FED. AID PROJECT			