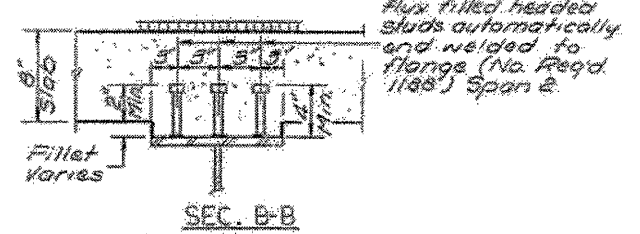
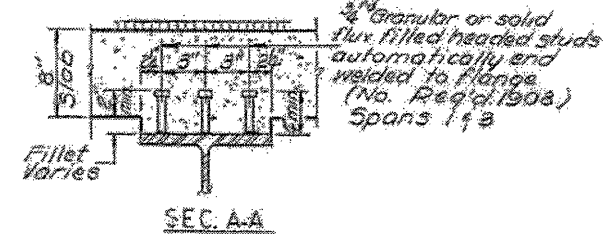
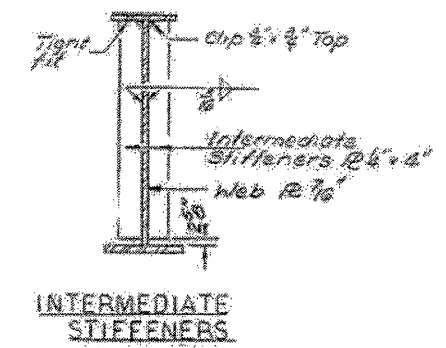
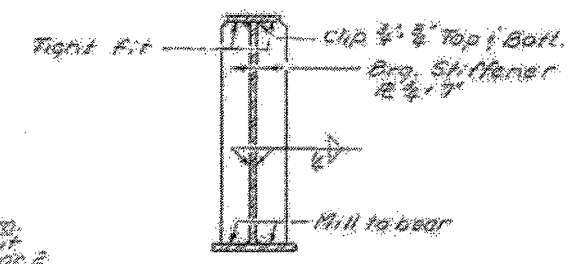
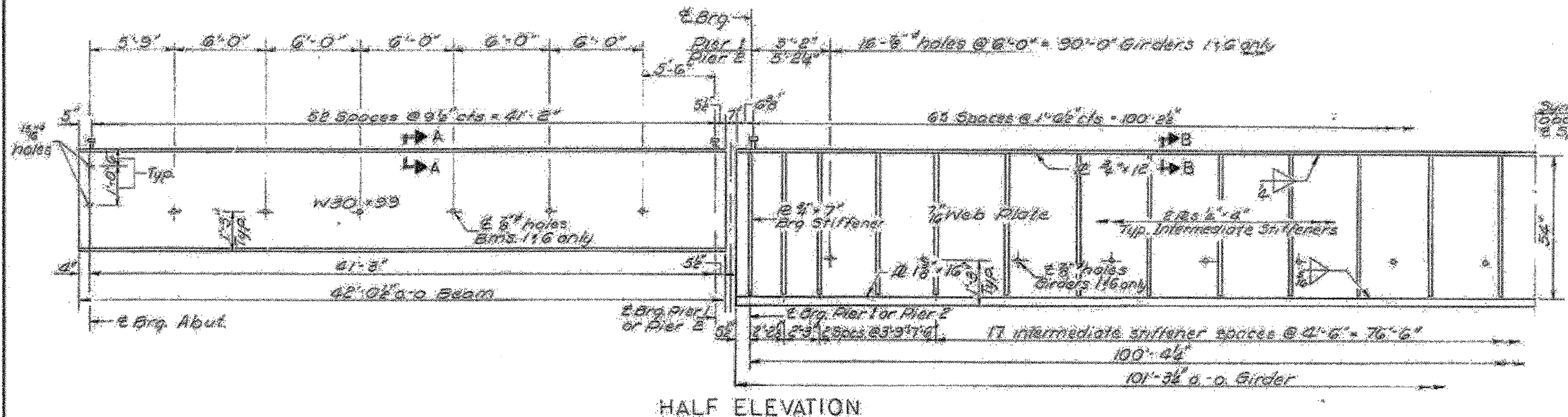
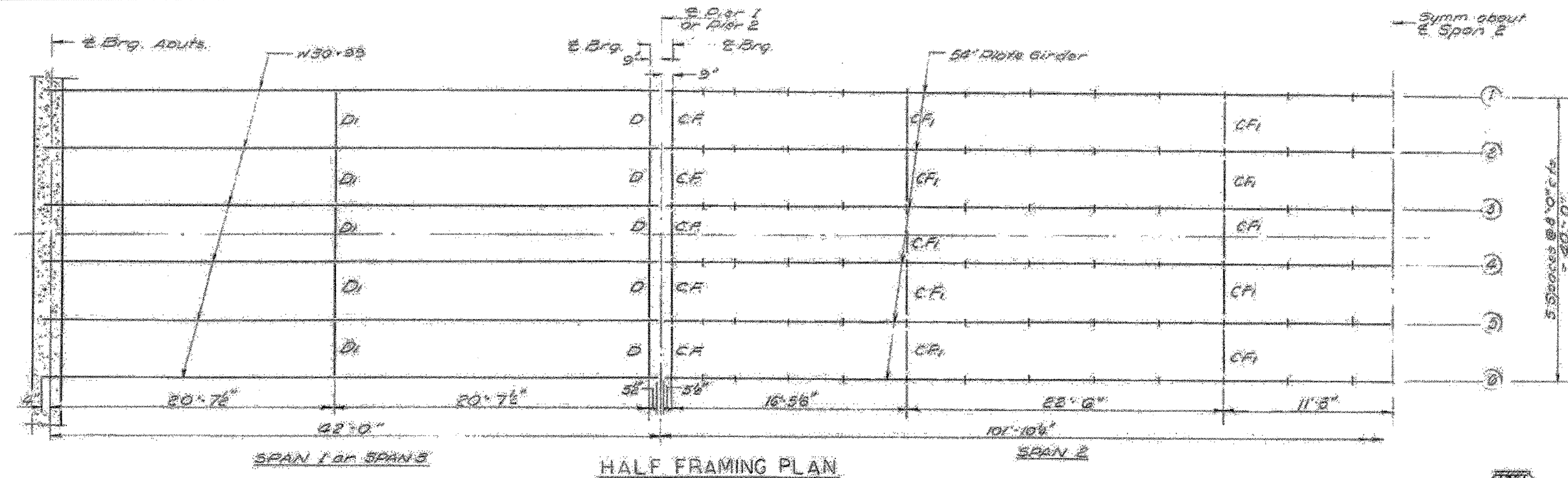


FOR INFORMATION ONLY

STATE OF ILLINOIS  
DEPARTMENT OF TRANSPORTATION

APPROVAL	PROJECT	COUNTY	SHEET NO.	TOTAL SHEETS
110	1108-1	RANDOLPH	6	12
SHEET NO. 6				



DESIGNED *A. J. Chappin*  
 CHECKED *G. E. Ozyurt*  
 DRAWN *F. Marcado*  
 CHECKED *G. E. O.*

EXAMINED *[Signature]*  
 PASSED *[Signature]*  
 APPROVED *[Signature]*  
 DIRECTOR OF HIGHWAYS

STRUCTURAL STEEL  
 F.A.R.T. 14 SEC. 110BC-2  
 RANDOLPH COUNTY  
 STA. 932+0000

DESIGNED - J. Uehle	EXAMINED - [Signature]	DATE - Apr 27, 2012	STATE OF ILLINOIS DEPARTMENT OF TRANSPORTATION	FOR INFORMATION ONLY - FRAMING SN 079-0007	SHEET NO. 6 OF 8 SHEETS										
CHECKED - B. Williams	ENGINEER OF STRUCTURAL SERVICES	REVISED													
DRAWN - J. Uehle	PASSED - [Signature]	REVISED	<table border="1"> <tr> <td>F.A.P. RTE. 861</td> <td>SECTION 1108R-1</td> <td>COUNTY RANDOLPH</td> <td>TOTAL SHEETS 14</td> <td>SHEET NO. 12</td> </tr> <tr> <td colspan="5">CONTRACT NO. 76F07</td> </tr> </table>			F.A.P. RTE. 861	SECTION 1108R-1	COUNTY RANDOLPH	TOTAL SHEETS 14	SHEET NO. 12	CONTRACT NO. 76F07				
F.A.P. RTE. 861	SECTION 1108R-1	COUNTY RANDOLPH	TOTAL SHEETS 14	SHEET NO. 12											
CONTRACT NO. 76F07															
CHECKED - B. Williams	ENGINEER OF BRIDGES AND STRUCTURES	REVISED	ILLINOIS FED. AID PROJECT												