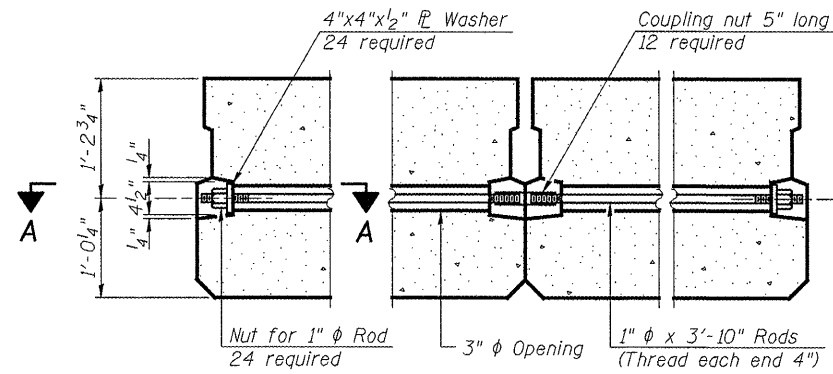
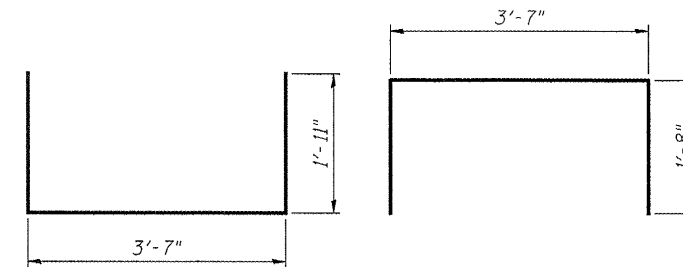


SECTION A-A

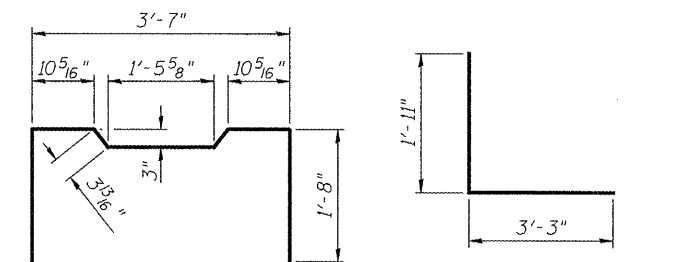


TYPICAL TRANSVERSE TIE ASSEMBLY



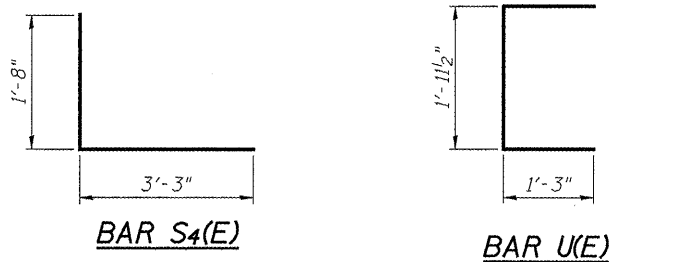
BAR S(E)

BAR S1(E)



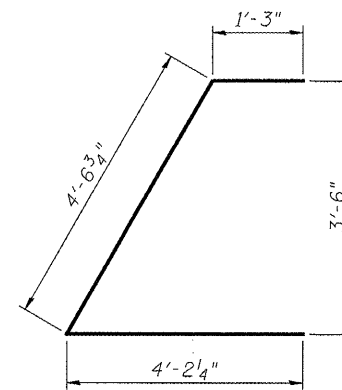
BAR S2(E)

BAR S3(E)

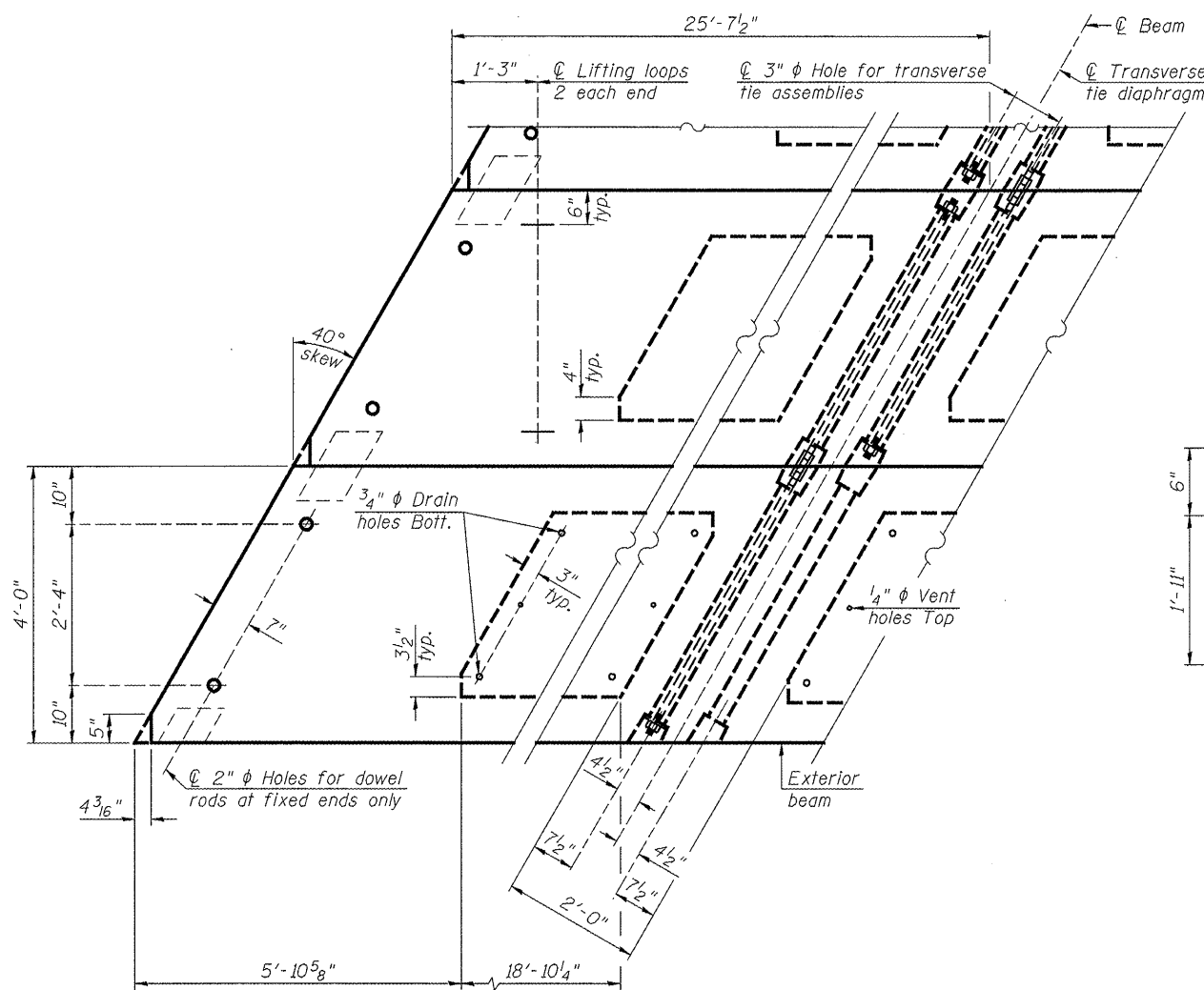


BAR S4(E)

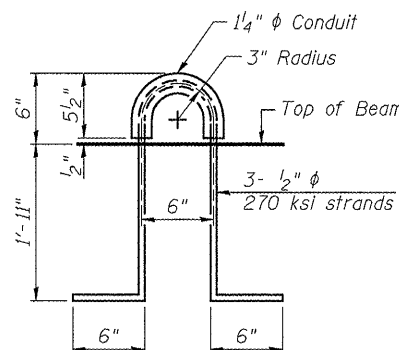
BAR U(E)



BAR U1(E)



PLAN VIEW



LIFTING LOOP DETAIL

BILL OF MATERIAL

Item	Unit	Quantity
Precast Prestressed Concrete Deck Beams (27" Depth)	Sq. Ft.	2,870

NOTES:

- See Structural Sheet 10 of 18 for Fabric Bearing Pad Details.
- Prestressing steel shall be uncoated high strength, low relaxation 7-wire strand, Grade 270. The nominal diameter shall be 1/2 inch and the nominal cross-sectional area shall be 0.153 sq. in.
- The 1 inch diameter rods in the transverse tie assembly shall be tightened to a snug fit and the threads set. Pockets on exterior faces of bridge shall be filled with grout after transverse tie assembly is in place.
- Reinforcement bars shall conform to ASTM A 706, Grade 60. (See Special Provisions).
- A minimum 1/2 inch diameter lifting pin shall be used to engage the lifting loops during handling.
- Corrosion Inhibitor, per Article 1020.05(b)(12) and 1021.06 of the Standard Specifications, shall be used in the concrete for precast prestressed concrete deck beams.
- Compressive strength of prestressed concrete, f'c, shall be 6,000 psi.
- Compressive strength of prestressed concrete at release, f'ci, shall be 5,000 psi.

NOTE:
Connect beams in pairs with the transverse tie configuration shown.
Unused transverse tie hole on exterior beams can be omitted.



DESIGNED - BRADLEY KLEINMAIER	REVISED -
CHECKED - BRIAN CONVERSE	REVISED -
DRAWN - RON ALLEN	REVISED -
CHECKED - MEGAN CACKLEY	REVISED -

LEE COUNTY
C.H. 12 (KEIGWIN ROAD) OVER GREEN RIVER
STATION 20+00

27" x 48" PPC DECK BEAM DETAILS
STRUCTURE NO. 052-3416

STRUCTURAL SHEET NO. 7 OF 18 SHEETS

F.A.S. RTE.	SECTION	COUNTY	TOTAL SHEETS	SHEET NO.
1180	11-00318-00-BR	LEE	29	14
WHA* 1224D11			CONTRACT NO. 85557	
ILLINOIS FED. AID PROJECT BRS-1180(003)				

FILE: S:\PROJECTS\2011\224011.Lee.Co.DESIGN\STRUCTURE\Drawings\224011.27" x 48" Deck Beam Details.dwg