

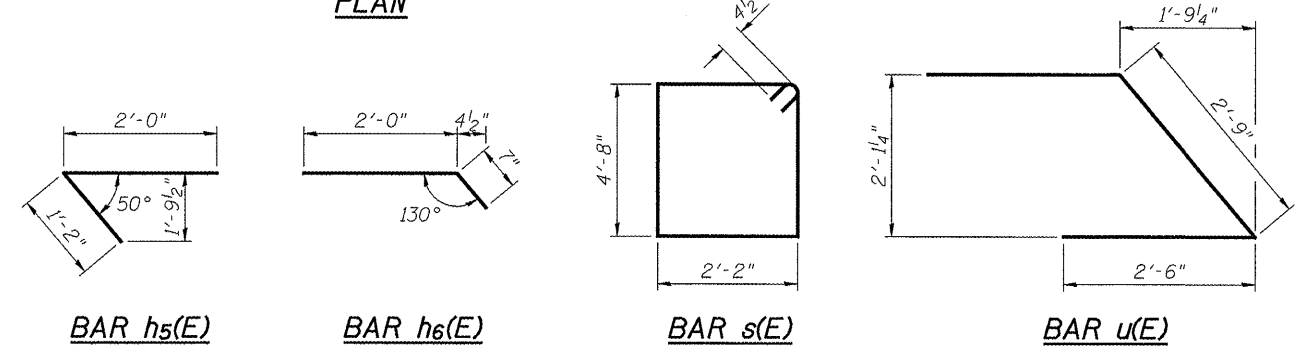
SECTION A-A
(Dimensions are at Rt. L's)

BILL OF MATERIAL

Bar	No.	Size	Length	Shape
h(E)	3	#5	38'-8"	—
h1(E)	16	#7	15'-11"	—
h2(E)	8	#5	14'-0"	—
h3(E)	16	#7	15'-1"	—
h4(E)	8	#5	13'-2"	—
h5(E)	3	#5	3'-2"	∇
h6(E)	3	#5	2'-7"	∇
p(E)	12	#7	38'-8"	—
s(E)	39	#4	14'-5"	□
u(E)	12	#6	7'-9"	∩
v(E)	44	#5	4'-4"	—
v1(E)	42	#5	6'-5"	—
Structure Excavation		Cu. Yd.	104	
Concrete Structures		Cu. Yd.	26.1	
Reinforcement Bars, Epoxy Coated		Pound	3,330	
Furnishing Metal Shell Piles 14" x 0.250"		Foot	140	
Driving Piles		Foot	140	
Test Pile Metal Shells		Each	1	
** Porous Granular Embankment, Special		Ton	155	

PILE DATA
 Type: Metal Shell 14" ϕ x 0.250" walls
 Nominal Required Bearing: 244 kips
 Factored Resistance Available: 134 kips
 Est. Length: 28'
 No. Production Piles: 5
 No. Test Piles: 1

SIZE	LAP
#4	2'-7"
#5	3'-3"
#6	3'-10"
#7	5'-2"



NOTES:

Hatched portion of wingwalls to be poured with the backwall after the deck beams have been installed and grout has cured for a minimum of 24 hours.
 All exposed edges shall have standard $\frac{3}{4}$ " chamfers, except as noted.
 Space reinforcement in cap to miss dowel rods.
 After beams have been erected, holes shall be drilled into substructure and anchor dowels placed. Dowel holes shall be filled with non-shrink grout to top of beam and allowed to cure a min. of 24 hours prior to grouting the shear keys.
 For pile details, see Structural Sheet 16 of 18.
 * May vary due to overrun of beams.
 ** For drainage details, see Structural Sheet 2 of 18.

FILE = S:\PROJECTS\2811\224011.Lee.Co.DESIGN\STRUCTURE\DWG\1224011.W.Abut.dgn



DESIGNED - BRADLEY KLEINMAIER	REVISED -
CHECKED - BRIAN CONVERSE	REVISED -
DRAWN - RON ALLEN	REVISED -
CHECKED - MEGAN CACKLEY	REVISED -

LEE COUNTY
C.H. 12 (KEIGWIN ROAD) OVER GREEN RIVER
STATION 20 + 00

WEST ABUTMENT DETAILS
STRUCTURE NO. 052-3416
 STRUCTURAL SHEET NO. 11 OF 18 SHEETS

F.A.S. RTE.	SECTION	COUNTY	TOTAL SHEETS	SHEET NO.
1180	11-00318-00-BR	LEE	29	18
WHA# 1224011			CONTRACT NO. 85557	
ILLINOIS FED. AID PROJECT BRS-1180(003)				