

SECTION A-A

(Dimensions are at Rt. L's)

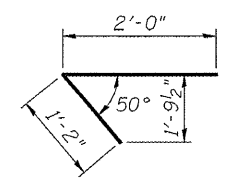
BILL OF MATERIAL

Bar	No.	Size	Length	Shape
h(E)	3	#5	38'-8"	—
h ₁ (E)	16	#7	15'-11"	—
h ₂ (E)	8	#5	14'-0"	—
h ₃ (E)	16	#7	15'-1"	—
h ₄ (E)	8	#5	13'-2"	—
h ₅ (E)	3	#5	3'-2"	∇
h ₆ (E)	3	#5	2'-7"	∇
p(E)	12	#7	38'-8"	—
s(E)	39	#4	14'-5"	□
u(E)	12	#6	7'-9"	∩
v(E)	44	#5	4'-4"	—
v ₁ (E)	42	#5	6'-5"	—
Structure Excavation		Cu. Yd.	102	
Concrete Structures		Cu. Yd.	26.1	
Reinforcement Bars, Epoxy Coated		Pound	3,330	
Furnishing Metal Shell Piles 14" x 0.250"		Foot	175	
Driving Piles		Foot	175	
Test Pile Metal Shells		Each	1	
** Porous Granular Embankment, Special		Ton	155	

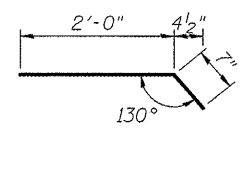
PILE DATA

Type: Metal Shell 14" ϕ x 0.250" walls
 Nominal Required Bearing: 244 kips
 Factored Resistance Available: 134 kips
 Est. Length: 35'
 No. Production Piles: 5
 No. Test Piles: 1
 Drive piles to a minimum elevation of 623.00

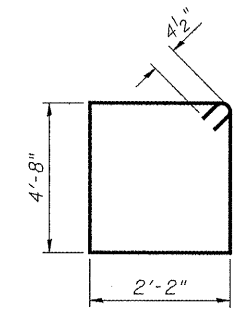
MIN. LAP	SIZE	LAP
	#4	2'-7"
	#5	3'-3"
	#6	3'-10"
	#7	5'-2"



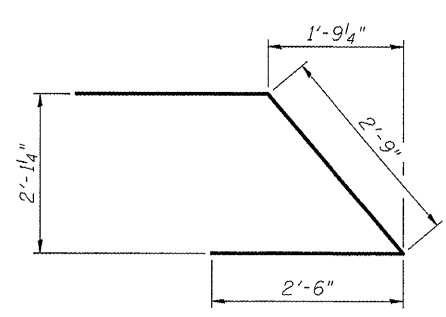
BAR h₅(E)



BAR h₆(E)



BAR s(E)



BAR u(E)

NOTES:

- Hatched portion of wingwalls to be poured with the backwall after the deck beams have been installed and grout has cured for a minimum of 24 hours.
- All exposed edges shall have standard 3/4" chamfers, except as noted.
- Space reinforcement in cap to miss dowel rods.
- After beams have been erected, holes shall be drilled into substructure and anchor dowels placed. Dowel holes shall be filled with non-shrink grout to top of beam and allowed to cure a min. of 24 hours prior to grouting the shear keys.
- For pile details, see Structural Sheet 16 of 18.
- * May vary due to overrun of beams.
- ** For drainage details, see Structural Sheet 2 of 18.



DESIGNED	BRADLEY KLEINMAIER	REVISED	
CHECKED	BRIAN CONVERSE	REVISED	
DRAWN	RON ALLEN	REVISED	
CHECKED	MEGAN CACKLEY	REVISED	

LEE COUNTY
 C.H. 12 (KEIGWIN ROAD) OVER GREEN RIVER
 STATION 20+00

EAST ABUTMENT DETAILS
 STRUCTURE NO. 052-3416
 STRUCTURAL SHEET NO. 12 OF 18 SHEETS

F.A.S. RTE.	SECTION	COUNTY	TOTAL SHEETS	SHEET NO.
1180	11-00318-00-BR	LEE	29	19
WHA# 1224D11			CONTRACT NO. 85557	
ILLINOIS FED. AID PROJECT BRS-1180(003)				

FILE: S:\PROJECTS\2011\224D11.Lee.Co\DESIGN\STRUCT\Drawings\1224D11_E.abut.dgn