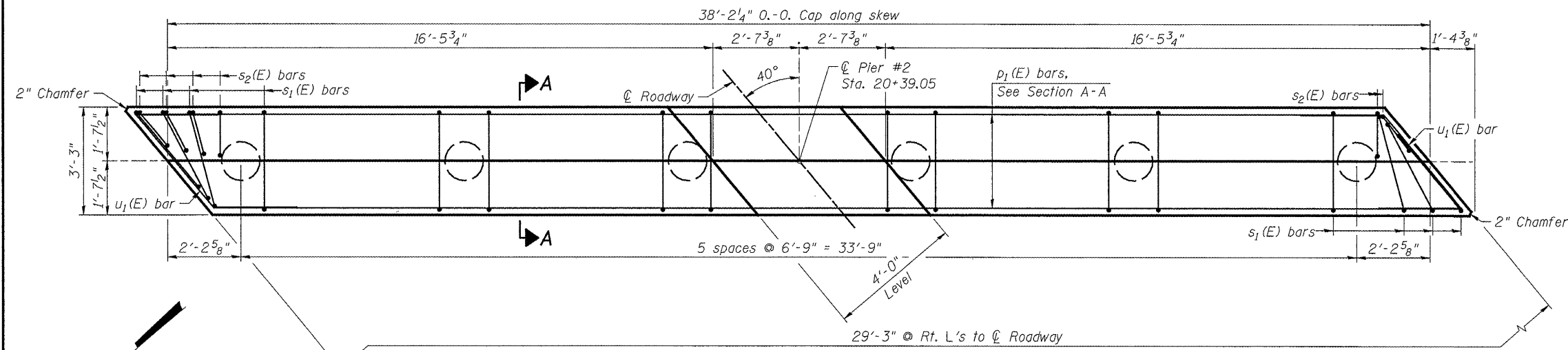
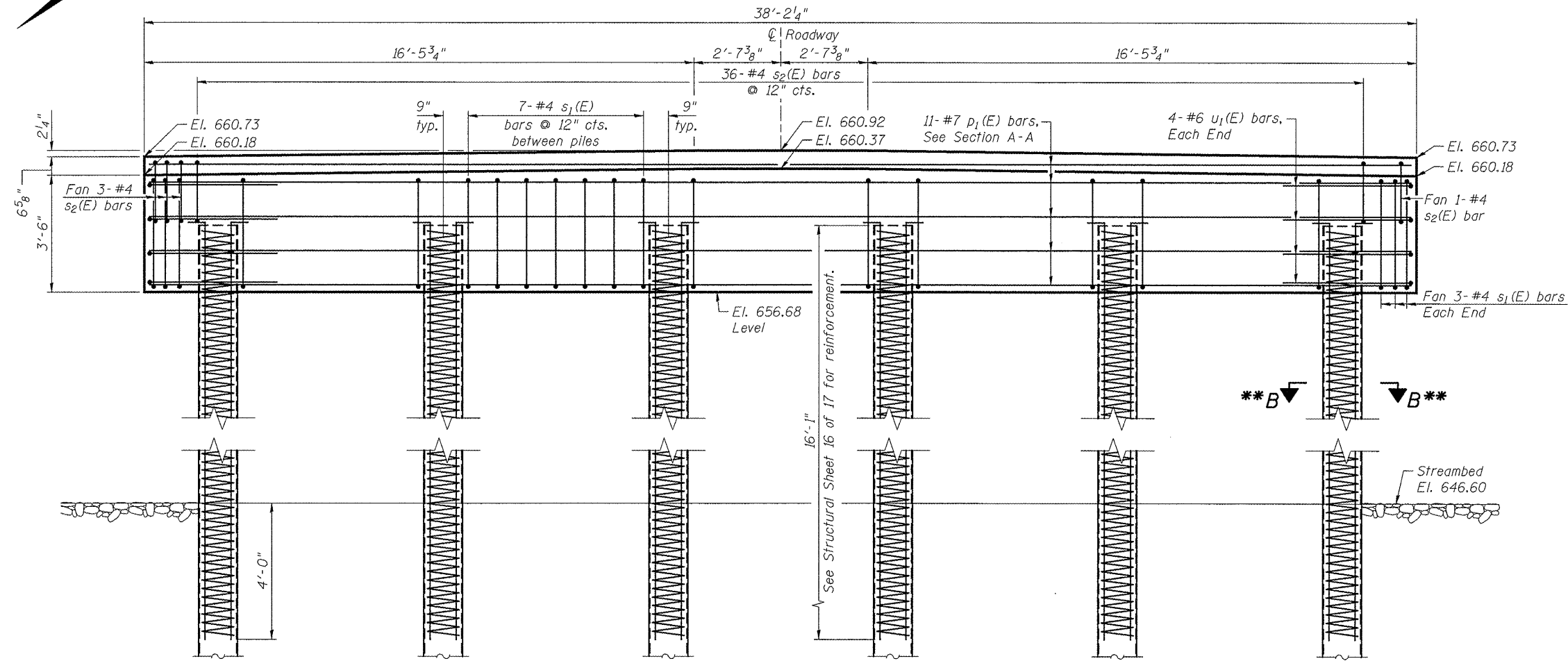


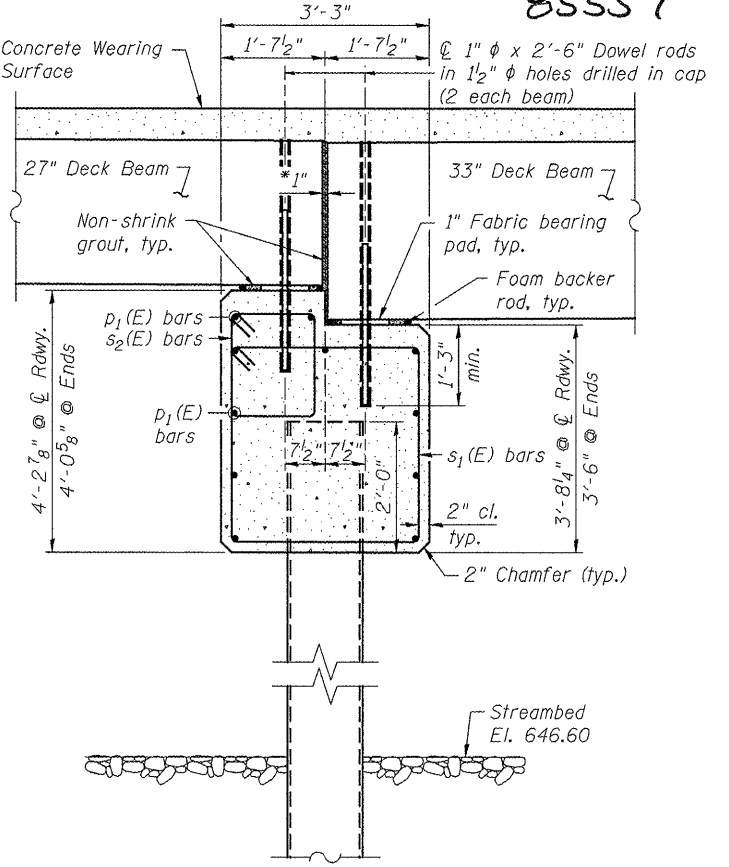
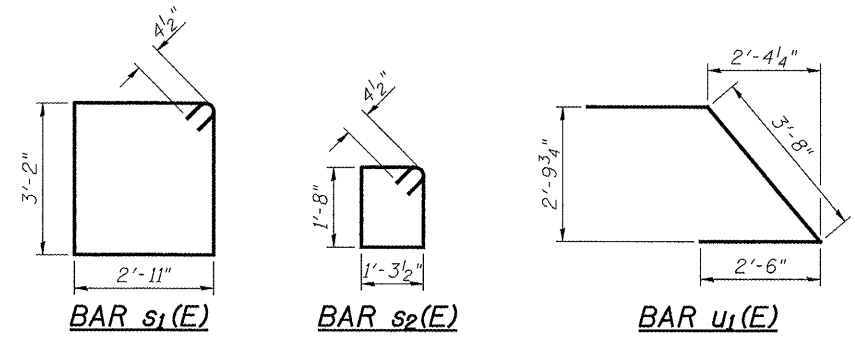
85557



PLAN



ELEVATION (Looking East)



SECTION A-A

(Dimensions are at Rt. L's)

BILL OF MATERIAL

Bar	No.	Size	Length	Shape
p ₁ (E)	11	#7	37'-9"	—
s ₁ (E)	41	#4	12'-11"	□
s ₂ (E)	40	#4	6'-8"	□
u ₁ (E)	8	#6	8'-8"	∟
Concrete Structures		Cu. Yd.	17.4	
Reinforcement Bars, Epoxy Coated		Pound	1,490	
Furnishing Metal Shell Piles 14" x 0.312"		Foot	240	
Driving Piles		Foot	240	
Test Pile Metal Shells		Each	1	

NOTES:

All exposed edges shall have standard 3/4" chamfers, except as noted.
 Space reinforcement in cap to miss dowel rods.
 After beams have been erected, holes shall be drilled into substructure and anchor dowels placed. Dowel holes shall be filled with non-shrink grout to top of beam and allowed to cure a min. of 24 hours prior to grouting the shear keys.
 * May vary due to overrun of beams.
 ** For pile & pile reinforcement details, see Structural Sheet 16 of 18.

PILE DATA

Type: Metal Shell 14" φ x 0.312" Walls
 Nominal Required Bearing: 237 kips
 Factored Resistance Available: 431 kips
 Est. Length: 48'
 No. Production Piles: 5
 No. Test Piles: 1



DESIGNED - BRADLEY KLEINMAIER	REVISED -
CHECKED - BRIAN CONVERSE	REVISED -
DRAWN - RON ALLEN	REVISED -
CHECKED - MEGAN CACKLEY	REVISED -

LEE COUNTY
 C.H. 12 (KEIGWIN ROAD) OVER GREEN RIVER
 STATION 20+00

PIER #2 DETAILS
 STRUCTURE NO. 052-3416
 STRUCTURAL SHEET NO. 14 OF 18 SHEETS

F.A.S. RTE.	SECTION	COUNTY	TOTAL SHEETS	SHEET NO.
1180	11-00318-00-BR	LEE	29	21
WHA* 1224D11		CONTRACT NO. 85557		
ILLINOIS FED. AID PROJECT BRS-1180(003)				

FILE: S:\PROJECTS\2011\224D11.Lee.Co.DESIGN\STRUCT\Drawings\1224D11_Pier_2.dgn