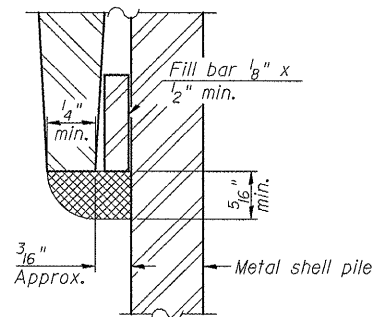
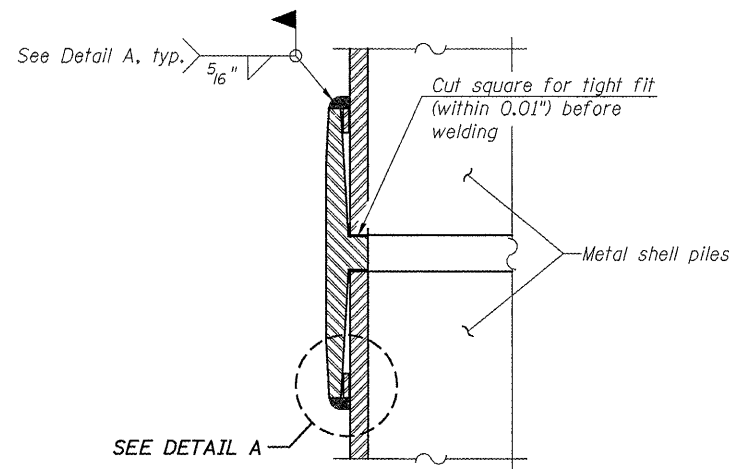




METAL SHELL PILE TABLE

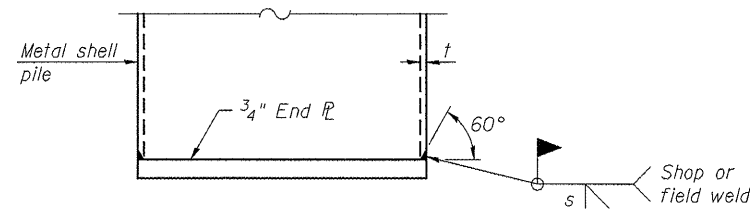
Designation and outside diameter	Wall thickness t	Weight per foot (Lbs./ft.)	Inside volume (yd. ³ /ft.)
PP12	0.179"	22.60	0.0274
PP12	0.250"	31.37	0.0267
PP14	0.250"	36.71	0.0368
PP14	0.312"	45.61	0.0361



DETAIL A

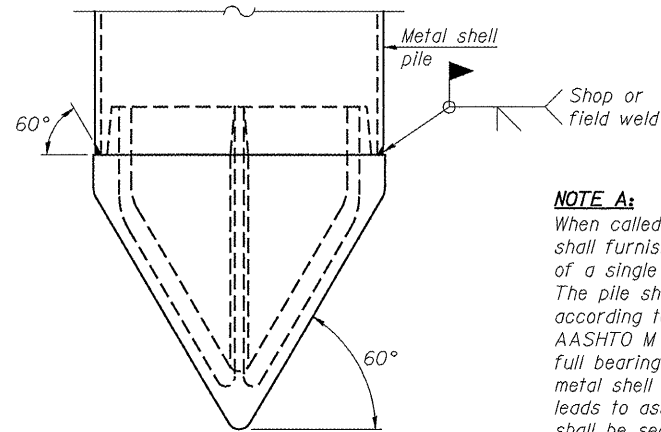
NOTES:
 The 1/8"x1/2" min. fill bar may be constructed of 2 bars with a 1/8" max. gap between them.
 Pile segments shall be driven to solid contact with splicer before welding.

WELDED COMMERCIAL SPLICE



END LAP ATTACHMENT

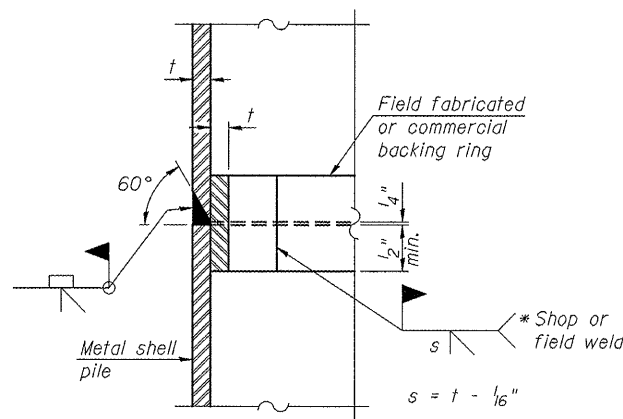
$s = t - 1/16"$



NOTE A:
 When called for on the plans, the Contractor shall furnish metal shell pile shoes consisting of a single piece conical pile point as shown. The pile shoes shall be cast in one piece steel according to either ASTM A 148 Grade 90-60 or AASHTO M 103 Grade 65-35 and shall provide full bearing over the full circumference of the metal shell pile. The pile shoe shall have tapered leads to assure proper alignment and fitting and shall be secured to the pile with a circumferential weld.

METAL SHELL PILE SHOE ATTACHMENT

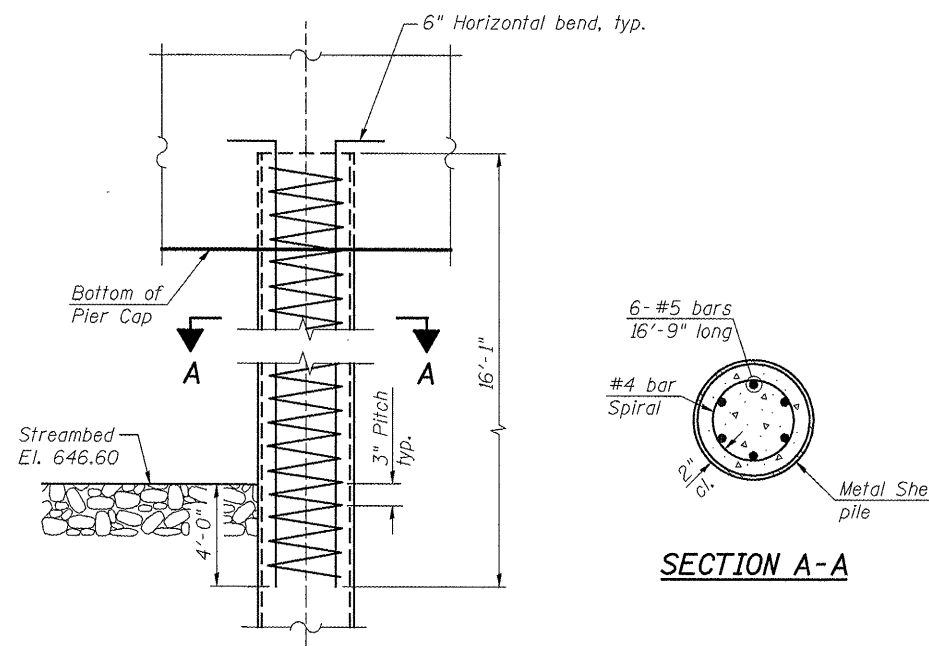
(See Note A)



COMPLETE PENETRATION WELD SPLICE

*Field fabricated backing ring may be made from pile shell by removing segment to allow reducing circumference and vertically rejoin with partial joint penetration weld.

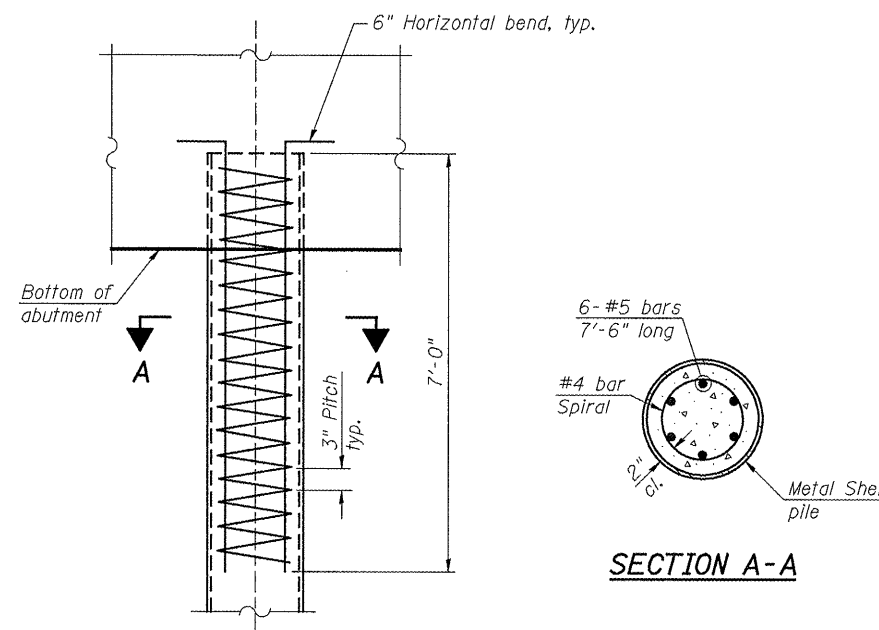
NOTE:
 The metal shell piles shall be according to ASTM A 252 Grade 3.



ELEVATION

SECTION A-A

METAL SHELL REINFORCEMENT AT PIERS



ELEVATION

SECTION A-A

METAL SHELL REINFORCEMENT AT ABUTMENTS



DESIGNED - BRADLEY KLEINMAIER	REVISED -
CHECKED - BRIAN CONVERSE	REVISED -
DRAWN - RON ALLEN	REVISED -
CHECKED - MEGAN CACKLEY	REVISED -

LEE COUNTY
C.H. 12 (KEIGWIN ROAD) OVER GREEN RIVER
STATION 20 + 00

METAL SHELL PILE DETAILS
STRUCTURE NO. 052-3416

STRUCTURAL SHEET NO. 16 OF 18 SHEETS

F.A.S. RTE.	SECTION	COUNTY	TOTAL SHEETS	SHEET NO.
1180	11-00318-00-BR	LEE	29	23
WHA* 1224D11			CONTRACT NO. 85557	
ILLINOIS FED. AID PROJECT BRS-1180(003)				

FILE - S:\PROJECTS\2011\224011.Lee.Co.DESIGN\STRUCT\0-awing\1224011.Metal.Shell.Piles.dgn