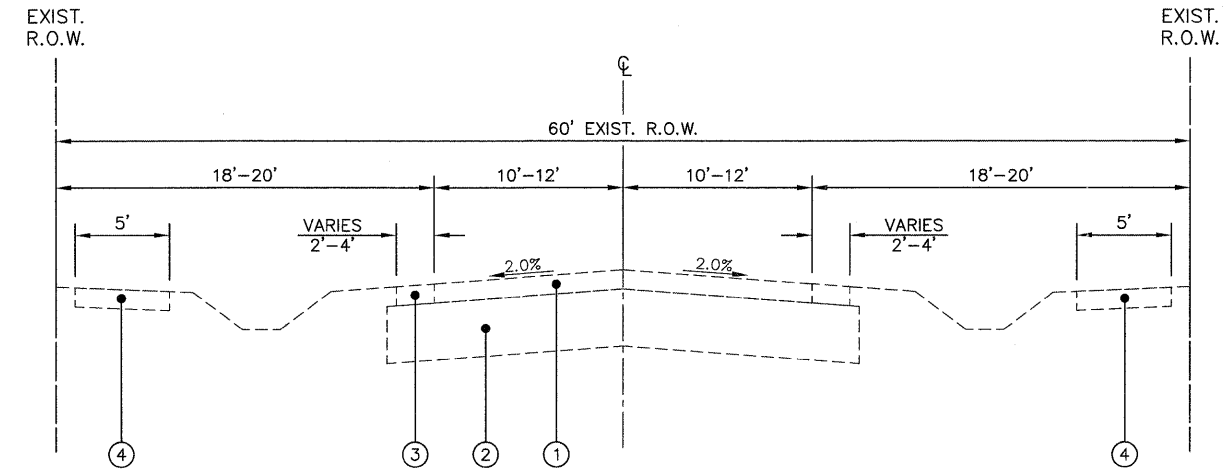
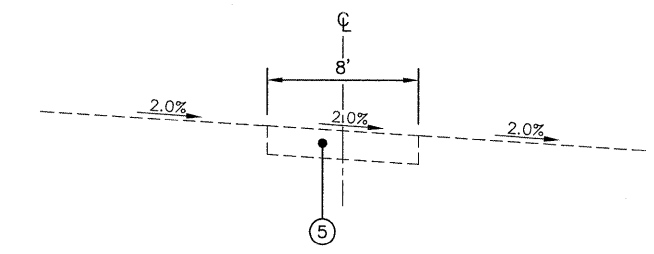


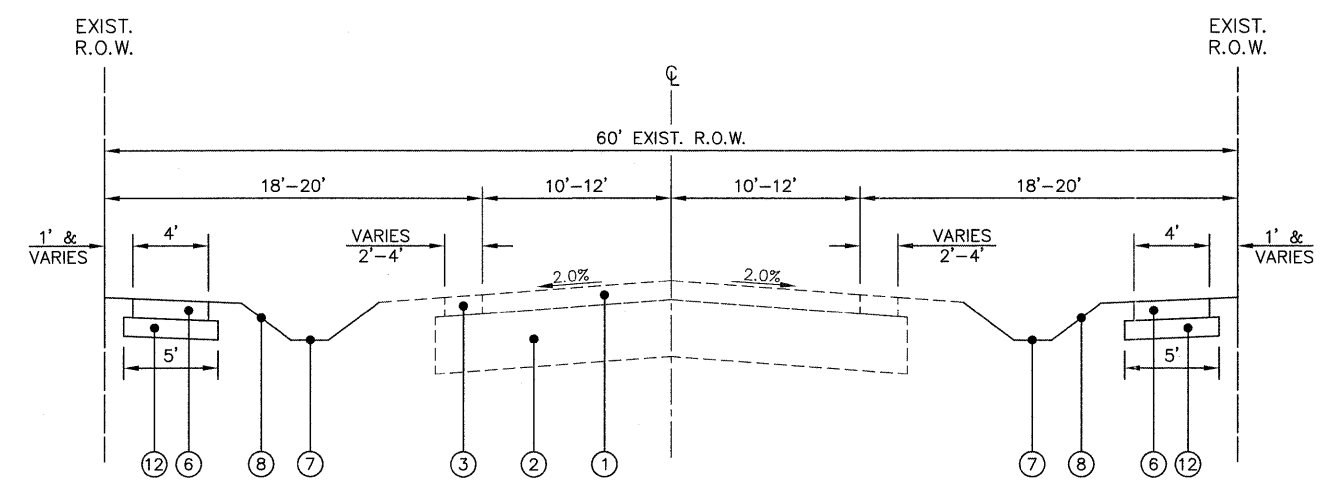
F.A.U. RTE.	SECTION	COUNTY	TOTAL SHEETS	SHEET NO.
N/A	10-00010-00-SW	DEKALB	11	4
CONTRACT NO. 87457				



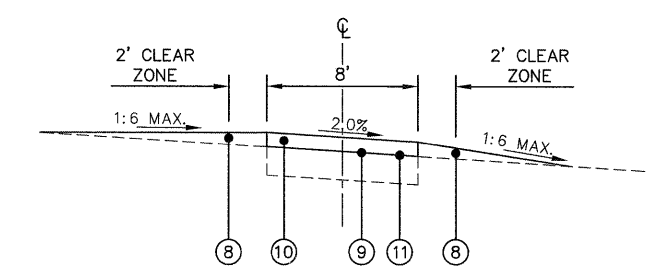
EXISTING TYPICAL CROSS-SECTION
 FROM STA 100+00 TO STA 139+60, MILLER AVENUE
 FROM STA 200+00 TO STA 209+00, VIEW STREET
 FROM STA 300+80 TO STA 303+30, COSTER PLACE
 N.T.S.



EXISTING TYPICAL CROSS-SECTION
 BIKE PATH
 FROM STA 400+20 TO STA 410+30
 N.T.S.



PROPOSED TYPICAL CROSS-SECTION
 FROM STA 100+00 TO STA 139+60, MILLER AVENUE
 FROM STA 200+00 TO STA 209+00, VIEW STREET
 FROM STA 300+80 TO STA 303+30, COSTER PLACE
 N.T.S.



PROPOSED TYPICAL CROSS-SECTION
 BIKE PATH
 FROM STA 400+20 TO STA 410+30
 N.T.S.

LEGEND	
① EXISTING 4" ASPHALT PAVEMENT	⑧ CLASS 1 SEEDING, FERTILIZER AND EROSION CONTROL BLANKET
② EXISTING 12" AGGREGATE BASE COURSE	⑨ PREPARATION OF BASE
③ EXISTING AGGREGATE SHOULDER	⑩ HOT-MIX ASPHALT SURFACE COURSE, MIX "C", N30, 2"
④ EARTH EXCAVATION *	⑪ BITUMINOUS MATERIALS (PRIME COAT)
⑤ EXISTING 6" AGGREGATE BIKE PATH	⑫ AGGREGATE BASE COURSE, TYPE B, 4" *
⑥ PCC SIDEWALK 5 INCH *	
⑦ GRADING AND SHAPING DITCHES	

* SIDEWALK ON LEFT ON COSTER PLACE ONLY

Hot-Mix Asphalt Mixtures Requirement Table

	HMA Driveway (3") and Bike Path (2")	Class D Patches, 4"	Hot-Mix Replacement Over Patches (2")
PG Grade	PG58-22	PG58-22	PG58-22
Design Air Voids	3.0%@N30	4.0%@N50	4.0%@N50
Mixture Composition	IL-9.5	IL-19.0	IL-9.5
Friction Aggregate	Mixture C	Mixture C	Mixture C
Density Test Method	Growth Curve	Growth Curve	Growth Curve

Plotted: February 9, 2012 @ 3:28 PM By: Kris Fung - Tab: 04 Section - 22x34

Engineering Enterprises, Inc.
 CONSULTING ENGINEERS
 52 Wheeler Road
 Sugar Grove, Illinois 60554
 630.466.6700 / www.eeiweb.com

VILLAGE OF HINCKLEY
 DEKALB COUNTY, ILLINOIS

NO.	DATE	REVISIONS
1	2/1/12	REVISED PER IDOT COMMENTS FROM 12/14/11

SAFE ROUTES TO SCHOOL IMPROVEMENTS

TYPICAL SECTIONS

DATE:	NOVEMBER 2011
PROJECT NO:	H10804
FILE:	H10804-CVR
SHEET	4 OF 11

Path:H:\BDRGPROJ\H10804\DWG\DWG_FINAL_ENG\H10804-CVR