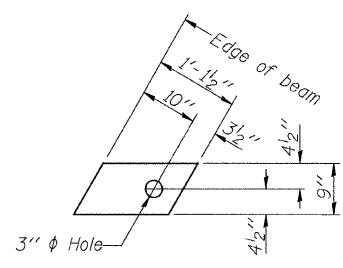
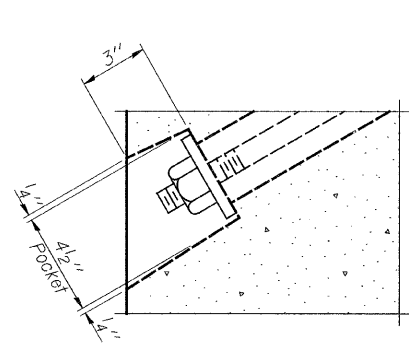


FABRIC BEARING PAD
(Interior)

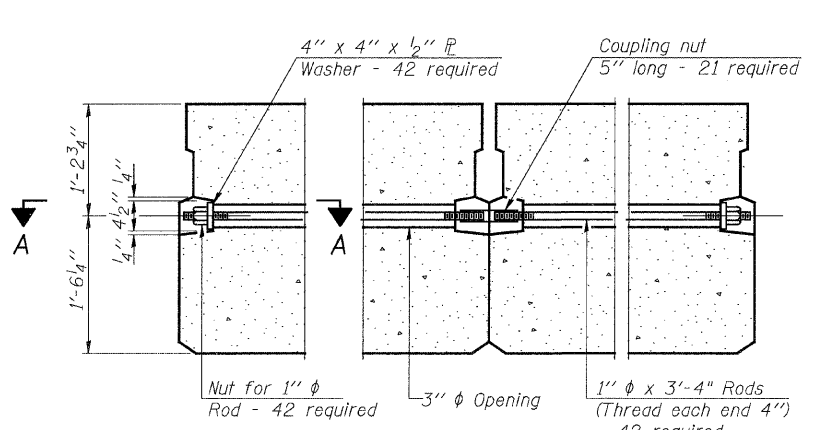


FABRIC BEARING PAD
(Exterior)

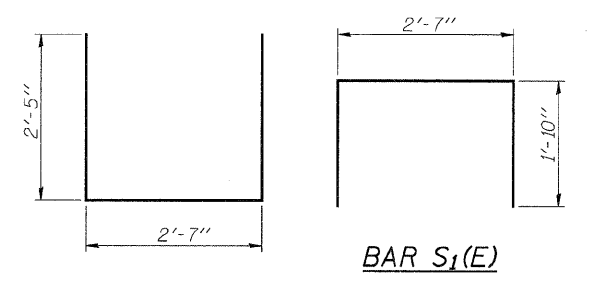
FIXED
NOTE:
All bearing pads shall be 1" thick.
Exterior bearing pads shall be used at crown break.



SECTION A-A



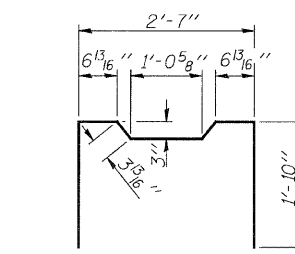
TYPICAL TRANSVERSE TIE ASSEMBLY



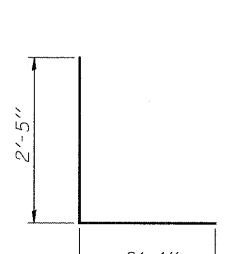
BAR S1(E)



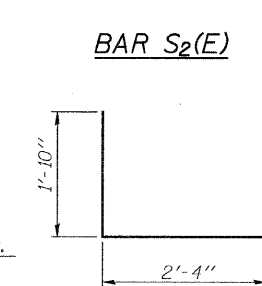
BAR S(E)



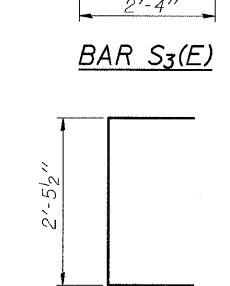
BAR S2(E)



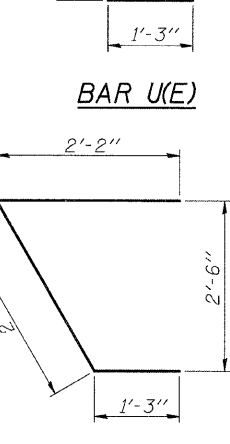
BAR S3(E)



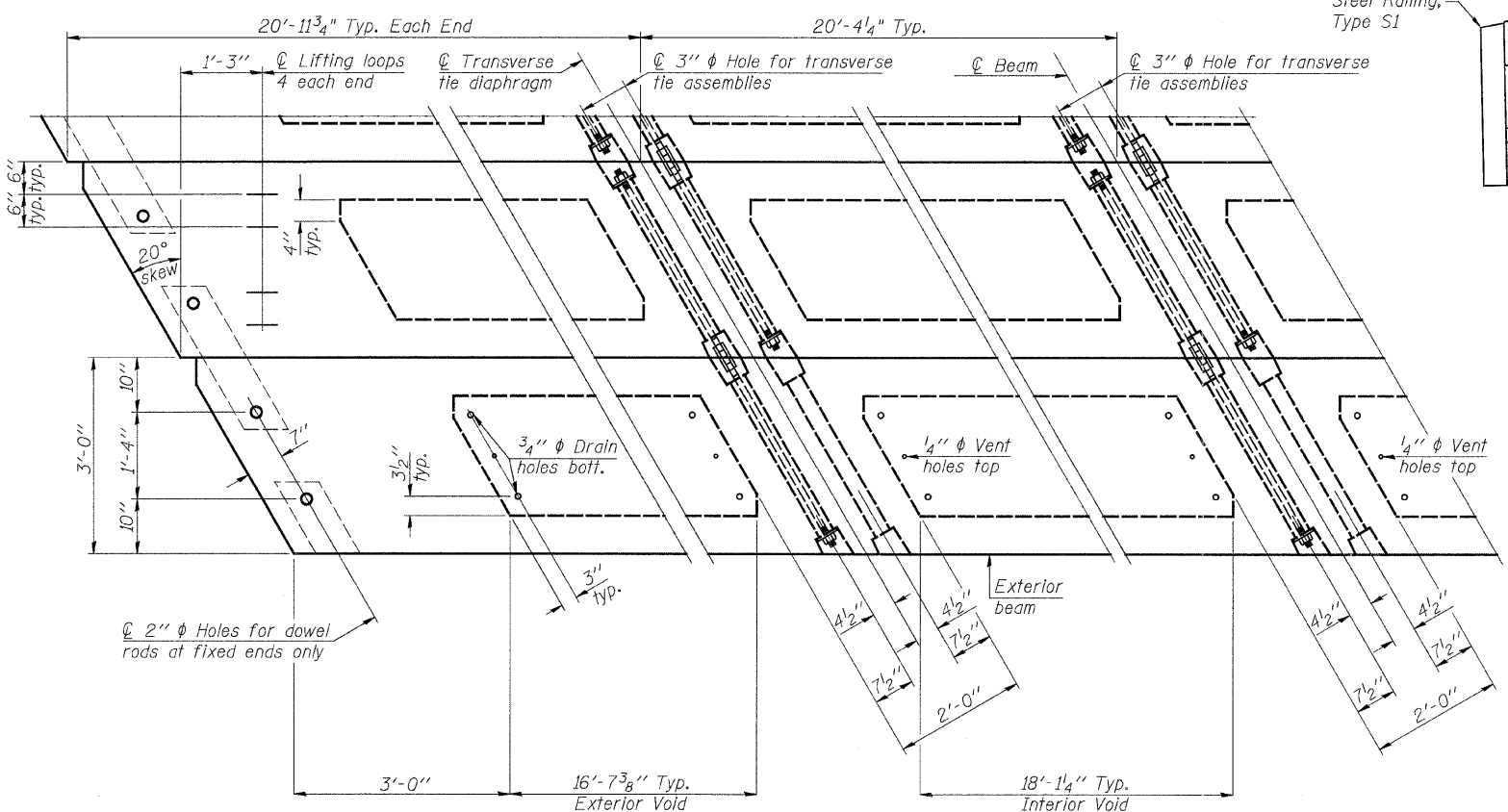
BAR S4(E)



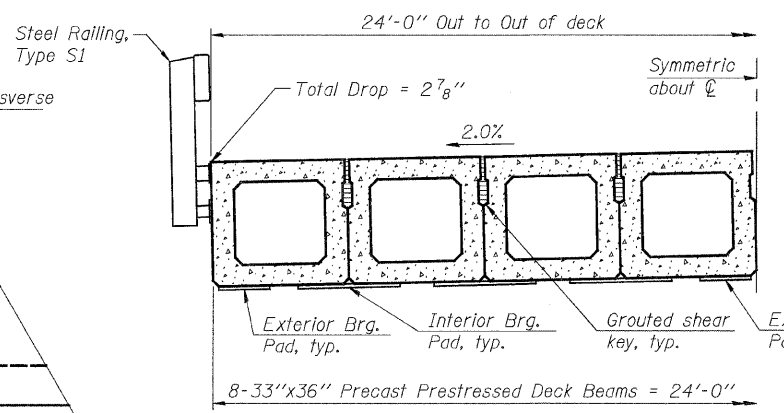
BAR U(E)



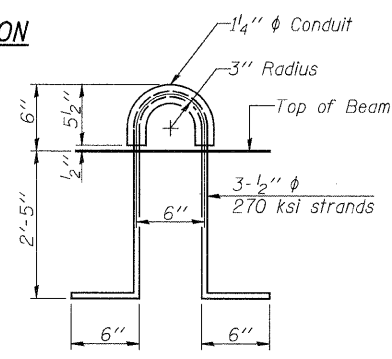
BAR U1(E)



PLAN VIEW

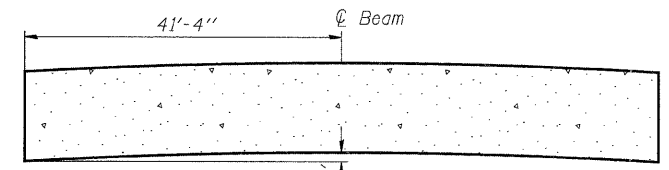


HALF PROPOSED BRIDGE CROSS SECTION
(Looking North)



LIFTING LOOP DETAIL

NOTE:
Connect beams in pairs with the transverse tie configuration shown.
Unused transverse tie hole on exterior beams can be omitted.



CAMBER DIAGRAM

BILL OF MATERIAL

Item	Unit	Quantity
Precast Prestressed Concrete Deck Beams (33" depth)	Sq. Ft.	1,984

NOTES:
Prestressing steel shall be uncoated high strength, low relaxation 7-wire strand, Grade 270. The nominal ϕ shall be $\frac{1}{2}$ " and the nominal cross-sectional area shall be 0.153 sq. in.
The 1" ϕ rods in the transverse tie assembly shall be tightened to a snug fit and the threads set. Pockets on exterior faces of bridge shall be filled with grout after transverse tie assembly is in place.
Reinforcement bars shall conform to ASTM A 706, Grade 60. (See Special Provisions).
Two $\frac{1}{8}$ " fabric adjusting shims of the dimensions of the exterior bearing pad shall be provided for each bearing pad location.
A minimum 2 1/2" ϕ lifting pin shall be used to engage the lifting loops during handling.
Corrosion Inhibitor, per Article 1020.05(b)(12) and 1021.06 of the Standard Specifications, shall be used in the concrete for precast prestressed concrete deck beams.
Compressive strength of prestressed concrete, f'_c , shall be 6,000 psi.
Compressive strength of prestressed concrete at release, f'_{ci} , shall be 5,000 psi.

FILE # SA-PROJECTS\2018\1286D10 - Bureau\Co. TR136\DESIGN\DRAWINGS\1286D10-DeckBeams.dgn

WILLETT HOFMANN
ASSOCIATES INC
ENGINEERING ARCHITECTURE LAND SURVEYING
609 EAST 2ND STREET, DICKON, IL 61031-0367
T: 815-284-3181 DESIGN FIRM: #184-010918

DESIGNED - MICHAEL WAGNER	REVISED -
CHECKED - BRIAN CONVERSE	REVISED -
DRAWN - MICHAEL WAGNER	REVISED -
CHECKED - MEGAN CACKLEY	REVISED -

BUREAU COUNTY
T.R. 136 (1125 E. ST.) OVER FOX CREEK
STATION 20 + 05

33" x 36" PPC DECK BEAM DETAILS
STRUCTURE NO. 006-4235
STRUCTURAL SHEET NO. 4 OF 9 SHEETS

TWP. RTE.	SECTION	COUNTY	TOTAL SHEETS	SHEET NO.
136	10-16115-00-BR	BUREAU	21	12
WHA# 1286D10		CONTRACT NO. 87498		
ILLINOIS FED. AID PROJECT BROS-00110849				