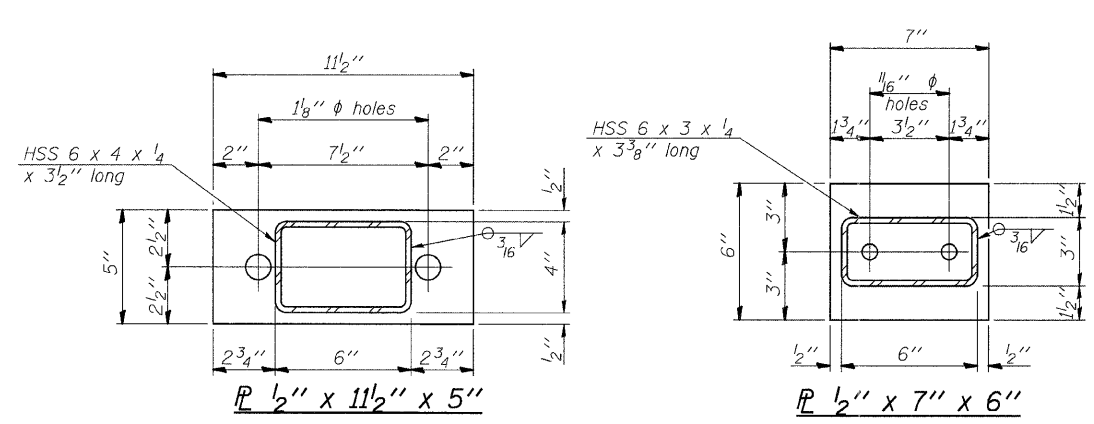
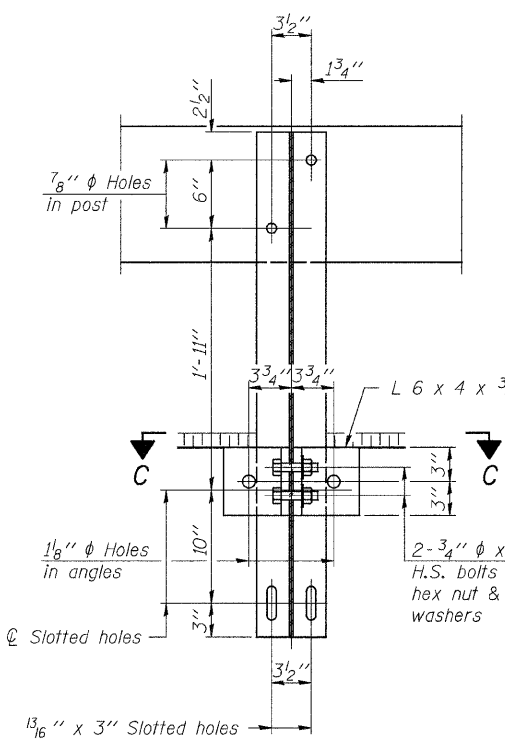
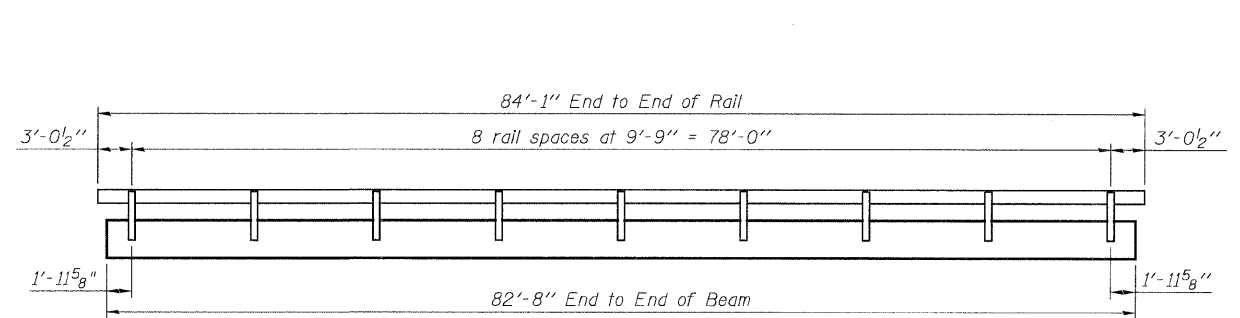


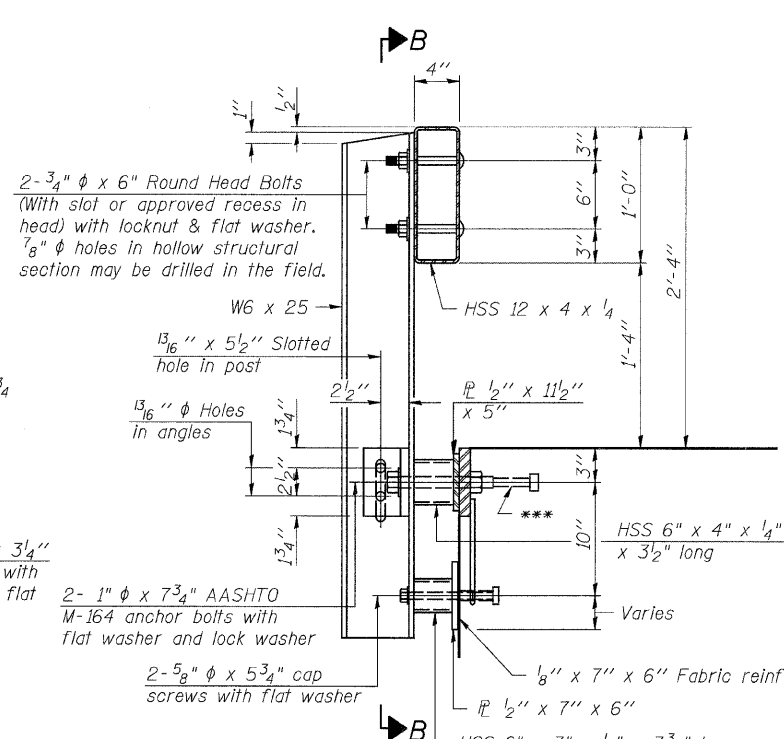
**VIEW A-A  
ROUND HEAD BOLT**



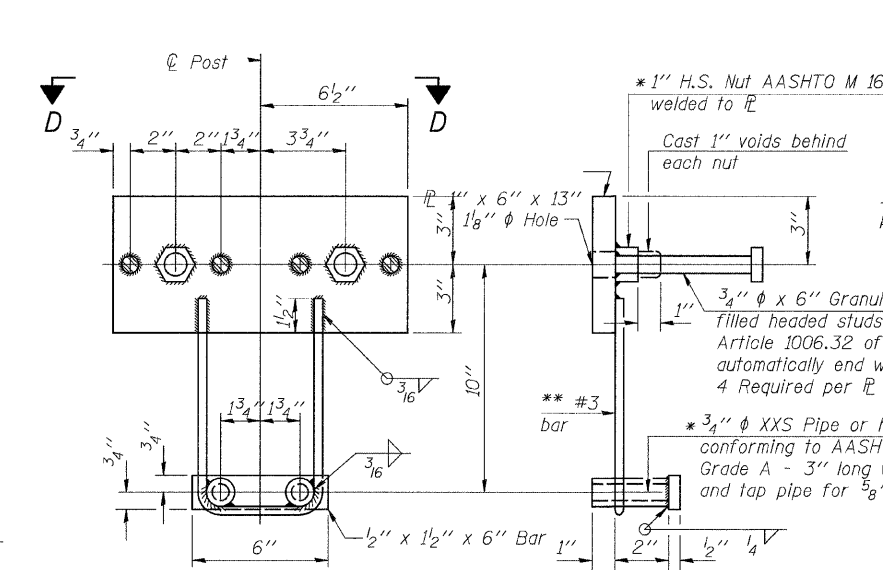
**ELEVATION VIEW**



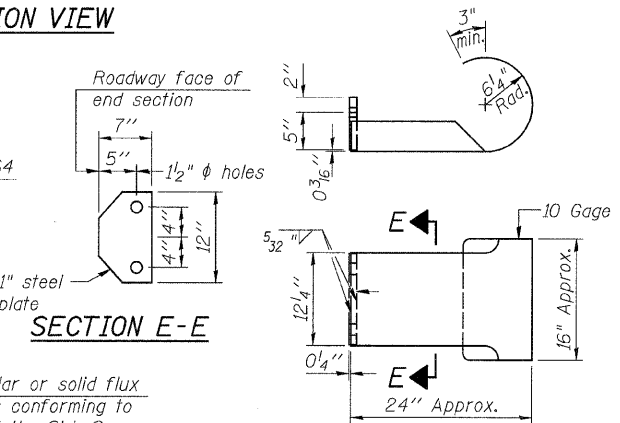
**SECTION B-B**



**SECTION AT RAILING POST**



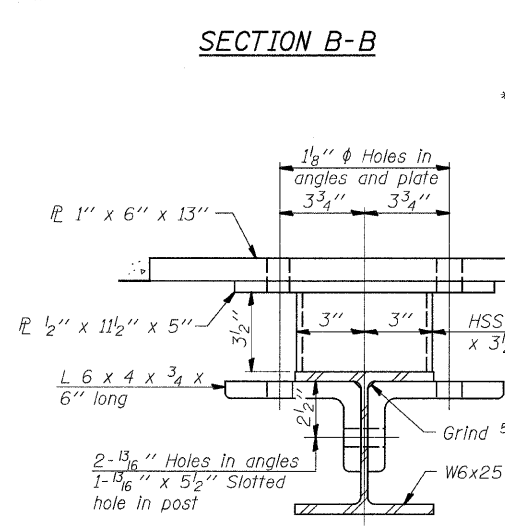
**ANCHOR DEVICE**



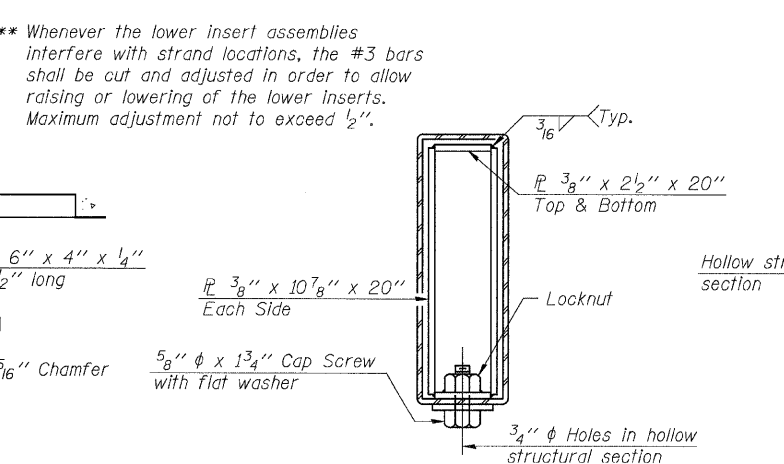
**SECTION E-E**

**CURLED END SECTION DETAILS  
(4 required)**

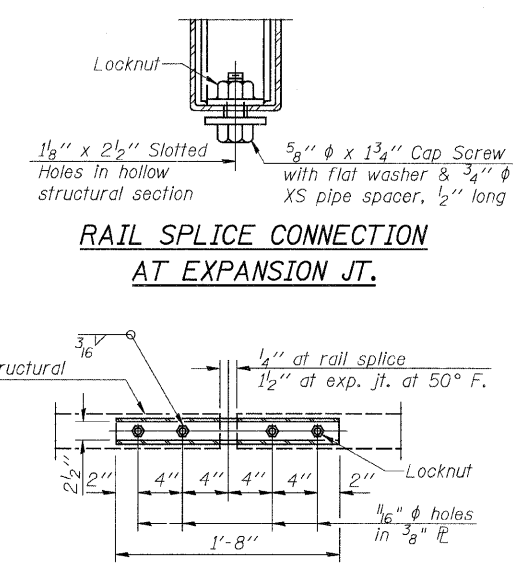
**NOTES:**  
 All field drilled holes shall be coated with an approved zinc rich paint before erection.  
 For multi-span bridges, sufficient 1/4" x 6" x 1'-2" galvanized steel shims shall be provided to align rail between adjacent spans. Cost included with Steel Railing, Type S-1.  
 All steel rail elements shall be galvanized according to Article 509.05 of the Standard Specifications.  
 \*\*\* The studs of the anchor devices shall be placed below the top reinforcement bars and the outermost longitudinal reinforcement bar shall be placed directly above the studs of the rail post anchor device.



**SECTION C-C**

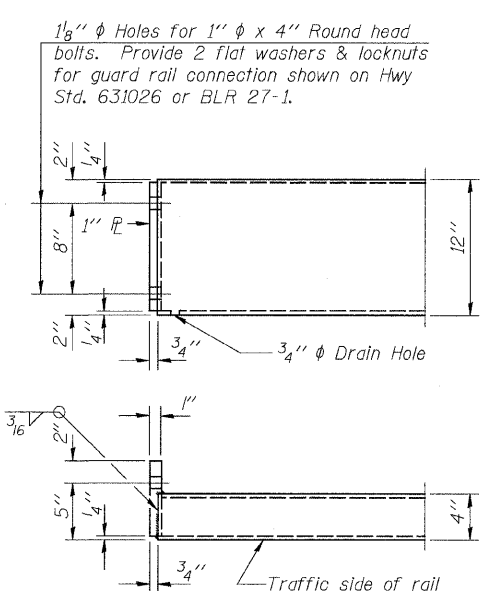


**SECTIONS AT RAIL SPlice**

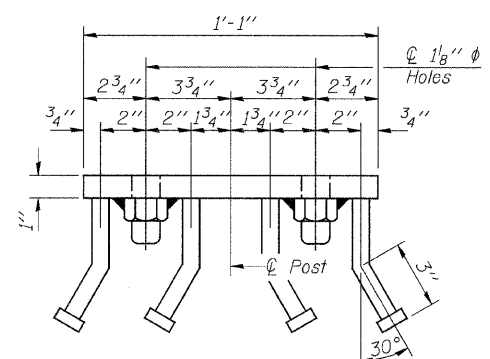


**RAIL SPlice CONNECTION  
AT EXPANSION JT.**

**PLAN-BOTT. SPlice  
TYPICAL**



**END OF RAIL DETAILS**

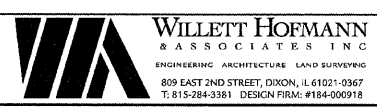


**VIEW D-D**

**BILL OF MATERIAL**

Item	Unit	Quantity
Steel Railing, Type S1	Foot	168

FILE - S:\PROJECTS\2018\1286D10 - Bureau Co. TR136 DESIGN DRAWINGS\1286D10Rail.dgn



DESIGNED - MICHAEL WAGNER	REVISED -
CHECKED - BRIAN CONVERSE	REVISED -
DRAWN - MICHAEL WAGNER	REVISED -
CHECKED - MEGAN CACKLEY	REVISED -

**BUREAU COUNTY  
T.R. 136 (1125 E. ST.) OVER FOX CREEK  
STATION 20 + 05**

**STEEL RAILING, TYPE S1 DETAILS  
STRUCTURE NO. 006-4235**

TWP. RTE.	SECTION	COUNTY	TOTAL SHEETS	SHEET NO.
136	10-16115-00-BR	BUREAU	21	15
WHA# 1286D10		CONTRACT NO. 87498		
ILLINOIS FED. AID PROJECT BR05-00110840				

STRUCTURAL SHEET NO. 7 OF 9 SHEETS