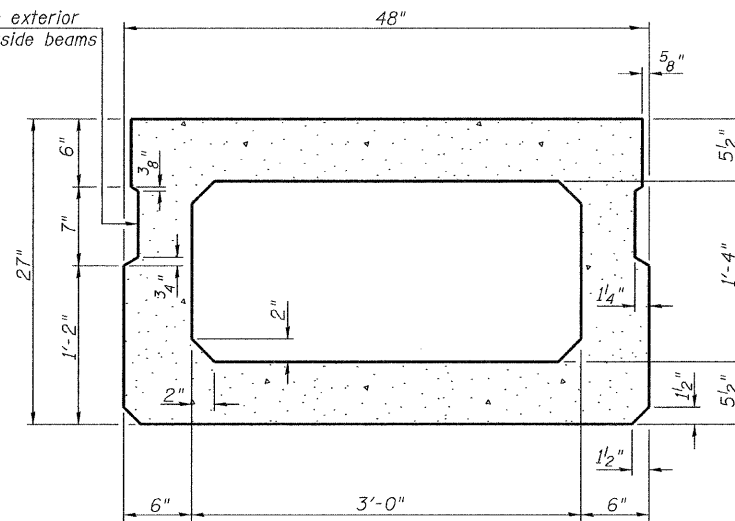
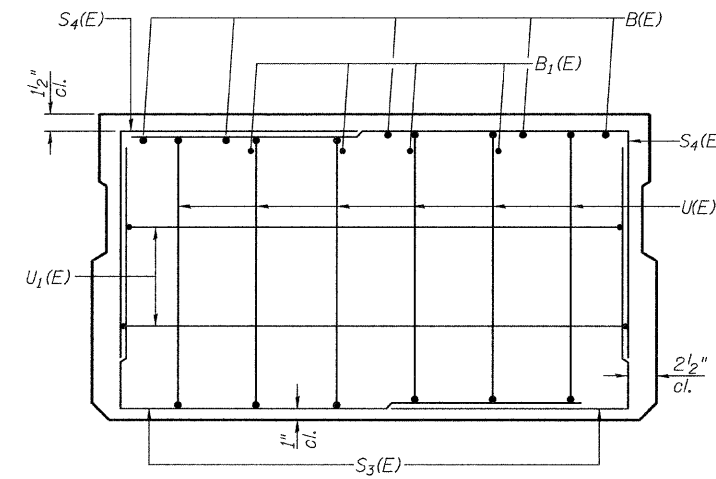


**SECTION C-C**

\*\*Omit key on exterior face of outside beams

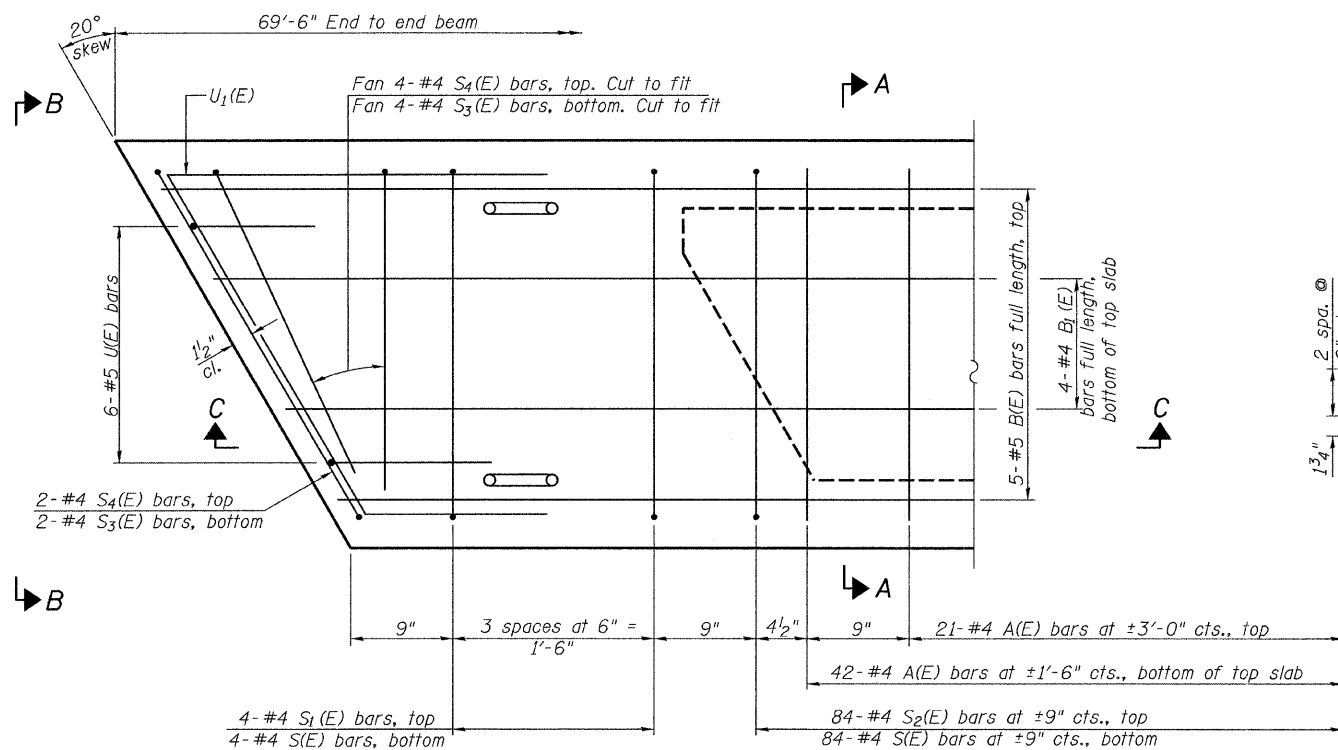


**SECTION A-A**  
(Showing dimensions)

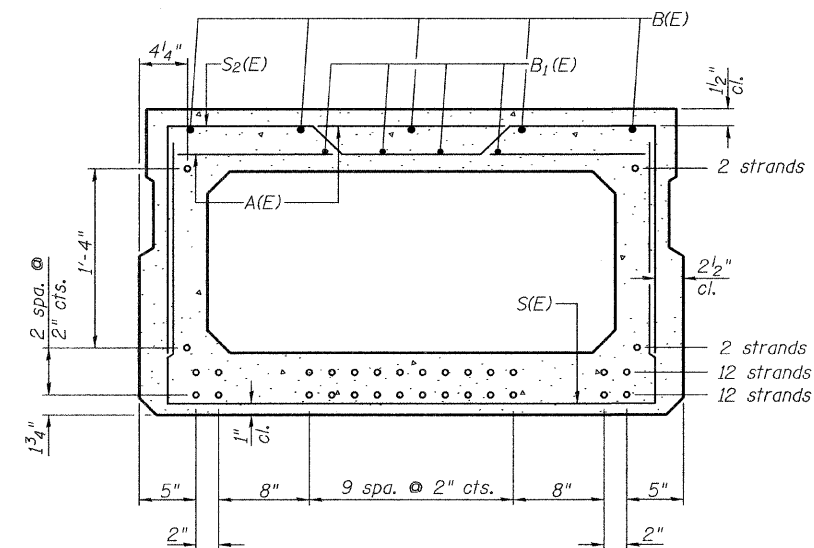


**VIEW B-B**

\*\*Rail post anchor devices (Sheet 4 of 11) to be cast into exterior face of outside beams.



**PLAN VIEW**



**SECTION A-A**

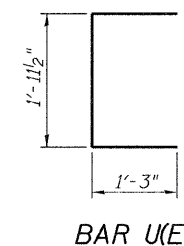
28-1/2" Strands Each Strand Stressed to 30,900 Lbs.  
12-Strands 1 3/4" up, 12-Strands 3 3/4" up,  
2-Strands 5 3/4" up, 2-Strands 1'-9 3/4" up  
Note: Place the number of strands specified in each row symmetrically about the centerline of beam in the permissible strand locations shown.

**BAR S(E)**

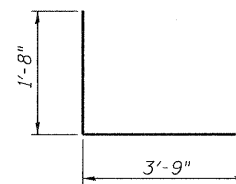
**BAR S2(E)**

**BAR S1(E)**

**BAR S3(E)**



**BAR U(E)**



**BAR S4(E)**

**BAR LIST-ONE BEAM ONLY**

(For information only)

Bar	No.	Size	Length	Shape
A(E)	63	#4	3'-7"	—
B(E)	5	#5	*69'-3"	—
B1(E)	4	#4	*69'-3"	—
S(E)	92	#4	7'-5"	⌋
S1(E)	8	#4	6'-11"	⌋
S2(E)	84	#4	7'-2"	⌋
S3(E)	12	#4	5'-8"	⌋
S4(E)	12	#4	5'-5"	⌋
U(E)	12	#5	4'-6"	⌋
U1(E)	4	#4	7'-6"	⌋

\* Total Length, Lap as necessary

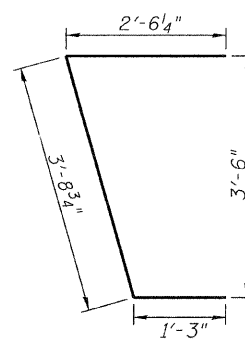
Note: See sheet 2 of 11 for additional details and Bill of Material.

**SUPERSTRUCTURE DETAILS**  
**BUREAU COUNTY**  
**SECTION 11-07119-00-BR**  
**T.R. 55 OVER UNION DITCH**

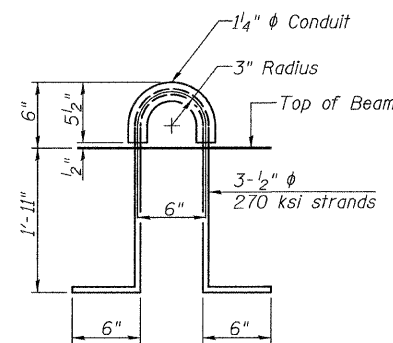
Note: Spacing of S(E) and S2(E) bars may be adjusted up to 4" in the immediate area of the transverse tie diaphragms to miss the block outs for the transverse ties.

**MIN. BAR LAP**

#4 bar = 2'-0"  
#5 bar = 2'-6"



**BAR U1(E)**



**LIFTING LOOP DETAIL**

SHEET NO. 3 11 SHEETS	ROUTE NO. TR 55	SECTION 11-07119-00-BR	COUNTY BUREAU	TOTAL SHEETS 21	SHEET NO. 9
	S.N. 006-4096		CONTRACT NO. 87499		
FED. ROAD DIST. NO. 7		ILLINOIS	FED. AID PROJECT BRS-0011083		