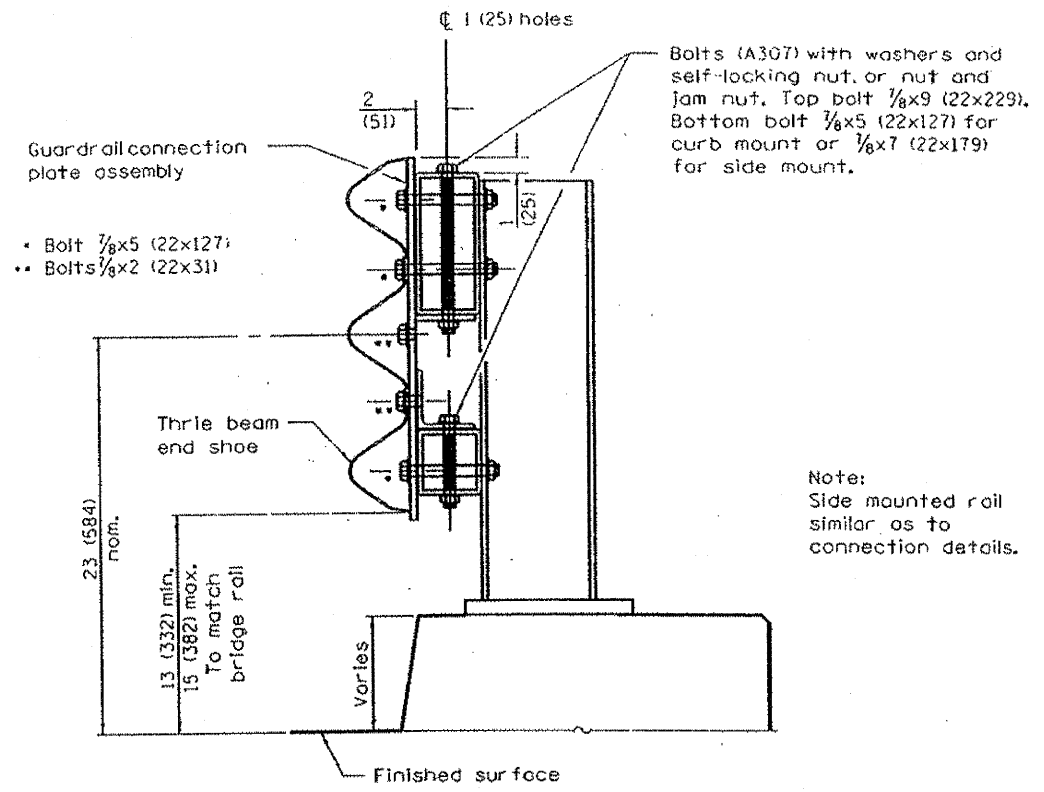
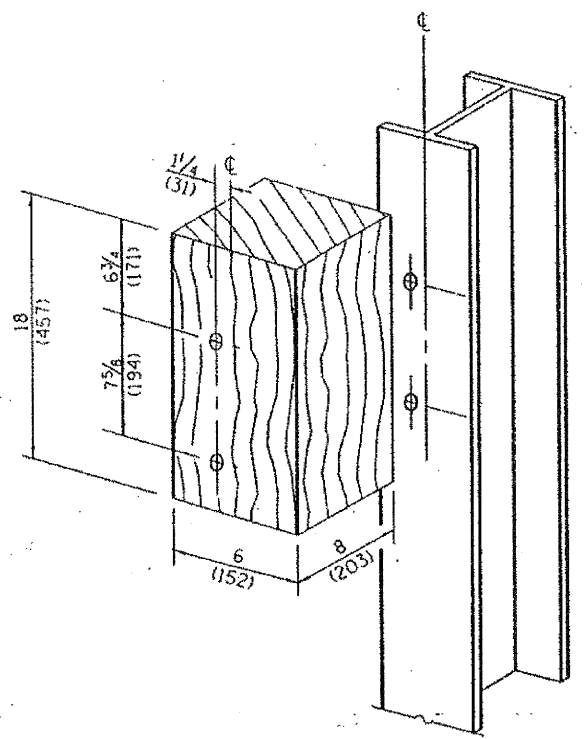


ROUTE NO.	SECTION	COUNTY	TOTAL SHEETS	SHEET NO.
FAS 316	12-00229-01-SP	TROQUOIS	12	10
JOB # C-93-048-12			PROJECT HSIP-0316(111)	
CONTRACT 87518				

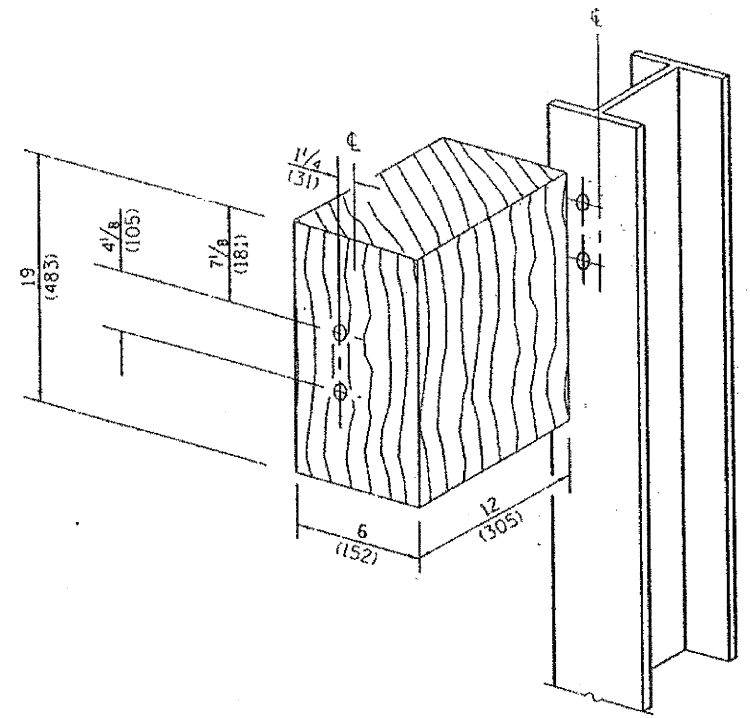


**SECTION C-C**

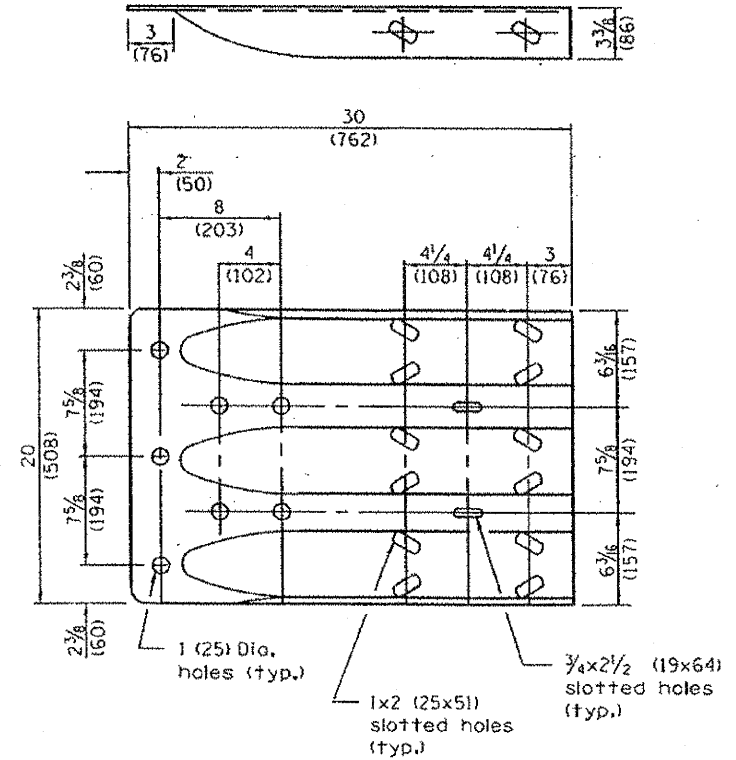
Note:  
Side mounted rail  
similar as to  
connection details.



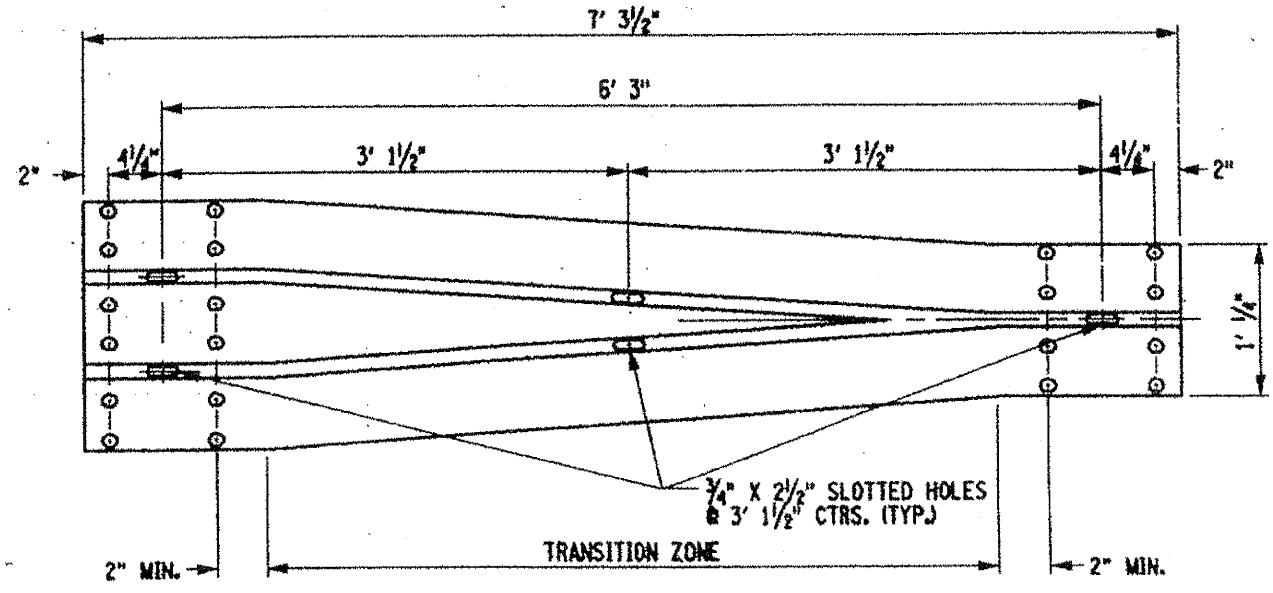
**POSTS 1-11 WOOD BLOCKOUT DETAIL**



**POST 12 WOOD BLOCKOUT DETAIL**  
(See Standard 630001 for post 13-17 blockouts.)



**MODIFIED THRIE BEAM END SHOE DETAIL**



**TRANSITION SECTION**