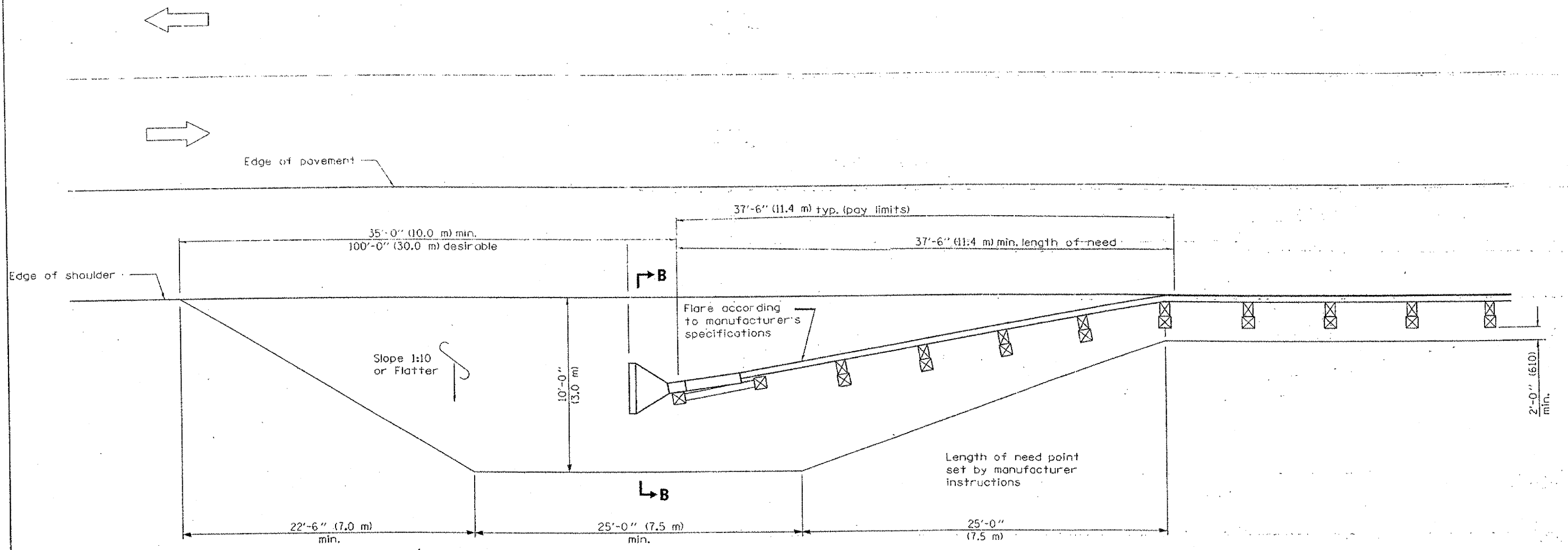
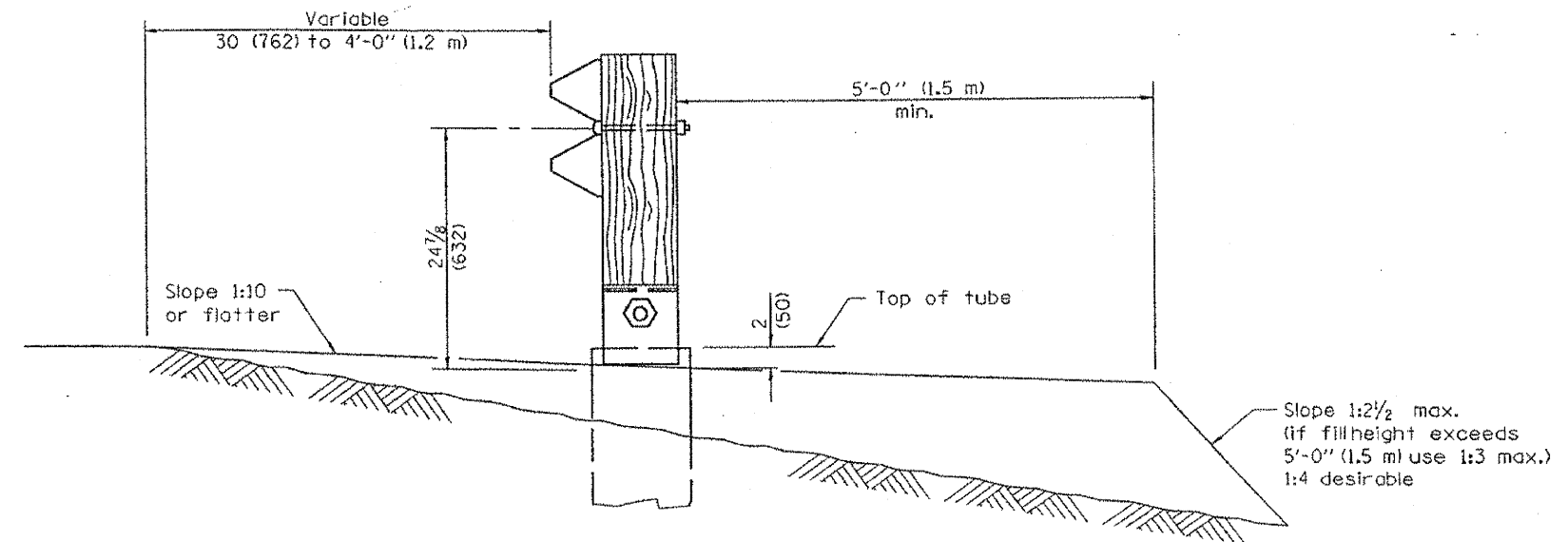


ROUTE NO.	SECTION	COUNTY	TOTAL SHEETS	SHEET NO.
FAS 316	12-00229-01-SP	IRROQUOIS	12	12
JOB # C-93-048-12			PROJECT HSIP-0316(111)	
CONTRACT 87518				



**SHOULDER WIDENING TRANSITION
FOR FLARED TERMINAL**



SECTION B-B
(Impact Head omitted for clarity.)